

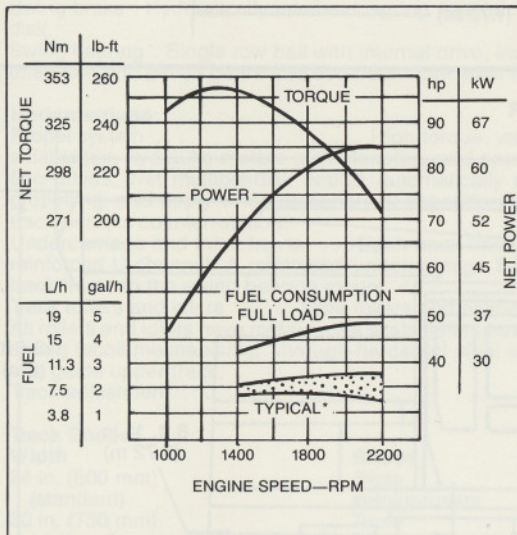


440D SKIDDER



Model shown may include options

ENGINE PERFORMANCE



*Depending on operating variables

FEATURES

- 85 SAE net hp (63.5 kW) John Deere turbocharged diesel
- Articulated-frame power steering
- Automotive-type, position-responsive steering
- Oscillating front axle
- 6-speed Syncro-Range transmission
- Front-axle differential lock
- Wet-disk power service brakes never need adjusting
- Wet-disk parking brake
- Hydraulically actuated winch
- Arch with adjustable roller
- Extended log bumper

ADD VERSATILITY WITH:

- Stacking blade
- Reversible narrow/wide-gauge wheels and tires
- Cab
- Cold weather starting kit
- Lights

440D SKIDDER SPECIFICATIONS

Specifications and design subject to change without notice. Wherever applicable, specifications are in accordance with SAE Standards. Except where otherwise noted, specifications are based on a unit with Syncro-Range transmission, 18.4-26, 10 PR tires, full fuel tank, 175-lb. (80 kg) operator and standard equipment.

Rated Power @ 2200 rpm:	SAE	DIN 70 020
Net	85 hp (63.5 kW)	63.5 kW
Gross	90 hp (67 kW)	

Net engine power is with standard equipment including air cleaner, exhaust system, alternator, and cooling fan, at standard conditions per SAE J1349 and DIN 70 020, using No.2-D fuel @ 35 API gravity. No derating is required up to 10,000 feet (3050 m) altitude. Gross power is without cooling fan.

Engine: John Deere 4-276T

Type	4-stroke cycle, turbocharged diesel
Bore and stroke	4.19 x 5.00 in. (106.5 x 127 mm)
No. of cylinders	4
Displacement	276 cu. in. (4.524 L)
Maximum net torque @ 1300 rpm	253 lb-ft (343 Nm) (35 kg-m)
Cooling fan	Blower
Compression ratio	16.8 to 1
Lubrication	Pressure system w/full-flow filter
Air cleaner	Dry-type w/restriction indicator
Electrical system	12-volt w/42 amp alternator
Battery	Reserve capacity: 180 minutes

Differential:

Front axle with hydraulic-locking differential. Solid rear axle with no differential action.

Transmission: Syncro-Range

Constant-mesh gearing with 6 speeds forward, 3 reverse. Three forward speed ranges with synchronized shifting between low and high within each range. Clutch is 12 inches (305 mm), dry, feramic-faced, pedal-operated.

Travel Speeds (2200 engine rpm, no tire slip):

	mph	km/h
Forward	1.7-14.1	2.7-22.7
Reverse	1.7-8.5	2.7-13.7

Drive Axles:

Four-wheel drive with S2 Series axles. Inboard planetaries on all axles. Front axle oscillates 15 degrees above and below horizontal. Travel at tire center line 20 in. (508 mm).

Steering: Power

Hinged-frame power steering. Position-responsive steering actuated by dual double-acting cylinders. Steering system has hydraulic-pressure priority

Outside clearance circle w/o blade	33 ft. 10 in. (10.3 m)
Outside clearance circle w/blade	34 ft. 10 in. (10.6 m)
Outside clearance circle w/o blade, solid rear axle	37 ft. 3 in. (11.4 m)
Outside clearance circle w/blade, solid rear axle	38 ft. 3 in. (11.7 m)
Steering wheel rotation, max. left to right	3 turns

Brakes:

Service

Hydraulic, power-actuated, pedal-controlled wet-disk brakes. Located on transmission output shaft.

Parking, winching and emergency stop

Hand-operated mechanical wet-disk brake located on driveline for braking front and rear axles. Hydraulic release.

Hydraulic System:

Closed center, constant pressure. Variable-displacement pump driven from crankshaft

25 gpm (1.58 L/s), 2000 psi (13 790 kPa) (140.6 kg/cm²) @ 2200 engine rpm.

Full-flow filtration, 10-micron filter, oil-to-air cooler. Charge pump driven from winch drive.

Hydraulic Cylinders:	Bore	Stroke
Blade lift cylinders (2)	3.50 in. (89 mm)	14.25 in. (362 mm)
Steering cylinders (2)	2.75 in. (70 mm)	14.37 in. (365 mm)
Blade lift rod (2) dia.	1.50 in. (38.1 mm)	
Steering cylinder rod (2) dia.	1.75 in. (44.5 mm)	

Cylinder rods are ground, heat-treated, chrome-plated and polished.

Tires:

16.9-30, 10 PR, steel, LS2, logger
 18.4-26, 10 PR, steel, LS2, logger *LR 26.6 LR-5700*
 18.4-34, 10 PR, steel, LS2, logger *LR 30.4 LR-6450*
 23.1-26, 10 PR, steel, LS2, logger
 28L-26, 10 PR, steel, LS3, logger
 67 x 34.00-26, 10 PR, steel, DT, logger, tubeless

Capacities:

	U.S.	Liters
Fuel tank	41 gal.	155.2
Cooling system	8 gal.	30.3
Engine lubrication, w/filter	15 qt.	14.2
Transmission and hydraulic system	8 gal.	30.3
Front differential	9 gal.	34.1
Rear differential	4.5 gal.	17
Winch	2.5 gal.	9.5

Blade: Hydraulic control

Width	6 ft. 11 in. (2.11 m)
Max. lift above ground level	4 ft. 2 in. (1.27 m)
Max. drop below ground level	11 in. (280 mm)

Cable Arch:

Horizontal roller	6 in. (152 mm) dia.
Vertical rollers (hardened steel)	4.5 in. (114 mm) dia.
Working height settings (top of horizontal roller to ground):	
Settings: Lower	5 ft. 11 in. (1.79 m)
Upper	6 ft. 4 in. (1.94 m)

Winch:

Live mechanical drive; hydraulically actuated clutch and brake. Single lever control.

Winch capacities*

1/2-in. (12.7 mm) cable	223 ft. (68 m)
5/8-in. (15.8 mm) cable	146 ft. (44.5 m)
3/4-in. (19.1 mm) cable	103 ft. (31.4 m)

*Calculated—no allowance made for loose or uneven spooling.

Linepull**:

Bare drum	25,200 lb. (112 kN) (11 400 kg)
Full drum	18,000 lb. (80 kN) (8200 kg)

**Based on maximum engine torque and .75 in. (19 mm) cable.

Line speed (2200 rpm) and .75 in. (19 mm) cable:

Bare drum	131 fpm (39.9 m/min)
Full drum	183 fpm (55.8 m/min)

Additional Standard Equipment:

Alternator warning light	Full steering wheel
Bottom guards, full length	Gauges:
Cable arch w/dual position roller	Electric hourmeter
Canopy (ROPS), brush screens, limb risers	Engine coolant temperature
Cushion seat w/suspension position adjustment and seat belt	Fuel level
Engine oil pressure warning light	Heavy-duty starter
Engine sideshields	Hinge locking bar, two position
Exhaust w/rain deflector	Horn
Extended log bumper	Key switch w/pushbutton safety start
Foot throttle	Muffler
	Parking brake warning light
	Vandal protection for radiator filler cap
	Winch

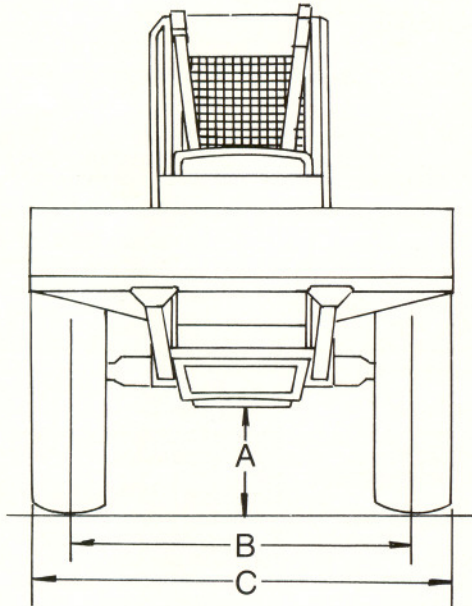
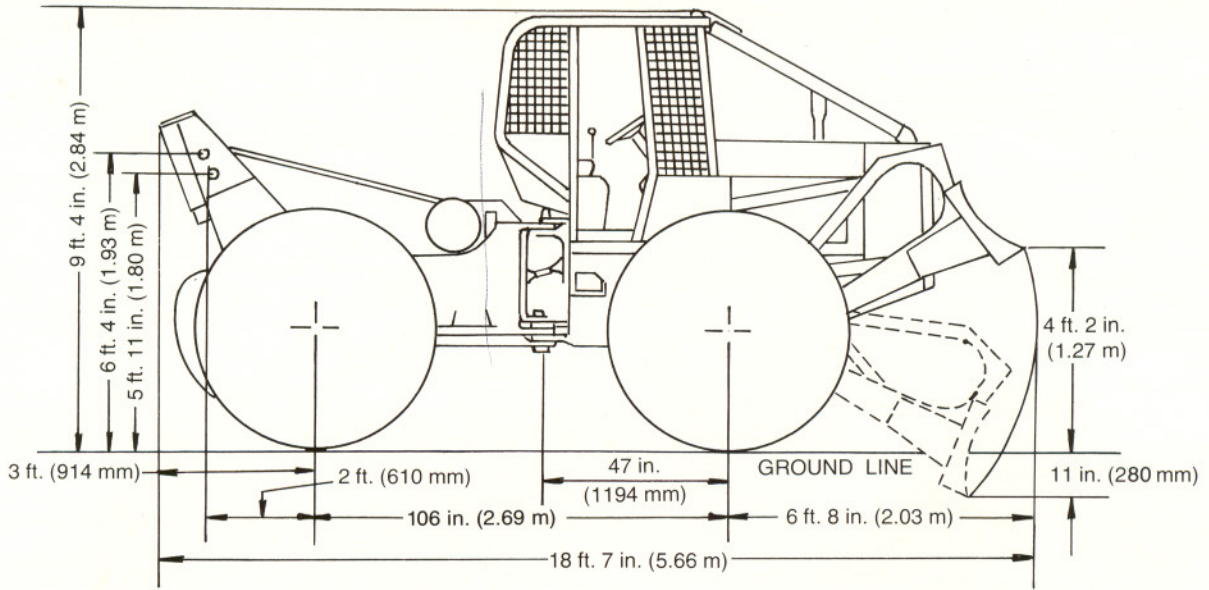
SAE Operating Weight w/Blade	15,090 lb. (6845 kg)
SAE Operating Weight w/o Blade	14,250 lb. (6464 kg)

Optional or Special Equipment:

Cab (ROPS) w/noise treatment, windshield washer and wiper, limb risers	Fire extinguisher
Canopy (ROPS), windows, door, brush screens, limb risers	Hand throttle
Engine coolant heater	Lights, canopy
Cold weather starting package: Batteries (2), 420 min. reserve capacity	Secondary steering system (requires two AR105227 accumulators)
Ether starting aid, electric	Stacking blade
Hand speed control	3-in. (76 mm) seat belt
	Vandal protection for instrument panel and fuel tank
	Winch warm-up kit

440D SKIDDER DIMENSIONS

Sideview dimensions are for skidder equipped with 18.4-26 tires.



TIRE SIZE AND WHEEL TYPE	A GROUND CLEARANCE	B WHEEL TREAD	C OVERALL WIDTH
16.9-30	19 in. (483 mm)	76 in. (1.93 m)	93 in. (2.36 m)
18.4-26 (Standard wheel and tire)	18 in. (457 mm)	76 in. (1.93 m)	95 in. (2.41 m)
18-426 (Narrow-gauge wheel and tire, Type B)	18 in. (457 mm)	66 in. (1.68 m)	85 in. (2.16 m)
18.4-26 (Narrow/wide-gauge wheel and tire, Type A)	Wide-gauge mounting	78 in. (1.98 m)	96 in. (2.44 m)
	Reversed narrow- gauge mounting	66 in. (1.68 m)	85 in. (2.16 m)
18.4-34	22 in. (559 mm)	76.5 in. (1.94 m)	95 in. (2.41 m)
23.1-26	21 in. (533 mm)	82 in. (2.08 m)	106 in. (2.69 m)
28L-26*	22 in. (559 mm)	85 in. (2.16 m)	114 in. (2.90 m)
67 x 34.00-26*	22 in. (559 mm)	85 in. (2.16 m)	117 in. (2.97 m)

*S3 Series special-application axle required.

