

332G

Skid Steer



JOHN DEERE





TAKE IT ALL IN STRIDE

Over the years, we've relied on owners and operators like you to weigh in on what makes our equipment work for the work you do. Inspired — and challenged — by what you pointed out, we've reimagined our large-frame 332G Skid Steer in some pretty big ways. We added more power under the hood. Maximized lift height, dump clearance, reach, stability, and breakout force. And amped-up the options to include your choice of control styles and performance features, onboard grade-indication, and high-flow auxiliary hydraulics. All so you can effortlessly tackle your toughest tasks and come back for more.



Take control your way

Electrohydraulic (EH) ISO-pattern joystick controls that allow customized machine operations based on operator preference come standard. EH four-way controls, including EH foot control, ISO joystick control, H-pattern joystick control, and ISO and foot controls, are optional.

Heavyweight champion

Increased rated operating capacity of 3,600 pounds provides the muscle you need to master heavy loads.

Load warrior

Height to hinge pin of 11 feet enables the 332G to easily load tandem-axle dump trucks, fill hoppers, and feed mixers. Additional reach to truck-bed height comes in handy for moving pallets of pavers or other weighty materials.

Productive performance

Shorten cycle times and speed production in repetitive boom applications with the optional EH boom performance package that automates functions.

Get in the speed zone

Standard two-speed transmission delivers travel speeds of up to 12 miles per hour, for rapid work cycles that push productivity even further.



RELIABLE



PRODUCTIVE

Improve your grades

Optional onboard grade-indication provides a real-time readout of cross-slope (machine roll) and mainfall slope (machine pitch) on the in-cab monitor. Reference **absolute value**, or machine relationship to an absolute flat plane, to easily grade a flat pad. Access **relative value**, or machine relationship to the existing grade, to steepen that grade.

Big ideas that deliver

Large cab entryway with swing-out door, generous foot- and legroom, sealing and pressurization to minimize dust and noise, and adjustable high-back sculpted seat optimize operator comfort. Easy-to-read LCD monitor reveals a wealth of vital operating info and advanced diagnostics.

Seeing is believing

Clear sightlines to the cutting edge and bucket corners, above and below the lift arms, and the jobsite ahead and behind instill confidence in close quarters. Optional LED side lighting and rearview camera further enhance visibility.

Within easy reach

Tilt the hood up for convenient ground-level access to the dipstick, filters, and fuel and fluid fills. Neat freaks and rental yards can appreciate the convenient cab-footwell access that helps speed cleaning.

Packed for productivity

Low center of gravity, 35-degree bucket rollback, optional ride control, and optional hydraulic self-leveling help keep forks loaded and buckets full. Add capacity with up to three sets of rear counterweights.



332G SKID STEER



**OPTIONAL ONBOARD
GRADE-INDICATION
EASES GRADING ON
SLOPES & FLAT PADS**

Versatile connections

Equip your skid steer with your choice of over 100 available John Deere attachments to expand the flexibility of your operation. Increased auxiliary hydraulic flow and power compared to previous models help boost attachment performance.

Safety first

Standard personal-protection features include in-cab-activated boom lock and triple-interlock system that detects the presence of the operator to help keep harm's way at bay.

Remote diagnostics and support

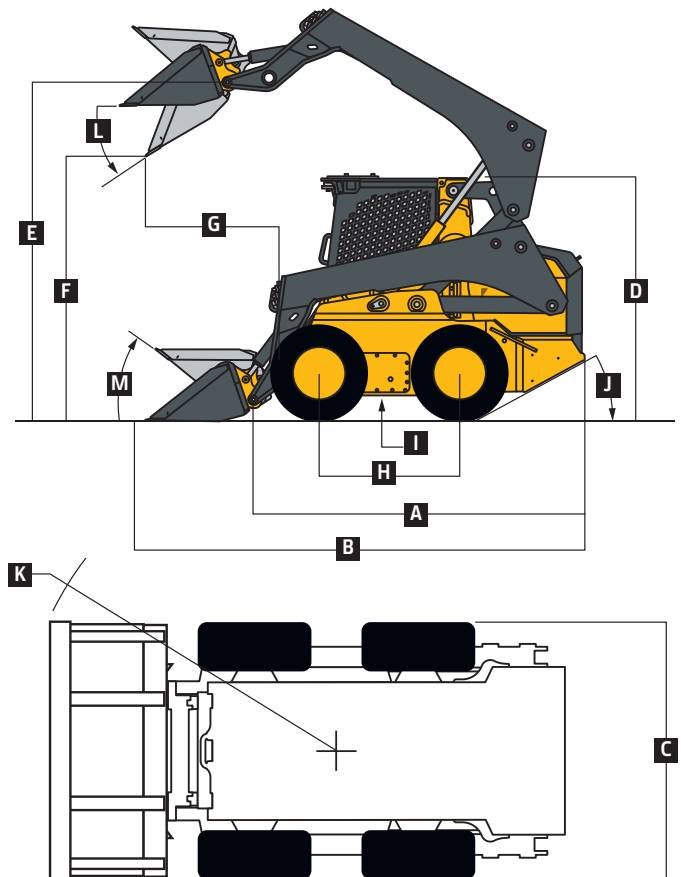
To maximize uptime and lower costs, JDLink™ connectivity provides machine location, utilization data, and alerts to help you maximize productivity and efficiency. JDLink also enables John Deere Connected Support™. Dealers use Expert Alerts based on data from thousands of connected machines to proactively address conditions that may otherwise likely lead to downtime. Your dealer can also monitor machine health and leverage remote diagnostics and programming capability to further diagnose problems and even update machine software without a time-consuming trip to the jobsite.*

*Availability varies by region. Options not available in every country.



332G SKID STEER SPECIFICATIONS

Engine		332G			
Manufacturer and Model	Yanmar 4TNV94FHT	Yanmar 4TNV94CHT	Manufacturer and Model <i>(continued)</i>	Yanmar 4TNV94FHT	Yanmar 4TNV94CHT
Non-Road Emission Standard	EPA Final Tier 4 (FT4)/EU Stage IV	EPA Interim Tier 4 (IT4)/EU Stage IIIB	Non-Road Emission Standard <i>(continued)</i>	EPA FT4/EU Stage IV	EPA IT4/EU Stage IIIB
Cylinders	4	4	Rated Engine Speed	2,500 rpm	2,500 rpm
Gross Rated Power (ISO 14396)	74.6 kW (100 hp) at 2,500 rpm		Torque Rise	39% at 1,700 rpm	39% at 1,700 rpm
Net Peak Power (SAE J1349 / ISO 9249)	72.0 kW (96.6 hp) at 2,500 rpm		Aspiration	Turbocharged, intercooled	Turbocharged, intercooled
Peak Torque	395 Nm (291.3 ft.-lb.) at 1,700 rpm		Air Cleaner	Dry dual element	Dry dual element
Displacement	3.1 L (186.3 cu. in.)	3.1 L (186.3 cu. in.)			
Cooling					
Fan Type	Variable-speed hydraulic drive standard / reversing fan drive optional				
Powertrain					
Type	Electrohydraulic (EH); 4 – 100 heavy-duty (HD) continuous-loop chain				
Travel Speeds					
Low	11.3 km/h (7 mph)				
High	19.3 km/h (12 mph)				
Axles					
Maximum Axle Torque	9289 Nm (6,830 lb.-ft.)				
Tractive Effort	4218 kgf (9,300 lbf)				
Final Drive					
Brakes	High-strength, adjustment-free chains Integral, automatic, spring-applied, hydraulically released, wet-disc park brake				
Hydraulics					
Pump Flow			Hydraulic Horsepower Flow (calculated)		
Standard	95 L/m (25.0 gpm)		Standard	38 kW (50 hp)	
Total With High-Flow Option	156 L/m (41.1 gpm)		High Flow	62 kW (83 hp)	
System Pressure at Couplers	23 787 kPa (3,450 psi)		Auxiliary Hydraulics	Connect-under-pressure with flat-faced couplers	
Cylinders					
Type	John Deere heat-treated, chrome-plated polished cylinder rods, hardened steel (replaceable bushings) pivot pins				
Electrical					
Voltage	12 volt				
Battery Capacity	925 CCA				
Alternator Rating	90 amp				
Lights					
	Halogen: 2 front and 1 rear standard / deluxe LED (4 front and 1 rear) optional				
Operator's Station					
	ROPS (ISO 3471) / FOPS (ISO 3449) structure with quick-pivot standard				
Tires/Wheels					
Standard Tire Size	14 x 17.5 14 PR Hauler				
Serviceability					
Refill Capacity					
Fuel Tank	96.5 L (25.5 gal.)				
Operating Weights					
Base Machine	EPA FT4/ EU Stage IV	EPA IT4/ EU Stage IIIB			
	4540 kg (10,000 lb.)	4495 kg (9,900 lb.)			
Machine Dimensions					
A Length Without Bucket	3.10 m (122.0 in.) (10 ft. 2 in.)				
B Length					
With Foundry Bucket	3.71 m (146.0 in.) (12 ft. 2 in.)				
With Heavy-Duty Construction Bucket	3.96 m (155.9 in.) (13 ft. 0 in.)				
C Width Without Bucket	1.99 m (78.4 in.) (6 ft. 6 in.)				
D Height to Top of ROPS	2.19 m (86.3 in.) (7 ft. 2 in.)				
E Height to Hinge Pin	3.35 m (132.0 in.) (11 ft. 0 in.)				
F Dump Height					
With Foundry Bucket	2.69 m (106.1 in.) (8 ft. 10 in.)				
With Heavy-Duty Construction Bucket	2.50 m (98.6 in.) (8 ft. 3 in.)				
G Dump Reach					
With Foundry Bucket	0.71 m (28.0 in.)				
With Construction Bucket (no edge)	0.88 m (34.6 in.)				
H Wheelbase	1.27 m (49.9 in.) (4 ft. 2 in.)				
I Ground Clearance	0.25 m (9.7 in.)				
J Angle of Departure	29 deg.				
K Front Turn Radius With Foundry Bucket	2.18 m (85.7 in.) (7 ft. 2 in.)				
L Dump Angle (full lift height)	48 deg.				
M Bucket Rollback (ground level)	35 deg.				



While general information, pictures, and descriptions are provided, some illustrations and text may include product options and accessories NOT AVAILABLE in all regions, and in some countries products and accessories may require modifications or additions to ensure compliance with the local regulations of those countries.

Loader Performance	332G	
	EPA Final Tier 4/EU Stage IV	EPA Interim Tier 4 /EU Stage IIIB
Tipping Load	3269 kg (7,200 lb.)	3269 kg (7,200 lb.)
SAE Rated Operating Capacity	1634 kg (3,600 lb.)	1634 kg (3,600 lb.)
With Optional Set of Counterweights	1703 kg (3,750 lb.)	1703 kg (3,750 lb.)
Boom Breakout Force		
With Foundry Bucket	3865 kg (8,520 lb.)	3746 kg (8,250 lb.)
With Heavy-Duty Construction Bucket	3519 kg (7,750 lb.)	3519 kg (7,750 lb.)
Bucket Breakout Force		
With Foundry Bucket	6307 kg (13,904 lb.)	6243 kg (13,750 lb.)
With Heavy-Duty Construction Bucket	4200 kg (9,250 lb.)	4200 kg (9,250 lb.)

Additional equipment

Key: ● Standard ▲ Optional or special

See your John Deere dealer for further information.

332G Engine

- Meets EPA Final Tier 4/EU Stage IV emissions
- ▲ Meets EPA Interim Tier 4/EU Stage IIIB emissions
- ▲ Yanmar 4TNV94FHT
- ▲ Yanmar 4TNV94CHT
- Auto-idle
- Automatic fan tensioner
- Automatic preheat
- Electronic injection system
- ▲ Engine air precleaner kit
- Fuel tank, 96.5 L (25.5 gal.)
- John Deere COOL-GARD™ II Extended-Life Engine Coolant
- John Deere Plus-50™ 10w30 initial engine oil fill[§]
- 4-cylinder 74.6 kW (100 gross hp)/72.0 kW (96.6 net hp), 3.1-L (186.3 cu. in.) displacement
- 5-micron primary fuel filter and water separator
- ▲ Cold-weather starting package

Cooling System

- Coolant surge tank
- Variable-speed hydraulically driven fan cooling system
- ▲ Reversing fan drive

Powertrain

- High-strength adjustment-free final-drive chains
- Automatic spring-applied hydraulically released wet-disc park brake
- Wet-disc brakes
- Transmission, 2 speed

Hydraulic System

- John Deere hydraulic cylinders with cushioned boom cylinders
- John Deere heat-treated, chrome-plated cylinder rods with replaceable bushings
- Connect-under-pressure auxiliary couplers
- Quick-check hydraulic fluid-level sight glass
- 1,000-hour, 5-micron hydraulic filter
- ▲ High-flow hydraulics
- Axial-piston hydrostatic pump

Electrical

- Automatic engine/hydraulic shutdown protection system
- Auxiliary hydraulics operator-presence system
- Courtesy lighting

332G Electrical (continued)

- Deluxe instrumentation EMU with: Operator-selectable monitoring – Hour meter, engine rpm, battery voltage, diagnostics, EMU configuration, engine coolant temperature, hydraulic oil temperature / LED warning indicators – Glow plug, seat switch, seat belt, door open, auxiliary hydraulics, park brake engaged, 2-speed engaged, stop, low engine oil pressure, engine coolant over-temperature, battery not charging, air filter restriction, and hydraulic filter restriction
- ▲ Deluxe LED lighting package with additional cab-integrated side lights (2)
- Front and rear halogen work lights
- Triple-interlock operator-presence control system
- Backup alarm
- Battery, 925 CCA
- ▲ Hazard warning lights
- ▲ Strobe light, amber
- Horn

Operator's Station

- Deluxe cab headliner
- Electrohydraulic (EH) ISO-pattern joystick controls
- ▲ ISO-H switchable joystick controls and EH joystick performance package*
- ▲ EH 4-way controls include EH foot control, ISO joystick control, H-pattern joystick control, and ISO and foot controls
- ▲ ISO controls with programmable detents and EH boom performance package;[†] also includes EH joystick performance package*
- ▲ Onboard grade indication: Grade-control option delivers onboard readout within LCD monitor that provides slope of blade (cross-slope direction) and main-fall (fore/aft direction) within ±0.5-percent accuracy
- ▲ Keyless-start sealed-switch module with integrated anti-theft system and operator memory preference settings
- Electronic push-button auxiliary controls
- Pull-down adjustable lap bar
- Quick-pivot ROPS
- Rear window
- Removable top window
- ▲ Sliding/locking/removable glass side windows
- ROPS/FOPS operator structure
- ▲ Glass cab enclosure
- Seat belt, 51 mm (2 in.), retractable
- ▲ Shoulder belt, 51 mm (2 in.) or 76 mm (3 in.)

332G Operator's Station (continued)

- ▲ Severe-duty cab door and wiper system
- Water-shedding deluxe vinyl suspension seat
- ▲ Deluxe vinyl suspension seat
- ▲ Air-ride cloth, heated seat
- ▲ Air-ride vinyl seat
- 12-volt power port / Dome light / Cargo storage / Beverage holder
- ▲ Air conditioning with heater/defroster
- ▲ AM/FM radio with auxiliary input and Bluetooth® for audio streaming
- ▲ Floor mat with left footrest
- Rearview mirror
- ▲ Rearview camera

Loader

- In-cab boom lockout to secure loader before exiting seat
- Patented John Deere Quik-Tatch™ (no grease required)
- ▲ Power Quik-Tatch
- Patented John Deere vertical-lift boom
- ▲ Hydraulic self-leveling on/off and ride control

Other

- Convenient front and rear tie-downs
- Environmental drains for all fluid reservoirs
- ▲ 14 x 17.5 12 PR Extra Wall
- 14 x 17.5 14 PR Hauler
- ▲ Chrome exhaust stack
- ▲ Engine oil/hydraulic fluid-sampling kit
- ▲ Forestry protection packages
- ▲ Heavy-duty rear grille
- ▲ Rear counterweights (available in sets of 1, 2, or 3), 78 kg (172 lb.) (each set)
- ▲ Single-point lift kit
- ▲ SMV sign kit
- ▲ Spare tire and wheel
- ▲ Tire options: SKS Extra-Wall, Galaxy Beefy Baby III, Galaxy Hulk, and Brawler Solid-Flex
- ▲ JDLink™ wireless communication system (available in specific countries; see your dealer for details)

[§]500-hour engine oil-change intervals when John Deere Plus-50 oil and John Deere oil filter are used.

*EH joystick performance package features switchable accelerator/ decelerator, selectable propel speeds, creep control, boom- and bucket-speed settings, and 12-volt 3- and 14-pin attachment-control harness with dash-mounted 4th-function rocker switch.

[†]EH boom performance package features include EH bucket self-level up and down, return to dig, return to carry, and boom height kick-out.

While general information, pictures, and descriptions are provided, some illustrations and text may include product options and accessories NOT AVAILABLE in all regions, and in some countries products and accessories may require modifications or additions to ensure compliance with the local regulations of those countries.

Net engine power is with standard equipment including air cleaner, exhaust system, alternator, and cooling fan, at standard conditions per SAE J1349 and DIN 6270B, using No. 2-D fuel at 35 API gravity. Gross power is without cooling fan. Specifications and design subject to change without notice. Wherever applicable, specifications are in accordance with SAE standards. Except where otherwise noted, these specifications are based on a unit with standard equipment, full fuel tank, and 79-kg (175-lb.) operator.



DKAGSS332 (22-10)



JOHN DEERE