

TRACKED HARVESTERS

703JH / 753JH / 759JH / 903KH / 909KH



JOHN DEERE





	703JH	753JH	759JH	903KH	909KH
Engine power	135 kW (181 hp)	180 kW (241 hp)	180 kW (241 hp)	224 kW (300 hp)	224 kW (300 hp)
Operating weight	23 650 kg (52,140 lb.)	23 900 kg (52,690 lb.)	27 180 kg (59,940 lb.)	30 300 kg (66,800 lb.)	36 140 kg (79,690 lb.)
Tractive effort	256 kN (57,600 lbf)	256 kN (57,600 lbf)	256 kN (57,600 lbf)	331 kN (74,300 lbf)	331 kN (74,300 lbf)
Best applications	Thinning, regeneration, and swamp operations	Thinning, regeneration, and swamp operations	Thinning, regeneration, and steep ground operations	Thinning and regeneration	Thinning, regeneration, and steep ground operations
Waratah head model	H480C, HTH616C, HTH622B	HTH616C, HTH622B, HTH623C	HTH616C, HTH622B, HTH623C	HTH622B, HTH623C, HTH624C, HTH625C	HTH622B, HTH623C, HTH624C, HTH625C



Brawn. And brains.

No doubt our forest-tough tracked harvesters are hard workers. But who says that to be more productive, you have to choose between working harder and smarter? With an efficient multifunctional hydraulic system commanding abundant hydraulic muscle, John Deere tracked harvesters do both. Fuel-efficient PowerTech™ engines deliver the power you need to move, swing, and harvest faster. Intelligent power-management system ensures no power is wasted, for smooth multifunction performance. Other smart features include full integration with “plug-and-play” Waratah heads. Spacious, well-appointed cabs. Exceptional reliability and uptime. And quick, wide-open service access, simplified maintenance, and low daily operating costs. Add it all up, and a John Deere harvester is a wise choice.

Ready when you are.

If you are looking to add a real go-getter to your workforce, add a 700JH-Series Harvester. The machine's exceptional maneuverability, impressive swing torque, and wide cutting swath enable superb harvesting performance. And its powerful, efficient multifunctional hydraulic system delivers generous flow to the harvesting head for superior delimiting pressure and feed speed. High flow to the main circuits ensures ample power across the board. Hydraulic prioritization means no waiting for power — or oil — so you can get more done, faster and with more precision. And these harvesters are not only always ready, they're very steady. The 759JH's industry-leading Shift-Tilt™ leveling system provides a solid foundation for working on steep slopes. And the larger U7 undercarriage option for the 753JH provides more stability in rugged terrain.

With impressive 54 233-Nm (40,000 lb.-ft.) swing torque, the boom swings into position quickly, ready and waiting to make the next cut — so operators can harvest more efficiently.

The harvester's impressive tractive-effort-to-weight ratio and soft footprint allow you to process wood quickly and efficiently — even in swampy or super-steep areas.

With their exceptionally wide cutting swath, 700JH-Series Harvesters allow operators to make more cuts with less travel, maximizing cutting time and increasing your operation's overall productivity.

Pressure-compensated, load-sensing hydraulics deliver smooth, predictable multifunction operation. The hydraulic system prioritizes power loads, ensuring essential tasks like feed speed always have enough dedicated flow. Cuts happen as fast as you can make them.





Hydraulics run cooler and more efficiently, so pumps last longer and your machine runs longer with less downtime for maintenance.

The optional Flexaire fan system automatically reverses at periodic intervals, clearing leaves, dust, and other debris from the cores to keep the machine running cool.

Choose from four top-of-the-line Waratah attachments. Each harvester head is "plug-and-play" ready to work with your John Deere harvester.



The worst of the woods brings out its best.

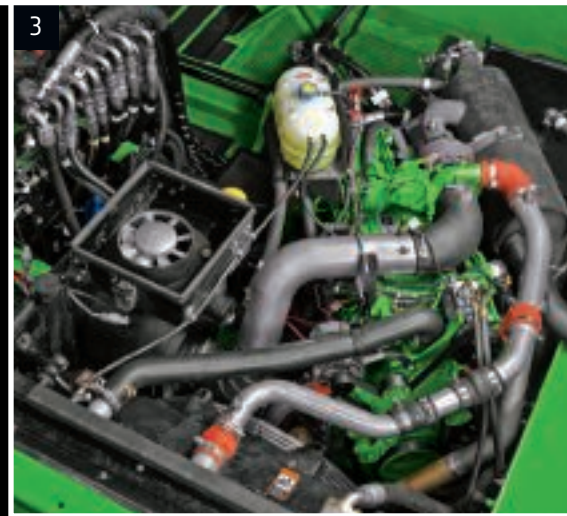
The 900KH-Series Harvester is built to take on whatever the woods throws your way. Its beefier new boom bolsters reliability, and optional thru-nose plumbing routs hoses out of harm's way. The large-displacement 9.0L (549 cu. in.) engine delivers the power needed to get the job done quickly and efficiently, while conserving fuel. The hydraulically driven on-demand fan further reduces fuel consumption and reverses periodically to keep everything running cool. Plus the sealed-switch module provides fingertip control of features and functions. And a multifunction LCD color monitor allows quick push-button access to a wealth of machine info and superior onboard diagnostics — to keep your operation up and running, and bring out your operator's best.



1. Easy-to-navigate and intuitive CommandCenter™ advanced display unit presents operating, diagnostic, and maintenance info on a color LCD screen with easy-on-the-eyes clarity. Well-lit for night use and starts up immediately — even in cold weather.

2. Sealed-switch module keeps out dust, moisture, and debris, so it virtually never wears out. Proven marine-grade touchpad eliminates rocker switches, numerous wires, and unsealed connections, and lasts 10 times longer than standard dash switches.

3. The 9.0L (549 cu. in.) engine delivers unmatched performance, providing 224 kW (300 hp) to make lifting, swinging, and tracking easier. Opt for the 246-kW (330 hp) engine for even more power. And the 1080L (285 gal.) fuel tank lets you get more done between fill-ups.



From adjustable thrust bearings that keep the tilt mechanism tight, to in-tank hydraulic filtration that reduces changes and downtime, the KH-Series is as reliable as it is rugged.

Protected undercarriage delivers maximum durability for long life, while double-flange rollers help ensure a smooth ride.

Auto-idle conserves fuel during non-productive times.

Hydraulically driven fan runs only as needed to keep fuel consumption and noise levels down. Fan automatically reverses at periodic intervals to clear leaves, pine straw, and other debris from the grille, for better airflow to the engine.

The engine and pump enclosure can be easily accessed via a walkway from the cab (standard on 909KH, optional on 903KH), so you don't have to climb around the machine to perform maintenance.

The redesigned boom extends maximum reach almost a foot for more efficient and productive cutting. Increasing the cutting swath by eight percent enables superb harvesting performance.

Top-of-the-line Waratah harvesting heads keep you running longer, better.

High-torque dual-swing motors give you all the brawn you need. The power-management system ensures no horsepower is wasted, for smooth multifunction operation.

This comfortable workspace provides plenty of space to work.

No one would ever accuse a logger of having a cushy job. But working from the new lumbar-supported seat of a John Deere 900KH-Series Harvester, your operator will be much more comfortable and productive. A wide expanse of glass provides outstanding all-around visibility. Other fatigue-beating amenities include an AM/FM/CD/AUX radio, a powerful HVAC system, two 12-volt power ports, generous storage space for cell phones and other carryons, bright cab lighting, and an optional air-ride seat. Our harvesters have everything your loggers need to do their best, even at the end of a 12-hour workday.

The isolation-mounted cab reduces noise and vibration while smoothing the ride on rough terrain, substantially reducing fatigue.

New lumbar-supported seat adjusts multiple ways for daylong comfort, while delivering more legroom. Padded armrest and joysticks have been repositioned to improve ergonomics and help beat fatigue.

Refined shape and tension controls of the foot pedals improve operator “heel-toe” control.

Powerful HVAC system with automotive-style adjustable louvers helps keep the glass clear and the cab comfortable in any weather.

All-around visibility is virtually unobstructed, with a wide expanse of tinted polycarbonate front and side glass, and a skylight, and, on the 909KH, a bottom window (optional on the 903KH).





1. Backlit gauges on the 700JH-Series Powerview™ monitor provide quick at-a-glance access to engine coolant temp, fuel levels, hydraulic oil temps, tachometer, and more. State-of-the-art diagnostics help speed troubleshooting and decrease downtime.



2



3

2. Joysticks and low-effort controls with backlit indicators are conveniently located within the adjustable armrests.

3. Refined harvester integration on 900KH-Series machines includes a factory-mounted keyboard, mouse, key switch, and USB port. So you'll have everything you need to put more productivity within comfortable reach.

Get where you need to go — our harvesters can handle steep grades, stumps, and sloping terrain.

Shift-Tilt leveling system on 700JH-Series machines provides superb stability for cutting on difficult slopes. Four-way leveling system shifts the upperstructure a full three feet forward, optimizing the machine's center of gravity on steep inclines.

900KH-Series' best-in-class leveling system keeps the upper frame parallel to the ground, even when the tracks are climbing or tilting. The system tilts 26 degrees forward, seven rearward, and 14 on either side, keeping the operator in a comfortable, level position.





Does it level best to help you do yours.

Even on steep inclines and rough terrain, John Deere tracked harvesters stay levelheaded and never lose their cool. The industry-leading leveling systems keep you steady, centered, and parallel to the ground — even when climbing or tilting — so you can work a wider area. And stay focused on harvesting, not on fighting gravity.



Top-of-the-line heads help you get ahead.

Well-known for their durability, reliability, and precision, industry-leading Waratah heads help you optimize harvesting productivity and uptime. From processing at the landing to harvesting at the stump, you can reliably maximize production, while getting the highest-value cut per stem. From our integrated “plug-and-play” wiring to our factory-installed hydraulic system, our tracked harvesters are designed specifically for Waratah equipment.

The John Deere carrier and Waratah head combo goes through no-holds-barred testing to ensure compatibility and reliability in even the toughest forest environments. With structural and hose-routing improvements, top-of-the-line Waratah harvesting heads will keep you running longer, better.

Increased horsepower and generous hydraulic flow to the attachment maximize grabbing pressure and increase speed.

1. With several head options available — all with fully integrated “plug-and-play” wiring and plumbing — your operational capabilities have never been broader.

2. Waratah’s TimberRite™ measuring control system helps you monitor your harvester head to ensure maximum productivity. Manage your workload through intelligent control systems, real-time information access, and wireless data transfer, all from the cab of the machine.

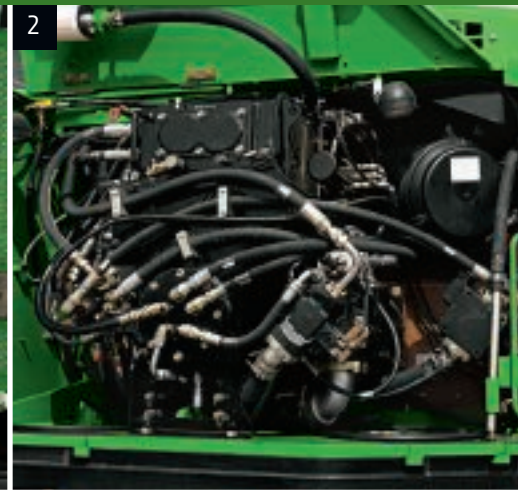




Cutting timber isn't the only thing it does well.

John Deere tracked harvesters excel at cutting costs, too. Everything about them is designed to lower daily operating costs, minimize maintenance, and increase uptime. Take the heavy-duty cooling system, for example. It runs only as fast or as often as needed, reducing fuel consumption. Deere diesels deliver best-in-class fuel efficiency, further minimizing fuel costs. Easy, wide-open access to service points makes quick work of daily checks, while a clean and organized hydraulic-component layout helps simplify periodic maintenance. And with hundreds of dealer locations across North America, you're never far from industry-leading service and support.

1. The 700JH-Series' optional Flexaire system runs only as fast or as often as needed, reducing fuel consumption and wear-causing debris through the cooler cores.
2. Streamlined, easily accessible hydraulic systems make service and maintenance a breeze, increasing uptime and lowering daily operating costs. Common hydraulic reservoir internal components such as independent suction lines, case-drain filtration, and return filters simplify changes and keep costs down.
3. Optional platform counterweight on 700JH-Series machines features slip-resistant surfaces and convenient ladder to help ensure safer, easier service.
4. Quick, wide-open access to service items and major components speeds daily checks and periodic maintenance. Maintenance work that used to cost you a day now takes just an hour.



JDLink™ gives you 24/7 online access to your machine's location. Track machine health, utilization, and fuel consumption — valuable information that helps you better understand costs and jobsite performance. Plus, protect machines from theft by setting up geofence and curfew alerts in your JDLink account.

Flexaire fan on the 700JH-Series can be set to automatically reverse to eject material from the cores every 10 minutes or hourly, depending on operator preference. When conditions demand more frequent cleaning, simply press a switch to actuate the reversing cycle.

Superior onboard diagnostics on the 900KH-Series simplify preventative maintenance work and troubleshooting for increased uptime.

Hoses are routed to maximize flow — and minimize potentially harmful heat buildup.

Reinforced steel hood protects internal components against falling objects.

New boom on the 900KH-Series is more robust, with thicker plates and larger pins and bushings. So you can run harder and longer without interruption.

The exclusive thru-nose plumbing option on the 900KH-Series' redesigned boom routes hoses up and out of harm's way, increasing uptime.

Our dealers are armed with both the know-how and the parts inventory to always keep you going strong. Because this job can take you to some pretty harsh places. And we're with you every step of the way.

703JH / 753JH / 759JH

Engine	703JH	753JH	759JH
Manufacturer and Model	John Deere PowerTech™ Plus 6090H	John Deere PowerTech Plus 6090H	John Deere PowerTech Plus 6090H
Non-Road Emission Standards	EPA Tier 2/EU Stage II	EPA Tier 2/EU Stage II	EPA Tier 2/EU Stage II
Cylinders	6	6	6
Displacement	9.0 L (549 cu. in.)	9.0 L (549 cu. in.)	9.0 L (549 cu. in.)
Peak Power at 2,000 rpm	135 kW (181 hp)	180 kW (241 hp)	180 kW (241 hp)
Net Power (ISO9249) at 2,000 rpm	119 kW (160 hp)	164 kW (220 hp)	164 kW (220 hp)
Maximum Net Torque at 1,400 rpm	920 Nm (679 lb.-ft.)	1230 Nm (907 lb.-ft.)	1230 Nm (907 lb.-ft.)
Air Cleaner	Dual-stage dry type with safety element, aspirated	Dual-stage dry type with safety element, aspirated	Dual-stage dry type with safety element, aspirated
Cooling	703JH / 753JH / 759JH		
Fan Type	Suction type, belt driven; Flexxaire reversing fan optional		
Powertrain	703JH	753JH	759JH
Undercarriage	U6 (standard)	U6 (standard)	U6 (standard)
Travel Speed, Forward and Reverse			
High	3.8 km/h (2.4 mph)	3.8 km/h (2.4 mph)	3.8 km/h (2.4 mph)
Low	1.8 km/h (1.1 mph)	1.8 km/h (1.1 mph)	1.8 km/h (1.1 mph)
Tractive Effort			
Standard, Heavy Duty	256 kN (57,600 lbf)	256 kN (57,600 lbf)	256 kN (57,600 lbf)
Travel Brakes	Sealed, wet, multi-disc, automatic application, integral with track-drive gearboxes		
Hydraulics	703JH / 753JH / 759JH		
Main Pump	Variable-displacement, axial-piston		
Maximum Rated Flow	360 L/min. (95 gpm)		
Attachment Pump	Dedicated axial-piston		
Maximum Rated Flow	114 L/min. (30 gpm)		
Oil Filtration	2 main return filters, 10-micron return with bypass, and one 25-micron case-drain strainer		
Electrical	703JH	753JH	759JH
Voltage	24 volt	24 volt	24 volt
Batteries	2 x 12 volt	2 x 12 volt	2 x 12 volt
Alternator Rating	80 amp	80 amp	80 amp
Work Lights	8 twin-power halogen (7 flood and 1 spot)	8 twin-power halogen (7 flood and 1 spot)	8 twin-power halogen (7 flood and 1 spot)



Undercarriage	703JH	753JH	759JH	
Track Chain, Heavy Duty	U6 (standard)	U6 (standard)	U7 (optional)	U6 (standard)
Carrier Slides (per side)	203.2 mm (8 in.)	203.2 mm (8 in.)	215.9 mm (8.5 in.)	203.2 mm (8 in.)
Track Rollers (per side)	2 bolt-on	2 bolt-on	2 bolt-on	2 bolt-on
Track Guides, Integral, Thick High-Abrasion-Resistant Material	8 (tractor type)	8 (tractor type)	9 (tractor type)	8 (tractor type)
Track Adjustment	25 mm (1.0 in.)	25 mm (1.0 in.)	25 mm (1.0 in.)	25 mm (1.0 in.)
Swing Mechanism	Hydraulic	Hydraulic	Hydraulic	Hydraulic
Rotation (continuous)	703JH / 753JH / 759JH			
Swing Speed (maximum)	360 deg.			
Swing Torque	7.0 rpm			
Swing Brake	54 233 Nm (40,000 lb.-ft.)			
Ground Pressure Data	Sealed, wet, multi-disc			
SAE J1309; Less Attachment	703JH	753JH	759JH	
Grouser, Heavy Duty	U6 (standard)	U6 (standard)	U7 (optional)	U6 (standard)
Double				
610 mm (24 in.)	51.4 kPa (7.5 psi)	51.4 kPa (7.5 psi)	52.5 kPa (7.6 psi)	59.0 kPa (8.6 psi)
760 mm (30 in.)	42.0 kPa (6.1 psi)	42.0 kPa (6.1 psi)	43.1 kPa (6.3 psi)	N/A
Single, Clipped Corner				
610 mm (24 in.)	51.0 kPa (7.4 psi)	51.0 kPa (7.4 psi)	52.6 kPa (7.6 psi)	58.6 kPa (8.5 psi)
710 mm (28 in.)	44.3 kPa (6.4 psi)	44.3 kPa (6.4 psi)	45.8 kPa (6.6 psi)	50.8 kPa (7.4 psi)
Triple, 914 mm (36 in.) (for soft terrain only)	36.1 kPa (5.2 psi)	36.1 kPa (5.2 psi)	N/A	N/A
Serviceability	703JH / 753JH / 759JH			
Refill Capacities				
Fuel Tank	584 L (154 gal.)			
Cooling System	38.5 L (10.2 gal.)			
Engine Lubrication (including filter)	31.0 L (8.2 gal.)			
Hydraulic Reservoir Capacity	136 L (36 gal.)			
Swing-Drive Gearbox	4.5 L (1.2 gal.)			
Track-Drive Gearbox (each)	4.8 L (1.3 gal.)			
Operating Weights	703JH	753JH	759JH	
Includes standard equipment, half-full fuel tank, all fluids, 80-kg (175 lb.) operator, less attachment	U6 (standard)	U6 (standard)	U7 (optional)	U6 (standard)
Approximate Weight	23 650 kg (52,140 lb.)	23 900 kg (52,690 lb.)	26 080 kg (57,510 lb.)	27 180 kg (59,940 lb.)

Operating Dimensions with Standard Boom

703JH / 753JH / 759JH

Reach to Attachment Pin

Maximum 8.50 m (27 ft. 10 in.)

Minimum 2.36 m (7 ft. 9 in.)

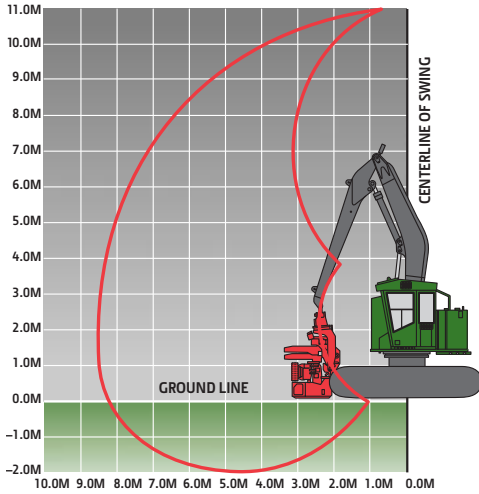
Harvesting Swath 6.13 m (20 ft. 1 in.)

Lift Capacity, Bare Pin

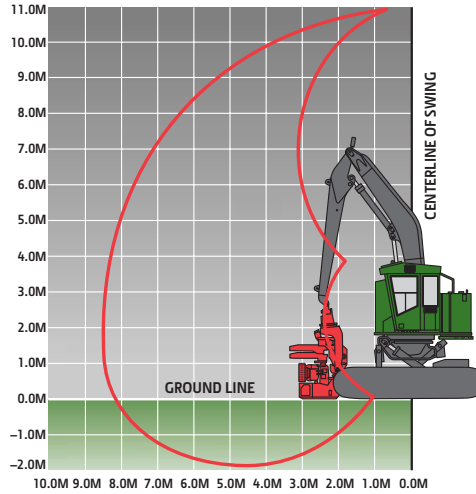
At Full Reach 3980 kg (8,780 lb.)

At 6.1 m (20 ft.) 5240 kg (11,560 lb.)

703JH/753JH Tracked Harvesters



759JH Tracked Harvester



Attachment

HTH616C

HTH622B

HTH623C

Maximum Capacity

Cutting 55 cm (21.7 in.)

75 cm (29.5 in.)

75 cm (29.5 in.)

Delimiting 51 cm (20.1 in.)

64 cm (25.0 in.)

70 cm (27.6 in.)

Feeding Mechanism 3 rollers, fully synchronized hydraulic drive

3 rollers, fully synchronized hydraulic drive

3 rollers, fully synchronized hydraulic drive

Dimensions

Maximum Width 160 cm (63.0 in.)

170 cm (66.9 in.)

200 cm (78.7 in.)

Height (including rotator and link) 255 cm (100.4 in.)

270 cm (106.3 in.)

300 cm (118.1 in.)

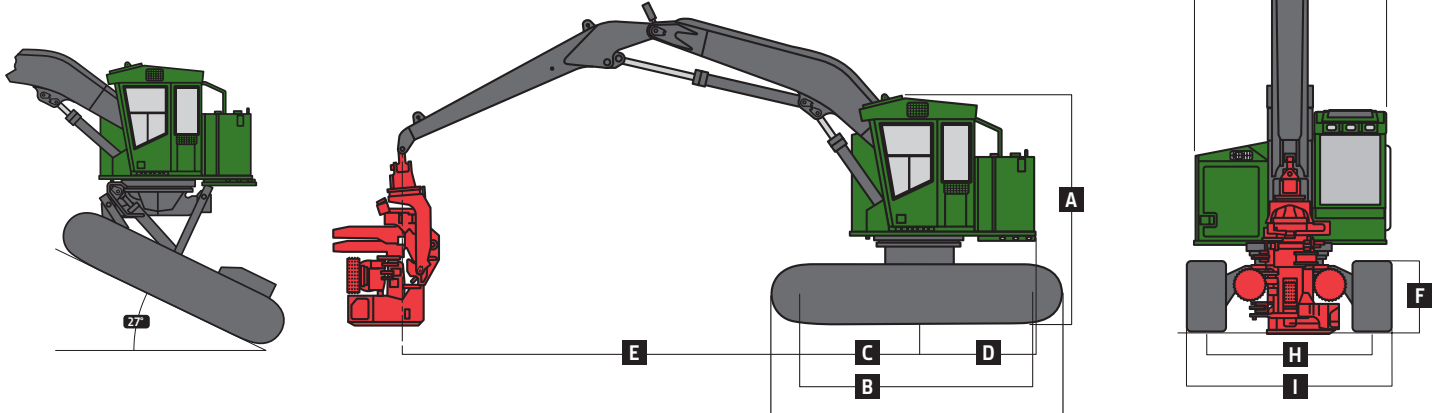
Weight (excluding links and some options) 1680 kg (3,700 lb.)

2120 kg (4,670 lb.)

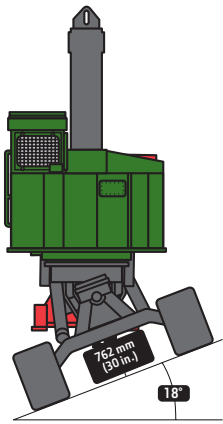
2800 kg (6,160 lb.)

Optional with auto chain tension (see individual Harvesting Head brochure for details).

703JH/753JH Tracked Harvesters

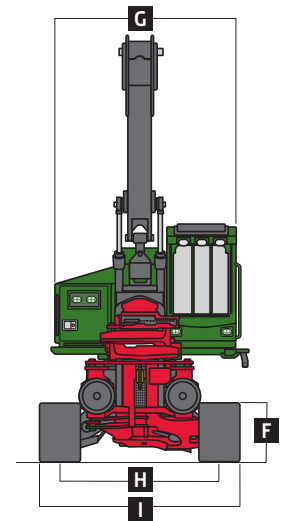
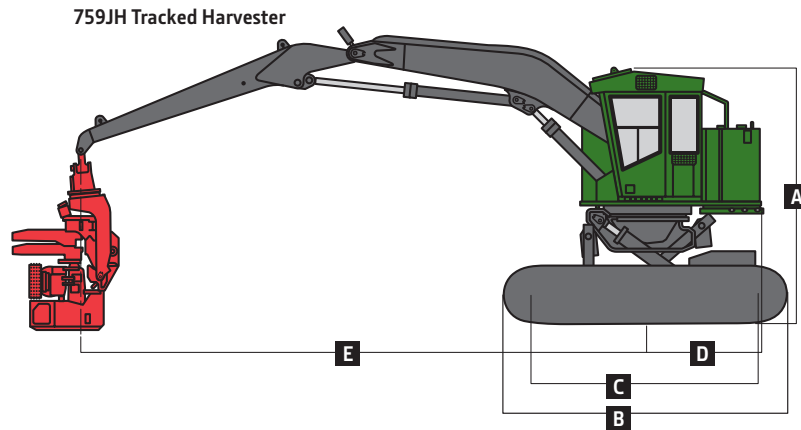


Machine Dimensions	703JH	753JH	759JH
Undercarriage	U6 (standard)	U6 (standard)	U7 (optional)
A Overall Height (with HTH622B)			
Top of Cab	3.45 m (11 ft. 4 in.)	3.45 m (11 ft. 4 in.)	3.50 m (11 ft. 6 in.)
Top of Boom	4.33 m (14 ft. 2 in.)	4.33 m (14 ft. 2 in.)	4.37 m (14 ft. 4 in.)
B Overall Track Length	4.41 m (14 ft. 6 in.)	4.41 m (14 ft. 6 in.)	4.69 m (15 ft. 5 in.)
C Track Length (idler to sprocket center)	3.37 m (11 ft. 1 in.)	3.37 m (11 ft. 1 in.)	3.62 m (11 ft. 10 in.)
D Tail Swing (from swing center line)			
Short Counterweight	1.93 m (6 ft. 4 in.)	1.93 m (6 ft. 4 in.)	1.93 m (6 ft. 4 in.)
Long Counterweight	2.18 m (7 ft. 2 in.)	2.18 m (7 ft. 2 in.)	2.18 m (7 ft. 2 in.)
E Reach (to attachment pin)			
Maximum Reach	8.50 m (27 ft. 10 in.)	8.50 m (27 ft. 10 in.)	8.50 m (27 ft. 10 in.)
Minimum Reach	2.36 m (7 ft. 9 in.)	2.36 m (7 ft. 9 in.)	2.36 m (7 ft. 9 in.)
Harvesting Swath	6.13 m (20 ft. 1 in.)	6.13 m (20 ft. 1 in.)	6.13 m (20 ft. 1 in.)
F Ground Clearance			
Single Grouser	730 mm (29 in.)	730 mm (29 in.)	730 mm (29 in.)
Double Grouser	700 mm (28 in.)	700 mm (28 in.)	700 mm (28 in.)
Triple Grouser	685 mm (27 in.)	685 mm (27 in.)	N/A
G Upperstructure Width	2.94 m (9 ft. 8 in.)	2.94 m (9 ft. 8 in.)	2.94 m (9 ft. 8 in.)
H Track Gauge			
Standard	N/A	2.57 m (8 ft. 5 in.)	2.57 m (8 ft. 5 in.)
Narrow	2.29 m (7 ft. 6 in.)	2.29 m (7 ft. 6 in.)	N/A
I Width Over Tracks			
Standard			
610-mm (24 in.) Track Shoes	N/A	3.18 m (10 ft. 5 in.)	3.18 m (10 ft. 5 in.)
711-mm (28 in.) Track Shoes	N/A	3.28 m (10 ft. 9 in.)	3.28 m (10 ft. 9 in.)
760-mm (30 in.) Track Shoes	N/A	3.33 m (10 ft. 11 in.)	3.33 m (10 ft. 11 in.)
914-mm (36 in.) Track Shoes	N/A	3.48 m (11 ft. 5 in.)	3.48 m (11 ft. 5 in.)
Narrow			
610-mm (24 in.) Track Shoes	2.90 m (9 ft. 6 in.)	2.90 m (9 ft. 6 in.)	N/A
711-mm (28 in.) Track Shoes	3.00 m (9 ft. 10 in.)	3.00 m (9 ft. 10 in.)	N/A
760-mm (30 in.) Track Shoes	3.05 m (10 ft. 0 in.)	3.05 m (10 ft. 0 in.)	N/A
914-mm (36 in.) Track Shoes	3.20 m (10 ft. 6 in.)	3.20 m (10 ft. 6 in.)	N/A



Leveling Capability 759JH

Forward	27 deg.
Rear	10 deg.
Side	18 deg.



903KH / 909KH

Engine	903KH / 909KH			
Manufacturer and Model	John Deere PowerTech™ Plus 6090H			
Non-Road Emission Standards	EPA Tier 3/EU Stage IIIA			
Cylinders	6			
Displacement	9.0 L (549 cu. in.)			
	Standard	Optional		
Peak Power at 1,900 rpm	224 kW (300 hp)	246 kW (330 hp)		
Net Power (ISO9249) at 2,000 rpm	199 kW (267 hp)	214 kW (286 hp)		
Net Peak Torque at 1,500 rpm	1270 Nm (937 lb.-ft.)	1392 Nm (1,027 lb.-ft.)		
Air Cleaner	Dual-stage dry type with safety element, aspirated			
Cooling				
Fan Type	Suction type, hydraulically driven, variable speed, reversing			
Powertrain	903KH	909KH		
Undercarriage	U7 (standard)	U6 (optional)	U7HD (standard)	U7ExD (optional)
Travel Speed, Forward and Reverse				
High	4.2 km/h (2.6 mph)	5.0 km/h (3.1 mph)	4.2 km/h (2.6 mph)	3.6 km/h (2.2 mph)
Low	2.0 km/h (1.2 mph)	2.6 km/h (1.6 mph)	2.0 km/h (1.2 mph)	1.7 km/h (1.0 mph)
Tractive Effort	331 kN (74,300 lbf)	248 kN (55,700 lbf)	331 kN (74,300 lbf)	384 kN (86,300 lbf)
Travel Brakes	Sealed, wet, multi-disc, automatic application, integral with track-drive gearboxes			
Hydraulics	903KH / 909KH			
Main Pump	Variable-displacement, axial-piston			
Maximum Rated Flow	475 L/min. (125 gpm)			
Attachment Pump	Dedicated axial-piston			
Maximum Rated Flow	114 L/min. (30 gpm)			
Oil Filtration	2 main return filters, 10-micron return with bypass, and one 25-micron case-drain strainer			
Electrical	903KH	909KH		
Voltage	24 volt	24 volt		
Batteries	2 x 12 volt	2 x 12 volt		
Alternator Rating				
Standard	100 amp	100 amp		
Optional	130 amp	130 amp		
Work Lights	14 halogen (9 flood and 5 spot)	15 halogen (10 flood and 5 spot)		



Undercarriage	903KH		909KH	
Track Gauge	U7 (standard)	U6 (optional)	U7HD (standard)	U7ExD (optional)
Track Shoes, Single-Bar Grouser, Clipped Corner, Heavy Duty, Open Center	2560 mm (101 in.)	2560 mm (101 in.)	2718 mm (107 in.)	2718 mm (107 in.)
Track Chain, Heavy Duty	610 mm (24 in.)	610 mm (24 in.)	610 mm (24 in.)	610 mm (24 in.)
Carrier Slides (per side)	215.9 mm (8.5 in.)	203.2 mm (8.0 in.)	215.9 mm (8.5 in.)	215.9 mm (8.5 in.)
Track Rollers (per side)	2 bolt-on	2 bolt-on	2 bolt-on	2 bolt-on
Track Guides, Integral, Thick High-Abrasion-Resistant Material	9 (tractor type)	8 (tractor type)	10 (tractor type)	10 (tractor type)
Track Adjustment	25 mm (1.0 in.)	25 mm (1.0 in.)	25 mm (1.0 in.)	25 mm (1.0 in.)
Swing Mechanism	Hydraulic	Hydraulic	Hydraulic	Hydraulic
Swing Mechanism				
Rotation (continuous)	903KH / 909KH			
Swing Speed (maximum)	360 deg.			
Swing Torque	6.0 rpm			
Swing Brake	99 246 Nm (73,200 lb.-ft.)			
Ground Pressure Data	Sealed, wet, multi-disc			
Ground Pressure Data				
SAE J1309; Less Attachment	903KH		909KH	
Double Grouser, Heavy Duty	U7 (standard)	U6 (optional)	U7HD (standard)	U7ExD (optional)
610 mm (24 in.)	61.0 kPa (8.8 psi)	60.8 kPa (8.8 psi)	69.0 kPa (10.0 psi)	69.6 kPa (10.1 psi)
760 mm (30 in.)	49.9 kPa (7.2 psi)	49.6 kPa (7.2 psi)	N/A	N/A
Single Grouser, Clipped Corner, Heavy Duty				
610 mm (24 in.)	60.9 kPa (8.8 psi)	60.4 kPa (8.8 psi)	68.8 kPa (10.0 psi)	69.2 kPa (10.0 psi)
710 mm (28 in.)	53.0 kPa (7.7 psi)	52.5 kPa (7.6 psi)	59.8 kPa (8.7 psi)	60.7 kPa (8.8 psi)
Triple Grouser, Heavy Duty (for soft terrain only)				
914 mm (36 in.)	42.5 kPa (6.2 psi)	42.3 kPa (6.1 psi)	N/A	N/A
Serviceability				
903KH / 909KH				
Refill Capacities				
Fuel Tank	1080 L (285 gal.)			
Cooling System	48.9 L (12.9 gal.)			
Engine Lubrication (including filter)	31.0 L (8.2 gal.)			
Hydraulic Reservoir Capacity	311 L (82 gal.)			
Drive Gearbox (each)				
Swing	4.5 L (1.2 gal.)			
Track	4.8 L (1.3 gal.)			
Operating Weights				
	903KH		909KH	
Includes standard equipment, 610-mm (24 in.) double-grouser tracks, half-full fuel tank, all fluids, 80-kg (175 lb.) operator, less attachment	U7 (standard)	U6 (optional)	U7HD (standard)	U7ExD (optional)
Approximate Weight	30 300 kg (66,800 lb.)	28 250 kg (62,290 lb.)	36 140 kg (79,690 lb.)	36 500 kg (80,480 lb.)

Operating Dimensions with Standard Boom

903KH / 909KH

Reach to Attachment Pin

Maximum	9.12 m (29 ft. 11 in.)
Minimum	3.68 m (12 ft. 1 in.)

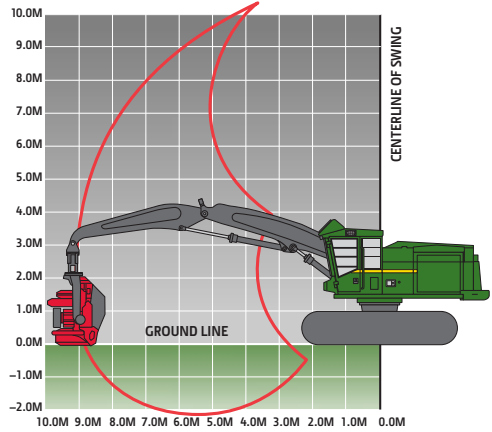
Harvesting Swath

	5.44 m (17 ft. 10 in.)
--	------------------------

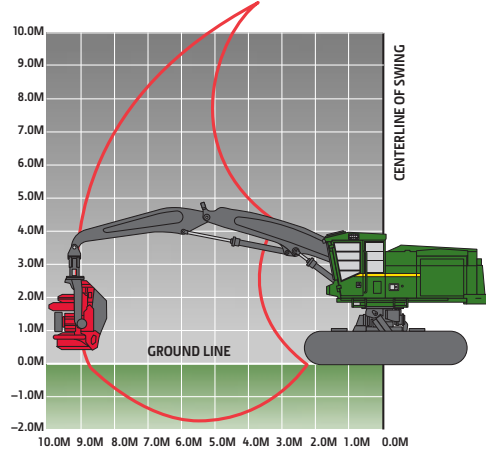
Lift Capacity, Bare Pin

At Full Reach	6420 kg (14,160 lb.)
At 6.1 m (20 ft.)	11 080 kg (24,430 lb.)

903KH Tracked Harvester



909KH Tracked Harvester



Attachment

HTH622B

HTH623C

HTH624C

HTH625C

Maximum Capacity

Cutting	75 cm (29.5 in.)	75 cm (29.5 in.)	81 cm (31.9 in.)	90 cm (35.4 in.)
Delimiting	64 cm (25.0 in.)	70 cm (27.6 in.)	76 cm (29.9 in.)	81 cm (31.9 in.)
Feeding Mechanism	3 rollers, fully synchronized hydraulic drive	3 rollers, fully synchronized hydraulic drive	3 rollers, fully synchronized hydraulic drive	3 rollers, fully synchronized hydraulic drive

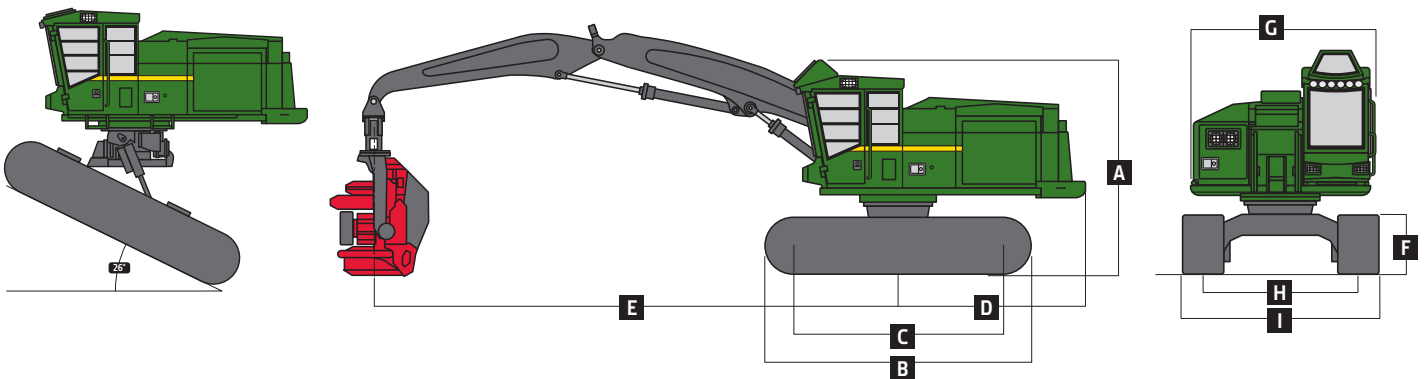
Dimensions

Maximum Width	170 cm (66.9 in.)	200 cm (78.7 in.)	200 cm (78.7 in.)	200 cm (78.7 in.)
Height (including rotator and link)	270 cm (106.3 in.)	300 cm (118.1 in.)	300 cm (118.1 in.)	325 cm (128.0 in.)
Weight (excluding links and some options)	2120 kg (4,670 lb.)	2800 kg (6,160 lb.)	3405 kg (7,510 lb.)	4200 kg (9,260 lb.)

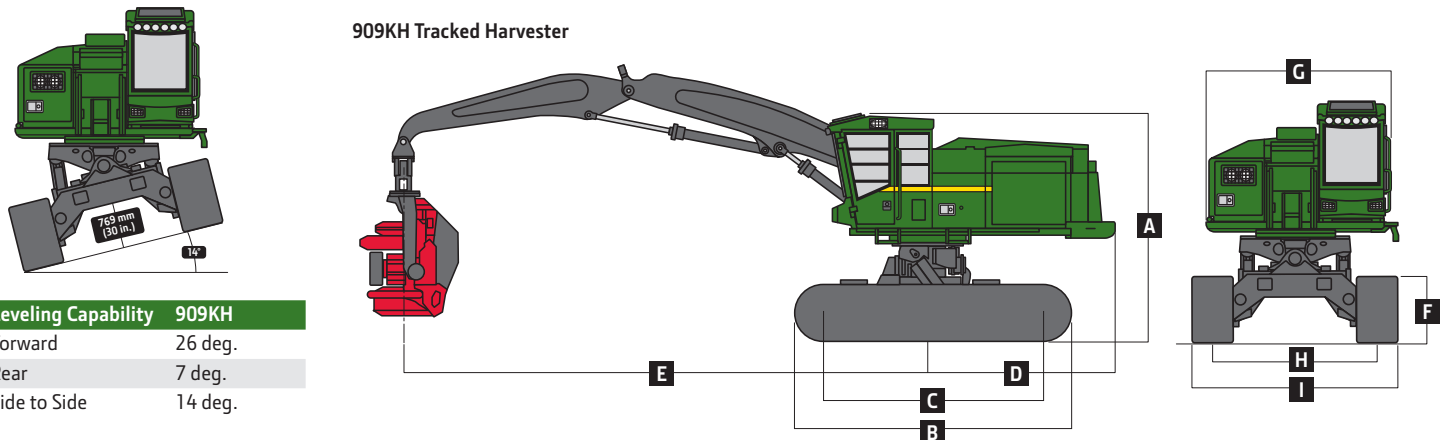
Saw equipped with automatic chain tensioner system (see individual Harvesting Head brochure for details).

Machine Dimensions	903KH		909KH
	U7 (standard)	U6 (optional)	U7HD (standard) and U7ExD (optional)
A Overall Height (with HTH624C)			
Top of Cab without Skylight	3.53 m (11 ft. 7 in.)	3.48 m (11 ft. 5 in.)	N/A
Top of Cab with Skylight	3.80 m (12 ft. 6 in.)	3.75 m (12 ft. 4 in.)	4.02 m (13 ft. 2 in.)
Top of Boom	4.42 m (14 ft. 6 in.)	4.37 m (14 ft. 4 in.)	4.66 m (15 ft. 3 in.)
B Overall Track Length	4.69 m (15 ft. 5 in.)	4.41 m (14 ft. 6 in.)	4.92 m (16 ft. 2 in.)
C Track Length (idler to sprocket center)	3.62 m (11 ft. 10 in.)	3.37 m (11 ft. 1 in.)	3.83 m (12 ft. 7 in.)
D Tail Swing (from swing center)			
Standard Counterweight	3.05 m (10 ft. 0 in.)	3.05 m (10 ft. 0 in.)	3.05 m (10 ft. 0 in.)
Optional Counterweight	3.23 m (10 ft. 7 in.)	3.23 m (10 ft. 7 in.)	3.23 m (10 ft. 7 in.)
E Boom Reach (to attachment pin)			
Maximum Reach	9.12 m (29 ft. 11 in.)	9.12 m (29 ft. 11 in.)	9.12 m (29 ft. 11 in.)
Minimum Reach	3.68 m (12 ft. 1 in.)	3.68 m (12 ft. 1 in.)	3.68 m (12 ft. 1 in.)
Harvesting Swath	5.44 m (17 ft. 10 in.)	5.44 m (17 ft. 10 in.)	5.44 m (17 ft. 10 in.)
F Ground Clearance			
Single Grouser	735 mm (29 in.)	735 mm (29 in.)	769 mm (30 in.)
Double Grouser	701 mm (28 in.)	701 mm (28 in.)	735 mm (29 in.)
G Upperstructure Width			
Without Optional Walkway	3.05 m (10 ft. 0 in.)	3.05 m (10 ft. 0 in.)	N/A
With Optional Walkway	3.20 m (10 ft. 6 in.)	3.20 m (10 ft. 6 in.)	3.20 m (10 ft. 6 in.)
H Track Gauge	2.56 m (8 ft. 5 in.)	2.56 m (8 ft. 5 in.)	2.72 m (8 ft. 11 in.)
I Width Over Tracks			
610-mm (24 in.) Track Shoes	3.17 m (10 ft. 5 in.)	3.17 m (10 ft. 5 in.)	3.33 m (10 ft. 11 in.)
711-mm (28 in.) Track Shoes	3.27 m (10 ft. 9 in.)	3.27 m (10 ft. 9 in.)	3.43 m (11 ft. 3 in.)
760-mm (30 in.) Track Shoes	3.32 m (10 ft. 11 in.)	3.32 m (10 ft. 11 in.)	N/A
914-mm (36 in.) Track Shoes	3.47 m (11 ft. 5 in.)	3.47 m (11 ft. 5 in.)	N/A

903KH Tracked Harvester



909KH Tracked Harvester



Leveling Capability 909KH

Forward	26 deg.
Rear	7 deg.
Side to Side	14 deg.



WORKING IN THE FOREST ISN'T ROCKET SCIENCE. IT'S HARDER.

Handling what the forest throws at you takes serious brains as well as brawn. And the 703JH Tracked Harvester has plenty of both. Advanced diagnostics keep you up to speed, while seamless integration among the carrier, the head, and the measuring system give you unparalleled control. Best of all, these smarts are packed into a body that gives you big-tree strength, ensuring that the 703JH stands at the head of its class. For more info, see your dealer today, or call 1-800-503-3373. At John Deere, We're For Loggers.

DKD10034 Litho in U.S.A. (13-05)



JOHN DEERE

www.JohnDeere.com/th