

REPLACEMENT PARTS GUIDE

X580 Lawn and Garden Tractor

ENGINE



OIL FILTER

[AM125424](#)

Change Every 100 hrs / Annually.



ENGINE OIL

[TY22029](#) (Turf-Gard™ 10W-30)
(2.1 L (2.2 qt)) (WITH FILTER)

Change Every 100 hrs / Annually.



AIR FILTER

[MIU12554](#) (PRIMARY, FOAM)
[MIU12555](#) (SECONDARY, PAPER)

Change Every 100 hrs / Annually.



**JOHN DEERE MULTI-PURPOSE HD
LITHIUM COMPLEX GREASE**
[TY24416](#)

GREASE GUN

[TY26518](#)
Change As Required.



FUEL FILTER

[AM116304](#)

Change Every 100 hrs / Annually.



SPARK PLUG

[M805853](#)

Change Every 100 hrs / Annually.



TRANSAXLE FILTER

[MIA881446](#)

Change Every 200 hrs.



TRACTION BELT

[M174585](#) (LGTH = 2467.6 mm, TK = 14.7 mm,
WIDTH = 16 mm)



TRANSAXLE OIL

[TY22035](#) (LOW VISCOSITY HY-GARD™)
(5.3 L (5.6 qt.))

Change Every 200 hrs.



HOME MAINTENANCE KIT

[LG265](#)



ELECTRICAL



KEY
[GY20680](#)



HEAD LIGHT BULB
[AD2062R](#) (27 W)



IGNITION SWITCH
[AM133597](#)



BATTERY
[TY25876B](#) (12 V) (FOR CANADA AND USA)
[MCYP25876](#) (12 V) (NOT FOR CANADA
AND USA)

FUEL & AIR



FILLER CAP
[AM141406](#)



MUFFLER
[AM141137](#)

REPLACEMENT PARTS GUIDE

X580 with 48 inch Accel Deep Deck

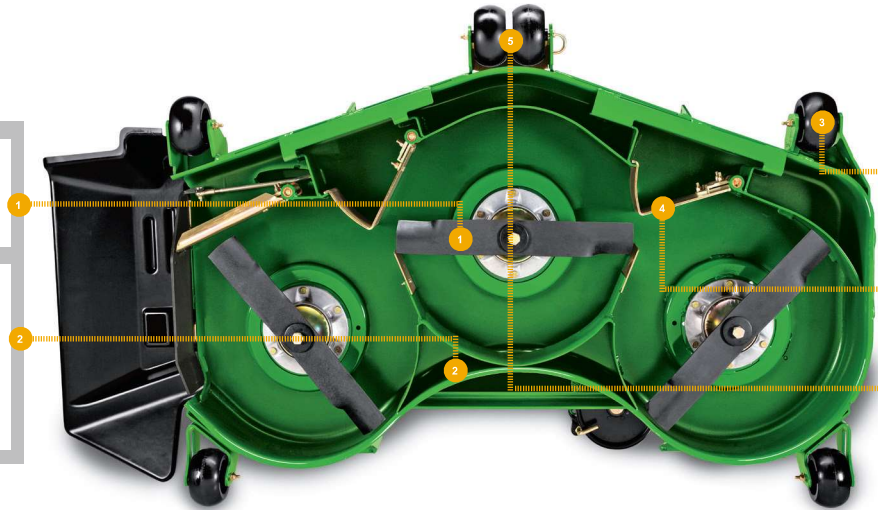
MOWER BLADE

[UC22009](#)

V BELT

[M169485](#) (LGTH = 1900 mm, TK = 11 mm,
WIDTH = 16.6 mm) (PRIMARY)

[M169500](#) (LGTH = 2629 mm, TK = 11 mm,
WIDTH = 16.6 mm) (SECONDARY)



GAGE WHEELS

[M111489](#)

MULCH BLADE

[M127673](#)

[UC25185](#) (RETROFIT)

ROLLER

[M113955](#)

MOWER DECK LEVELING GAUGE

[AM130907](#)

REPLACEMENT PARTS GUIDE

X580 with 54 inch Accel Deep Deck

MOWER BLADE

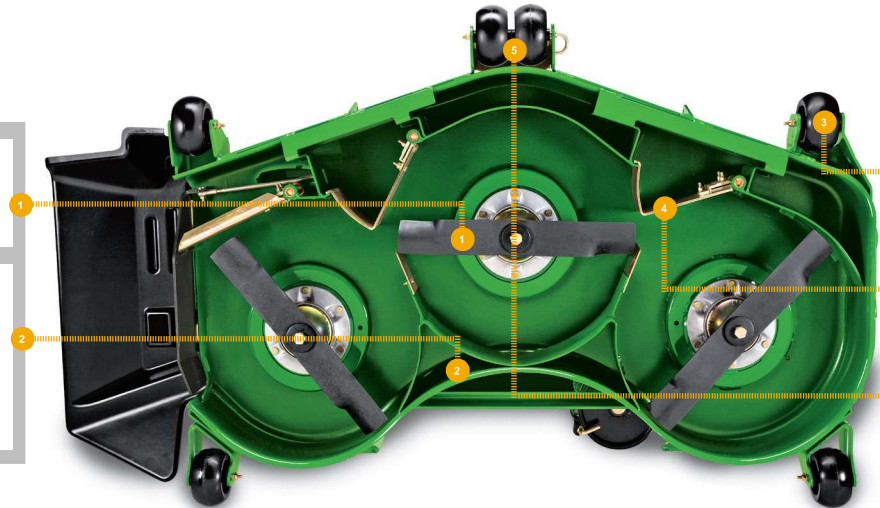
[UC22010](#) (STANDARD)

[M152726](#) (HIGH LIFT)

V BELT

[M169485](#) (LGTH = 1900 mm, TK = 11 mm,
WIDTH = 16.6 mm) (PRIMARY)

[M169486](#) (LGTH = 2810 mm, TK = 11 mm,
WIDTH = 16.6 mm) (SECONDARY)



GAGE WHEELS

[M111489](#)

MULCH BLADE

[M177791](#)

ROLLER

[M113955](#)

MOWER DECK LEVELING GAUGE

[AM130907](#)