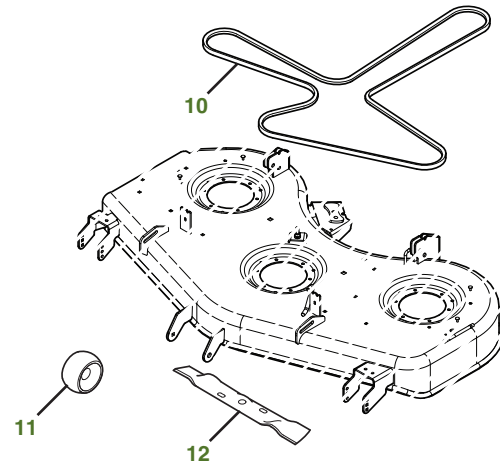
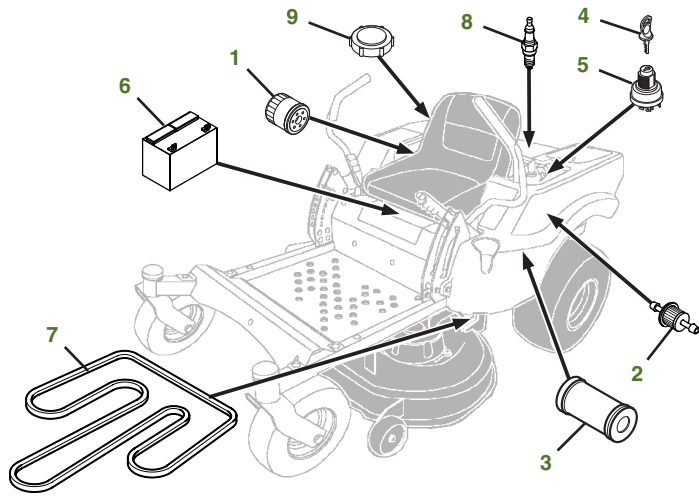


# MAINTENANCE REMINDER SHEET

## Z535R with 54" High Capacity Deck



Tractor S/N

Deck S/N

Key	Part No.	Description	Key	Part No.	Description
1	<a href="#">AM125424</a>	ENGINE OIL FILTER	7	<a href="#">M172116</a>	BELT-TRACTION DRIVE
2	<a href="#">AM116304</a>	FUEL FILTER-IN-LINE Use W/ Marked Engine 44T9770023G1/ 44T9770018G1	8	<a href="#">MIU11020</a>	SPARK PLUG
	<a href="#">UC10277</a>	FUEL FILTER-IN-LINE Use W/ Marked Engine 44T9770028G1	9	<a href="#">AM146138</a>	FUEL CAP
3	<a href="#">MIU13120</a>	AIR FILTER	10	<a href="#">GX25998</a>	BELT-MOWER
	<a href="#">UC10250</a>	PRE CLEANER	11	<a href="#">TCU18744</a>	GAGE WHEEL
4	<a href="#">AUC12681</a>	KEY	12	<a href="#">M164016</a>	BLADE-HIGH LIFT 54"
5	<a href="#">TCA22740</a>	IGNITION SWITCH SN (-080000)		<a href="#">M135334</a>	BLADE-MULCHING 54"
	<a href="#">AUC12631</a>	IGNITION SWITCH SN (080001 -)		<a href="#">BM23977</a>	KIT-MULCHING 54"
6	<a href="#">TY25878</a>	BATTERY		<a href="#">BM26300</a>	KIT-MULCHCONTROL™

### Parts Needed in First 250 Hours of Operation

Qty	Part No	Item	Qty or Capacity	Change Interval In Hours
10	<a href="#">TY22029</a>	Engine Oil Turf-Gard™ 10W30	1.9 L (2 qt)	50/100/150/200/250
5	<a href="#">AM125424</a>	Engine Oil Filter	1	50/100/150/200/250
2	<a href="#">MIU13120</a>	Air Filter	1	100/200
2	<a href="#">UC10250</a>	Pre Cleaner	1	100/200
2	<a href="#">AM116304</a>	Fuel Filter Use With Marked Engine 44T9770023G1/ 44T9770018G1	1	100/200
	<a href="#">UC10277</a>	Use with Marked Engine 44T9770028G1		
4	<a href="#">MIU11020</a>	Spark Plug	2	100/200
1	<a href="#">TY24416</a>	JD Multi Purpose HD Lithium Complex Grease		As Needed

### "As Needed" Parts

Qty	Part No	Item
1	<a href="#">AM130907</a>	Mower Deck Leveling Gauge
1	<a href="#">TY26517</a>	Grease Gun

### Home Maintenance Kit

Unit	Kit Number
Z535R	<a href="#">LG269</a>

CLICK PART NUMBER TO BUY