

ENGINE	790E LC	892E LC
Type.....	John Deere 6068T with altitude-compensating turbo-charger	John Deere 6076A with altitude-compensating turbo-charger and aftercooler
Rated power	155 SAE net hp (116 kW) / 161 SAE gross hp (120 kW) @ 2,100 rpm	220 SAE net hp (164 kW) / 232 SAE gross hp (173 kW) @ 2,000 rpm
Cylinders.....	6	6
Displacement	414 cu. in. (6.785 L)	466 cu. in. (7.638 L)
Maximum net torque.....	465 lb.-ft. (630 Nm) @ 1,300 rpm	650 lb.-ft. (881 Nm) @ 1,400 rpm
Fuel consumption, typical.....	4 to 6 gal./hr. (15 to 23 L/h)	4 to 9 gal./hr. (15 to 34 L/h)
Cooling fan	suction-type drive	suction-type drive
Electrical system.....	24 volt with 45-amp alternator	24 volt with 45-amp alternator
Batteries (two 12 volt).....	reserve capacity: 180 min.	reserve capacity: 180 min.
HYDRAULIC SYSTEM		
Main pumps.....	2 variable-displacement axial-piston closed center	2 variable-displacement axial-piston open center
Maximum rated flow.....	2 x 50 gpm (2 x 189 L/min.)	2 x 72 gpm (2 x 273 L/min.)
Pilot pump	one gear	one gear
Maximum rated flow.....	9.0 gpm (34 L/min.)	9.3 gpm (35 L/min.)
Pressure setting.....	710 psi (4895 kPa)	668 psi (4605 kPa)
System operating pressure		
Implement circuits.....	4,980 psi (34 340 kPa)	4,270 psi (29 440 kPa)
Travel circuits.....	4,980 psi (34 340 kPa)	4,980 psi (34 340 kPa)
Swing circuits	4,660 psi (32 130 kPa)	3,840 psi (26 480 kPa)
Oil filtration	one 10-micron full-flow return filter with by-pass one pilot oil filter one suction filter	one 10-micron full-flow return filter with by-pass one pilot oil filter one suction filter
CYLINDERS		
Boom (2)		
Bore.....	4.92 in. (125 mm)	5.70 in. (145 mm)
Rod diameter	3.54 in. (90 mm)	3.90 in. (100 mm)
Stroke.....	53.15 in. (1350 mm)	60.20 in. (1530 mm)
Arm (1)		
Bore.....	5.32 in. (135 mm)	6.50 in. (165 mm)
Rod diameter	3.94 in. (100 mm)	4.30 in. (110 mm)
Stroke.....	63.58 in. (1615 mm)	71.70 in. (1820 mm)
Bucket (1)		
Bore.....	4.92 in. (125 mm)	5.70 in. (145 mm)
Rod diameter	3.35 in. (85 mm)	3.70 in. (95 mm)
Stroke.....	42.32 in. (1075 mm)	49.20 in. (1250 mm)
SWING MECHANISM		
Swing speed.....	0-10 rpm	0-12 rpm
UNDERCARRIAGE		
Carrier rollers (per side)	2	2
Track rollers (per side).....	9	9
Idlers (per side).....	1	1
Shoes, triple semigrouser (per side)	51	50
Track guides	front and center	front and center
Track adjustment	hydraulic	hydraulic
Travel speed		
Low.....	0-1.2 mph (0-1.9 km/h)	0-1.6 mph (0-2.6 km/h)
Medium	0-2.2 mph (0-3.5 km/h)	0-2.4 mph (0-3.9 km/h)
High.....	0-3.4 mph (0-5.5 km/h)	0-3.4 mph (0-5.5 km/h)
Drawbar pull	39,700 lb. (176.5 kN)	52,120 lb. (231 kN)
Tractive gradability	119% (50 deg.)	123% (51 deg.)
Off-level operating limit for oil sump	100% (45 deg.)	100% (45 deg.)
GROUND PRESSURE DATA		
Average ground pressure		
24-in. (600 mm) triple semigrouser shoes	6.52 psi (45 kPa); for rocky terrain and stumps	6.81 psi (46.9 kPa); for rocky terrain and stumps
32-in. (800 mm) triple semigrouser shoes	5.03 psi (34.7 kPa); for general/soft terrain	5.62 psi (38.7 kPa); for general/soft terrain
CAPACITIES		
Fuel tank	82 gal. (310 L)	135 gal. (510 L)
Cooling system	26 qt. (24 L)	34 qt. (32 L)
Engine lubrication, including filter	5 gal. (19 L)	6.3 gal. (24 L)
Hydraulic system	68.7 gal. (260 L)	82 gal. (310 L)
Planetary propel drive (each).....	6 qt. (5.7 L)	6.3 qt. (6 L)
Swing drive	10 qt. (9.5 L)	13.8 qt. (13 L)

OPERATING WEIGHTS

790E LC

892E LC

With full fuel tank, 175-lb. (79 kg) operator, and 32-in. (800 mm) triple grouser shoes	
With 42-in. (1065 mm) 1.38 cu. yd. (1.06 m ³) bucket, 11 ft. 10 in. (3.61 m) arm, and 11,180-lb. (5050 kg) counterweight	51,725 lb. (23 462 kg)
With 54-in. (1370 mm) 2.3 cu. yd. (1.76 m ³) bucket, 13 ft. 1 in. (4.0 m) arm, and 14,770-lb. (6700 kg) counterweight	67,450 lb. (30 595 kg)

COMPONENT WEIGHTS

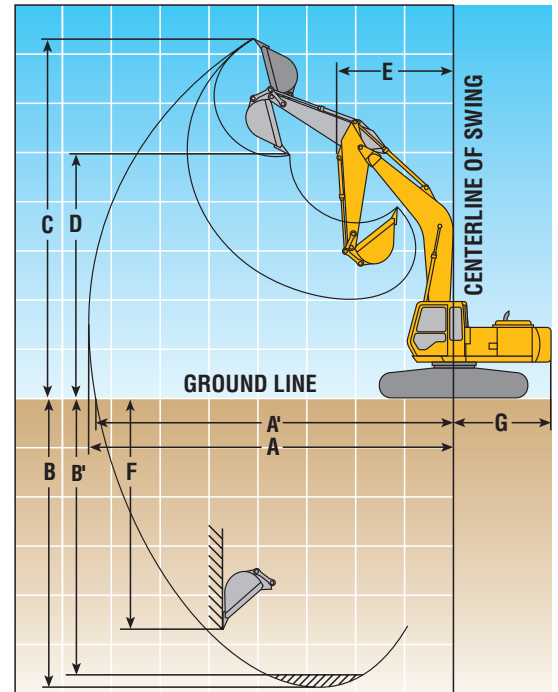
Upperstructure with full fuel tank (less front attachments)	
Less boom lift cylinders (2) and 11,180-lb. (5050 kg) counterweight	11,520 lb. (5225 kg)
Less 14,770-lb. (6700 kg) counterweight and boom lift cylinders (2)	14,380 lb. (6523 kg)
Undercarriage equipped with	
24-in. (600 mm) triple grouser shoes	17,240 lb. (7820 kg)
32-in. (800 mm) triple grouser shoes	18,760 lb. (8510 kg)
One-piece boom (with arm cylinder)	4,240 lb. (1924 kg)
Arm with bucket cylinder and linkage	
7 ft. 7 in. (2.32 m)	2,605 lb. (1181 kg)
9 ft. 9 in. (2.96 m)	2,710 lb. (1230 kg)
11 ft. 10 in. (3.61 m)	3,035 lb. (1376 kg)
8 ft. 9 in. (2.7 m)	3,435 lb. (1558 kg)
10 ft. 6 in. (3.2 m)	3,673 lb. (1666 kg)
13 ft. 1 in. (4.0 m)	3,907 lb. (1772 kg)
Boom lift cylinders (2) total weight	960 lb. (436 kg)
Buckets	
42-in. (1065 mm) 1.38 cu. yd. (1.06 m ³) general purpose	1,785 lb. (809 kg)
54-in. (1370 mm) 2.3 cu. yd. (1.76 m ³) heavy duty	2,557 lb. (1160 kg)

790E LC OPERATING INFORMATION

	Arm Length 7 ft. 7 in. (2.32 m)	Arm Length 9 ft. 9 in. (2.96 m)	Arm Length 11 ft. 10 in. (3.61 m)
Arm force with 42-in. (1065 mm) general-purpose bucket	30,520 lb. (135.8 kN)	24,370 lb. (108.4 kN)	21,100 lb. (93.9 kN)
Bucket tangential force with 42-in. (1065 mm) 1.38 cu. yd. (1.06 m ³) general-purpose bucket	33,065 lb. (147.1 kN)	33,065 lb. (147.1 kN)	33,065 lb. (147.1 kN)
Lifting capacity over front @ ground			
level 20-ft. (6.1 m) reach	17,009 lb. (7715 kg)	16,578 lb. (7520 kg)	15,583 lb. (7086 kg)
A Max. reach	31 ft. 10 in. (9.71 m)	33 ft. 8 in. (10.27 m)	35 ft. 9 in. (10.90 m)
A' Max. reach @ ground level	31 ft. 3 in. (9.53 m)	33 ft. 2 in. (10.10 m)	35 ft. 2 in. (10.73 m)
B Max. digging depth	20 ft. 8 in. (6.31 m)	22 ft. 10 in. (6.95 m)	24 ft. 11 in. (7.60 m)
B' Max. digging depth @ 8-ft. (2.44 m) flat bottom	19 ft. 11 in. (6.07 m)	22 ft. 1 in. (6.74 m)	24 ft. 5 in. (7.43 m)
C Max. cutting height	30 ft. 10 in. (9.41 m)	31 ft. 7 in. (9.63 m)	32 ft. 9 in. (9.98 m)
D Max. dumping height	21 ft. 5 in. (6.53 m)	22 ft. 2 in. (6.76 m)	23 ft. 4 in. (7.10 m)
E Min. swing radius	12 ft. 10 in. (3.92 m)	12 ft. 8 in. (3.85 m)	12 ft. 9 in. (3.88 m)
F Max. vertical wall	17 ft. 9 in. (5.40 m)	19 ft. 9 in. (6.03 m)	22 ft. 1 in. (6.74 m)
G Tail swing radius	9 ft. 8 in. (2.94 m)	9 ft. 8 in. (2.94 m)	9 ft. 8 in. (2.94 m)

892E LC OPERATING INFORMATION

	Arm Length 8 ft. 9 in. (2.7 m)	Arm Length 10 ft. 6 in. (3.2 m)	Arm Length 13 ft. 1 in. (4.0 m)
Arm force with 54-in. (1370 mm) heavy-duty bucket	36,970 lb. (164.4 kN)	30,645 lb. (136.3 kN)	26,340 lb. (117.2 kN)
Bucket tangential force with 54-in. (1370 mm) 2.3 cu. yd. (1.76 m ³) heavy-duty bucket	41,620 lb. (185.1 kN)	41,620 lb. (185.1 kN)	41,620 lb. (185.1 kN)
Lifting capacity over front @ ground			
level 20-ft. (6.1 m) reach	23,401 lb. (10 615 kg)	22,977 lb. (10 422 kg)	22,147 lb. (10 046 kg)
A Max. reach	34 ft. 8 in. (10.57 m)	36 ft. 5 in. (11.10 m)	38 ft. 11 in. (11.86 m)
A' Max. reach @ ground level	34 ft. 0 in. (10.36 m)	35 ft. 9 in. (10.90 m)	38 ft. 4 in. (11.68 m)
B Max. digging depth	22 ft. 5 in. (6.84 m)	24 ft. 3 in. (7.38 m)	26 ft. 10 in. (8.18 m)
B' Max. digging depth @ 8-ft. (2.44 m) flat bottom	21 ft. 10 in. (6.65 m)	23 ft. 8 in. (7.21 m)	26 ft. 5 in. (8.05 m)
C Max. cutting height	32 ft. 4 in. (9.85 m)	33 ft. 6 in. (10.22 m)	34 ft. 9 in. (10.60 m)
D Max. dumping height	22 ft. 4 in. (6.81 m)	23 ft. 4 in. (7.12 m)	24 ft. 7 in. (7.49 m)
E Min. swing radius	14 ft. 11 in. (4.54 m)	14 ft. 7 in. (4.45 m)	14 ft. 4 in. (4.38 m)
F Max. vertical wall	18 ft. 5 in. (5.61 m)	21 ft. 3 in. (6.48 m)	24 ft. 2 in. (7.36 m)
G Tail swing radius	10 ft. 10 in. (3.30 m)	10 ft. 10 in. (3.30 m)	10 ft. 10 in. (3.30 m)



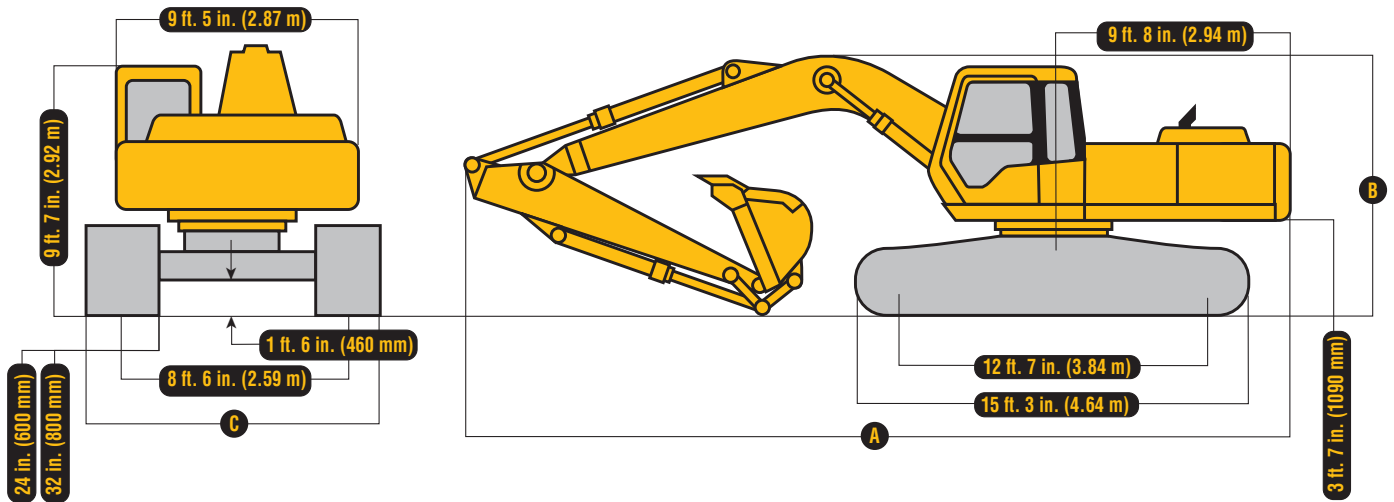
DIMENSIONS

790E LC

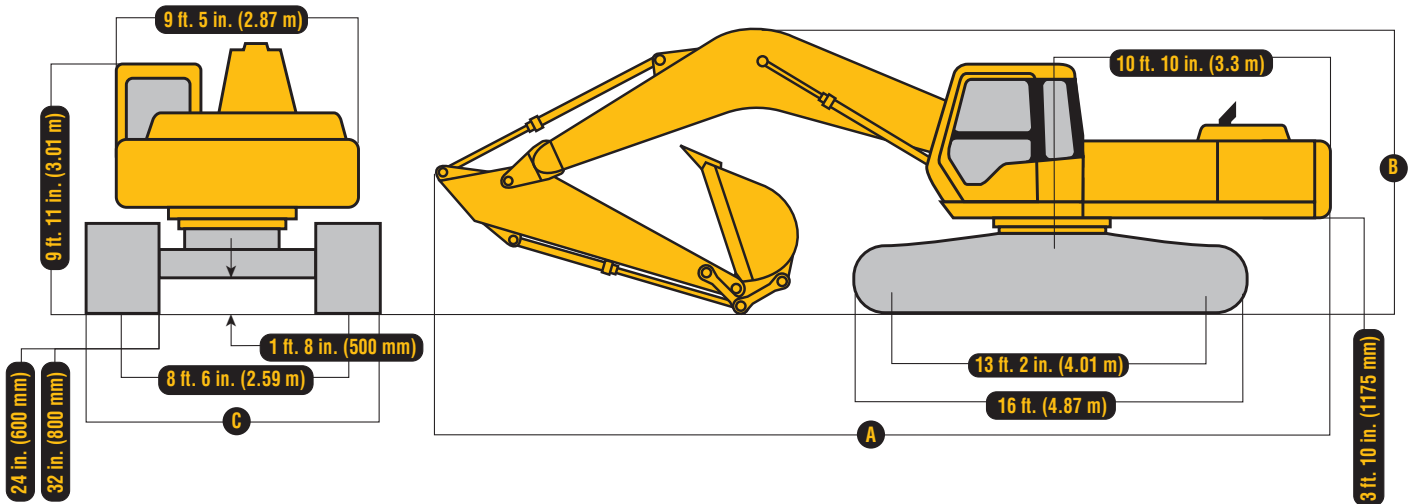
892E LC

A	With 7 ft. 7 in. (2.32 m) arm.....	33 ft. 8 in. (10.26 m)	
	With 9 ft. 9 in. (2.96 m) arm.....	33 ft. 2 in. (10.12 m)	
	With 11 ft. 11 in. (3.61 m) arm.....	33 ft. 5 in. (10.18 m)	
	With 8 ft. 9 in. (2.7 m) arm.....		36 ft. 3 in. (11.06 m)
	With 10 ft. 6 in. (3.2 m) arm.....		35 ft. 11 in. (10.94 m)
	With 13 ft. 1 in. (4.0 m) arm.....		36 ft. 1 in. (11.01 m)
B	With 7 ft. 7 in. (2.32 m) arm.....	10 ft. 8 in. (3.25 m)	
	With 9 ft. 9 in. (2.96 m) arm.....	10 ft. 0 in. (3.04 m)	
	With 11 ft. 11 in. (3.61 m) arm.....	10 ft. 9 in. (3.27 m)	
	With 8 ft. 9 in. (2.7 m) arm.....		11 ft. 2 in. (3.41 m)
	With 10 ft. 6 in. (3.2 m) arm.....		10 ft. 6 in. (3.20 m)
	With 13 ft. 1 in. (4.0 m) arm.....		11 ft. 5 in. (3.49 m)
C	With 24-in. (600 mm) shoes.....	10 ft. 6 in. (3.19 m)	10 ft. 6 in. (3.19 m)
	With 32-in. (800 mm) shoes.....	11 ft. 1 in. (3.39 m)	11 ft. 1 in. (3.39 m)

790E LC EXCAVATOR



892E LC EXCAVATOR



790E LC LIFT CAPACITIES

Boldface italic type indicates hydraulic-limited capacities; lightface type indicates stability-limited capacities, in lb. (kg). Ratings at bucket lift hook, machine equipped with 32-in. (800 mm) shoes; 1.38-cu. yd. (1.06 m³) 42-in. (1065 mm) wide, 1,785-lb. (809 kg) bucket; and situated on firm, uniform supporting surface. Total load includes weight of cables, hook, etc. Figures do not exceed 87 percent of hydraulic capacities or 75 percent of weight needed to tip machine.

Load Point Height	10 ft. (3.05 m)		15 ft. (4.57 m)		20 ft. (6.10 m)		25 ft. (7.62 m)		30 ft. (9.14 m)	
	Over Front	Over Side	Over Front	Over Side	Over Front	Over Side	Over Front	Over Side	Over Front	Over Side
<i>With 7 ft. 7 in. (2.32 m) arm</i>										
20 ft. (6.10 m)					9,896 (4489)	9,896 (4489)				
15 ft. (4.57 m)					11,047 (5011)	11,047 (5011)	10,358 (4698)	8,231 (3734)		
10 ft. (3.05 m)					13,250 (6010)	11,530 (5230)	11,217 (5088)	7,935 (3599)		
5 ft. (1.52 m)					15,616 (7083)	11,808 (5356)	12,208 (5538)	7,585 (3440)		
Ground Line						17,009 (7115)	10,339 (4690)	11,912 (5403)	7,314 (3318)	
-5 ft. (-1.52 m)			24,070 (10 918)	16,092 (7299)	16,816 (7628)	10,168 (4612)	11,789 (5347)	7,202 (3358)		
-10 ft. (-3.05 m)	20,888 (9475)	20,888 (9475)	22,264 (10 099)	16,305 (7396)	16,768 (7606)	10,251 (4650)				
-15 ft. (-4.57 m)			18,491 (8388)	16,797 (7619)	13,509 (6128)	10,675 (4842)				
<i>With 9 ft. 9 in. (2.96 m) arm</i>										
20 ft. (6.10 m)							7,384 (3349)	7,384 (3349)		
15 ft. (4.57 m)					9,667 (4385)	9,667 (4385)	9,213 (4179)	8,386 (3804)		
10 ft. (3.05 m)			15,764 (7151)	15,764 (7151)	11,966 (5428)	11,796 (5351)	10,287 (4666)	8,048 (3651)		
5 ft. (1.52 m)			21,252 (9640)	17,076 (7746)	14,562 (6605)	11,010 (4994)	11,631 (5276)	7,653 (3471)	8,266 (3749)	5,511 (2500)
Ground Line			24,110 (10 936)	16,201 (7349)	16,578 (7520)	10,427 (4730)	11,930 (5411)	7,322 (3321)	8,302 (3766)	5,361 (2432)
-5 ft. (-1.52 m)	11,445 (5191)	11,445 (5191)	24,530 (11 127)	15,989 (7253)	16,796 (7619)	10,139 (4599)	11,722 (5317)	7,132 (3235)		
-10 ft. (-3.05 m)	26,166 (11 869)	26,166 (11 869)	23,411 (10 619)	16,094 (7300)	16,767 (7606)	10,113 (4587)	11,721 (5317)	7,131 (3235)		
-15 ft. (-4.57 m)	27,989 (12 696)	27,989 (12 696)	20,571 (9331)	16,463 (7468)	15,270 (6926)	10,354 (4697)				
<i>With 11 ft. 10 in. (3.61 m) arm</i>										
20 ft. (6.10 m)							7,142 (3240)	7,142 (3240)		
15 ft. (4.57 m)							7,994 (3626)	7,994 (3626)	5,494 (2492)	5,494 (2492)
10 ft. (3.05 m)					10,439 (4735)	10,439 (4735)	9,190 (4169)	8,102 (3675)	7,485 (3395)	5,682 (2577)
5 ft. (1.52 m)			18,768 (8513)	17,553 (7692)	13,206 (5990)	11,136 (5051)	10,677 (4843)	7,654 (3472)	8,971 (4069)	5,459 (2476)
Ground Line			22,742 (10 316)	16,292 (7390)	15,583 (7068)	10,427 (4730)	11,878 (5388)	7,255 (3291)	8,245 (3740)	5,248 (2380)
-5 ft. (-1.52 m)	11,596 (5260)	11,596 (5260)	24,227 (10 989)	15,803 (7168)	16,680 (7566)	10,010 (4541)	11,585 (5255)	6,988 (3170)	8,603 (3902)	5,117 (2321)
-10 ft. (-3.05 m)	21,441 (9726)	21,441 (9726)	23,915 (10 848)	15,756 (7147)	16,527 (7497)	9,875 (4479)	11,484 (5209)	6,896 (3128)		
-15 ft. (-4.57 m)	31,376 (14 232)	31,376 (14 232)	21,950 (9957)	16,009 (7262)	16,143 (7322)	9,998 (4535)	11,641 (5280)	7,039 (3193)		
-20 ft. (-6.10 m)	24,213 (10 983)	24,213 (10 983)	17,471 (7925)	16,612 (7535)	12,309 (5583)	10,486 (4756)				

892E LC LIFT CAPACITIES

Boldface italic type indicates hydraulic-limited capacities; lightface type indicates stability-limited capacities, in lb. (kg). Ratings at bucket lift hook, machine equipped with 32-in. (800 mm) shoes; 2.3-cu. yd. (1.76 m³) 54-in. (1370 mm) wide, 2,557-lb. (1160 kg) bucket; and situated on firm, uniform supporting surface. Total load includes weight of cables, hook, etc. Figures do not exceed 87 percent of hydraulic capacities or 75 percent of weight needed to tip machine.

Load Point Height	10 ft. (3.05 m)		15 ft. (4.57 m)		20 ft. (6.10 m)		25 ft. (7.62 m)		30 ft. (9.14 m)	
	Over Front	Over Side	Over Front	Over Side	Over Front	Over Side	Over Front	Over Side	Over Front	Over Side
<i>With 8 ft. 9 in. (2.7 m) arm</i>										
20 ft. (6.10 m)							12,669 (5747)	12,222 (5543)		
15 ft. (4.57 m)					15,863 (7195)	15,863 (7195)	13,716 (6222)	11,788 (5347)	12,758 (5787)	8,365 (3794)
10 ft. (3.05 m)					19,237 (8726)	15,908 (7216)	15,337 (6957)	11,170 (5067)	13,343 (6052)	8,114 (3681)
5 ft. (1.52 m)					22,112 (10 030)	14,810 (6718)	16,912 (7671)	10,575 (4797)	13,044 (5917)	7,817 (3546)
Ground Line					23,401 (10 615)	14,227 (6453)	14,227 (6453)	10,161 (4609)	12,804 (5808)	7,596 (3446)
-5 ft. (-1.52 m)			22,107 (10 028)	22,107 (10 028)	23,081 (10 470)	14,069 (6382)	16,871 (7653)	9,988 (4531)	12,751 (5784)	7,547 (3423)
-10 ft. (-3.05 m)	32,205 (14 608)	32,205 (14 608)	20,093 (9114)	20,093 (9114)	21,209 (9620)	14,214 (6447)	16,437 (7456)	10,082 (4573)		
-15 ft. (-4.57 m)			21,263 (9645)	21,263 (9645)	17,021 (7721)	14,690 (6663)				
<i>With 10 ft. 6 in. (3.2 m) arm</i>										
20 ft. (6.10 m)							11,457 (5197)	11,457 (5197)	7,481 (3393)	7,481 (3393)
15 ft. (4.57 m)							12,655 (5740)	11,924 (5409)	11,771 (5339)	8,445 (3831)
10 ft. (3.05 m)			25,708 (11 661)	25,175 (11 419)	17,842 (8093)	16,241 (7367)	14,416 (6539)	11,279 (5116)	12,584 (5708)	8,135 (3690)
5 ft. (1.52 m)					21,092 (9567)	15,038 (6821)	16,201 (7349)	10,633 (4823)	13,029 (5910)	7,791 (3534)
Ground Line			20,003 (9073)	20,003 (9073)	22,977 (10 422)	14,228 (6481)	17,061 (7739)	10,144 (4601)	12,726 (5772)	7,512 (3407)
-5 ft. (-1.52 m)	13,847 (6281)	13,847 (6281)	19,294 (8752)	19,294 (8752)	23,254 (10 548)	13,989 (6345)	16,775 (7609)	9,886 (4484)	12,577 (5705)	7,374 (3345)
-10 ft. (-3.05 m)	25,768 (11 688)	25,768 (11 688)	24,656 (11 184)	22,393 (10 157)	21,990 (9975)	14,022 (6360)	16,765 (7604)	9,877 (4480)		
-15 ft. (-4.57 m)	18,717 (8490)	18,717 (8490)	23,934 (10 856)	22,939 (10 405)	18,764 (8511)	14,358 (6513)	13,908 (6309)	10,193 (4624)		
<i>With 13 ft. 1 in. (4.0 m) arm</i>										
20 ft. (6.10 m)									10,089 (4576)	9,049 (4105)
15 ft. (4.57 m)									10,664 (4837)	8,814 (3998)
10 ft. (3.05 m)			21,403 (9708)	21,403 (9708)	15,806 (7170)	15,806 (7170)	13,172 (5975)	11,712 (5313)	11,680 (5298)	8,440 (3828)
5 ft. (1.52 m)			28,671 (13 005)	23,971 (10 873)	19,495 (8843)	15,616 (7083)	15,216 (6902)	10,979 (4980)	12,826 (5818)	8,028 (3642)
Ground Line			27,538 (12 491)	22,503 (10 207)	22,147 (10 046)	14,620 (6632)	16,802 (7621)	10,371 (4704)	12,894 (5849)	7,667 (3478)
-5 ft. (-1.52 m)	15,219 (6903)	15,219 (6903)	26,124 (11 850)	22,074 (10 013)	23,277 (10 558)	14,097 (6394)	16,884 (7658)	9,985 (4529)	12,635 (5731)	7,429 (3370)
-10 ft. (-3.05 m)	20,837 (9452)	20,837 (9452)	28,584 (12 966)	22,125 (10 036)	22,886 (10 381)	13,955 (6330)	16,726 (7587)	9,843 (4465)	12,569 (5701)	7,368 (3342)
-15 ft. (-4.57 m)	21,592 (9794)	21,592 (9794)	27,282 (12 375)	22,506 (10 208)	20,809 (9439)	14,122 (6406)	15,973 (7245)	9,964 (4520)		
-20 ft. (-6.10 m)	26,611 (12 071)	26,611 (12 071)	20,975 (9514)	20,975 (9514)	16,063 (7286)	14,652 (6646)				

790E LC BUCKETS

A full line of buckets is offered to meet a wide variety of applications. The buckets have an adjustable bushing for side clearance, with the exception of the ditching bucket. Tooth selection includes either the John Deere Fanggs®, Standard, Tiger, Twin Tiger, Abrasion panel, or Flare tooth, or the ESCO (Vertalok) Standard, Tiger, Twin Tiger, or Flare tooth. Replaceable cutting edges are available through John Deere parts. Optional side cutters add 6 inches (150 mm) to bucket widths.

Type Bucket	Bucket Width		Bucket Capacity*		Weight		Bucket Dig Force		Arm Dig Force 7 ft. 7 in. (2.32 m)		Arm Dig Force 9 ft. 9 in. (2.96 m)		Arm Dig Force 11 ft. 10 in. (3.61 m)		Bucket Tip Radius		No. Teeth
	in.	mm	cu. yd.	m ³	lb.	kg	lb.	kN	lb.	kN	lb.	kN	lb.	kN	in.	mm	
General-Purpose Plate Lip	24	600	0.95	0.73	1,453	659	29,890	133.0	29,325	130.4	23,555	104.8	20,480	91.1	62.5	1588	3
	30	750	1.20	0.92	1,731	785	29,890	133.0	29,325	130.4	23,555	104.8	20,480	91.1	62.5	1588	4
	36	900	1.48	1.13	1,845	836	29,890	133.0	29,325	130.4	23,555	104.8	20,480	91.1	62.5	1588	5
	42	1065	1.38	1.06	1,785	809	33,065	147.1	30,520	135.8	24,370	108.4	21,100	93.9	56.5	1435	5
	42	1065	1.75	1.34	1,966	891	29,890	133.0	29,325	130.4	23,555	104.8	20,480	91.1	62.5	1588	5
48	1220	2.03	1.55	2,068	938	29,890	133.0	29,325	130.4	23,555	104.8	20,480	91.1	62.5	1588	6	
Heavy-Duty Plate Lip	30	750	0.95	0.73	1,930	876	33,065	147.1	30,520	135.8	24,370	108.4	21,100	93.9	56.5	1435	4
	36	900	1.16	0.89	2,075	942	33,065	147.1	30,520	135.8	24,370	108.4	21,100	93.9	56.5	1435	5
	42	1065	1.38	1.06	2,195	997	33,065	147.1	30,520	135.8	24,370	108.4	21,100	93.9	56.5	1435	5
	48	1220	1.60	1.22	2,359	1071	33,065	147.1	30,520	135.8	24,370	108.4	21,100	93.9	56.5	1435	6
	54	1370	1.82	1.39	2,507	1138	33,065	147.1	30,520	135.8	24,370	108.4	21,100	93.9	56.5	1435	7
Heavy-Duty High Capacity	24	600	0.92	0.70	1,765	800	29,890	133.0	29,325	130.4	23,555	104.8	20,480	91.1	62.5	1588	3
	30	750	1.20	0.92	2,010	911	29,890	133.0	29,325	130.4	23,555	104.8	20,480	91.1	62.5	1588	4
	36	900	1.48	1.13	2,133	967	29,890	133.0	29,325	130.4	23,555	104.8	20,480	91.1	62.5	1588	4
	42	1065	1.75	1.34	2,279	1033	29,890	133.0	29,325	130.4	23,555	104.8	20,480	91.1	62.5	1588	5
Severe-Duty Cast Lip	36	900	1.16	0.89	1,921	871	34,280	152.5	30,940	137.6	24,655	109.7	21,315	94.8	54.5	1384	5
	42	1065	1.38	1.06	2,119	961	34,280	152.5	30,940	137.6	24,655	109.7	21,315	94.8	54.5	1384	6
Severe-Duty Plate Lip	30	750	0.95	0.73	2,080	943	33,065	147.1	30,520	135.8	24,370	108.4	21,100	93.9	56.5	1435	4
	36	900	1.16	0.89	2,179	988	33,065	147.1	30,520	135.8	24,370	108.4	21,100	93.9	56.5	1435	4
	42	1065	1.38	1.06	2,345	1063	33,065	147.1	30,520	135.8	24,370	108.4	21,100	93.9	56.5	1435	5
Ditching	60	1500	1.34	1.02	1,562	708	39,750	176.8	32,620	145.1	25,780	114.7	22,160	98.6	47.0	1194	0
	72	1800	1.66	1.27	1,759	797	39,750	176.8	32,620	145.1	25,780	114.7	22,160	98.6	47.0	1194	0

*All capacities are SAE heaped ratings.

892E LC BUCKETS

A full line of buckets is offered to meet a wide variety of applications. The buckets have an adjustable bushing for side clearance, with the exception of the ditching bucket. Tooth selection includes either the John Deere Fanggs®, Standard, Tiger, Twin Tiger, Abrasion panel, or Flare tooth, or the ESCO (Vertalok) Standard, Tiger, Twin Tiger, or Flare tooth. Replaceable cutting edges are available through John Deere parts. Optional side cutters add 6 inches (150 mm) to bucket widths.

Type Bucket	Bucket Width		Bucket Capacity*		Weight		Bucket Dig Force		Arm Dig Force 8 ft. 9 in. (2.7 m)		Arm Dig Force 10 ft. 6 in. (3.2 m)		Arm Dig Force 13 ft. 1 in. (4.0 m)		Bucket Tip Radius		No. Teeth
	in.	mm	cu. yd.	m ³	lb.	kg	lb.	kN	lb.	kN	lb.	kN	lb.	kN	in.	mm	
General-Purpose Plate Lip	30	760	1.20	0.92	1,770	803	41,620	185.1	36,970	164.4	30,645	136.3	26,340	117.2	62.5	1588	4
	36	915	1.48	1.13	1,872	849	41,620	185.1	36,970	164.4	30,645	136.3	26,340	117.2	62.5	1588	4
	42	1065	1.75	1.34	1,998	906	41,620	185.1	36,970	164.4	30,645	136.3	26,340	117.2	62.5	1588	5
	48	1220	2.03	1.55	2,115	959	41,620	185.1	36,970	164.4	30,645	136.3	26,340	117.2	62.5	1588	6
	54	1370	2.30	1.76	2,215	1005	41,620	185.1	36,970	164.4	30,645	136.3	26,340	117.2	62.5	1588	7
60	1525	2.59	1.98	2,338	1060	41,620	185.1	36,970	164.4	30,645	136.3	26,340	117.2	62.5	1588	7	
General-Purpose High Capacity	30	760	1.26	0.96	2,420	1097	37,430	166.5	35,490	157.9	29,550	131.4	25,525	113.5	69.5	1765	4
	36	915	1.56	1.19	2,550	1156	37,430	166.5	35,490	157.9	29,550	131.4	25,525	113.5	69.5	1765	4
	42	1065	1.85	1.41	2,710	1229	37,430	166.5	35,490	157.9	29,550	131.4	25,525	113.5	69.5	1765	5
	48	1220	2.15	1.64	2,815	1277	37,430	166.5	35,490	157.9	29,550	131.4	25,525	113.5	69.5	1765	6
	54	1370	2.45	1.87	2,982	1352	37,430	166.5	35,490	157.9	29,550	131.4	25,525	113.5	69.5	1765	7
	60	1525	2.74	2.10	3,089	1401	37,430	166.5	35,490	157.9	29,550	131.4	25,525	113.5	69.5	1765	7
Heavy-Duty Plate Lip	36	915	1.48	1.13	2,138	970	41,620	185.1	36,970	164.4	30,645	136.3	26,340	117.2	62.5	1588	4
	42	1065	1.75	1.34	2,210	1002	41,620	185.1	36,970	164.4	30,645	136.3	26,340	117.2	62.5	1588	5
	48	1220	2.03	1.55	2,324	1054	41,620	185.1	36,970	164.4	30,645	136.3	26,340	117.2	62.5	1588	6
	54	1370	2.30	1.76	2,557	1160	41,620	185.1	36,970	164.4	30,645	136.3	26,340	117.2	62.5	1588	6
Heavy-Duty High Capacity	30	760	1.26	0.96	2,516	1141	37,430	166.5	35,490	157.9	29,550	131.4	25,525	113.5	69.5	1765	4
	36	915	1.56	1.19	2,781	1261	37,430	166.5	35,490	157.9	29,550	131.4	25,525	113.5	69.5	1765	4
	42	1065	1.85	1.41	3,120	1415	37,430	166.5	35,490	157.9	29,550	131.4	25,525	113.5	69.5	1765	5
	48	1220	2.15	1.64	3,318	1505	37,430	166.5	35,490	157.9	29,550	131.4	25,525	113.5	69.5	1765	6
	54	1370	2.45	1.87	3,562	1615	37,430	166.5	35,490	157.9	29,550	131.4	25,525	113.5	69.5	1765	6
Severe-Duty Cast Lip	42	1065	1.75	1.34	2,774	1258	40,020	178.0	36,425	162.0	30,245	134.5	26,045	115.8	65.0	1651	5
	48	1220	2.03	1.55	2,815	1277	40,020	178.0	36,425	162.0	30,245	134.5	26,045	115.8	65.0	1651	5
Severe-Duty Plate Lip	30	760	1.26	0.96	2,850	1292	35,150	156.3	34,595	153.9	28,885	128.5	25,030	111.3	74.0	1880	3
	36	915	1.56	1.19	3,024	1371	35,150	156.3	34,595	153.9	28,885	128.5	25,030	111.3	74.0	1880	4
	42	1065	1.85	1.41	3,343	1516	35,150	156.3	34,595	153.9	28,885	128.5	25,030	111.3	74.0	1880	4
	48	1220	2.15	1.64	3,522	1597	35,150	156.3	34,595	153.9	28,885	128.5	25,030	111.3	74.0	1880	5
Ditching	72	1830	1.66	1.27	2,531	1148	51,005	226.9	39,695	176.6	32,635	145.2	27,795	123.6	51.0	1295	0

*All capacities are SAE heaped ratings.

BUCKET SELECTION CHART

790E LC

892E LC

	<i>General-Purpose Bucket*</i>	<i>Heavy-Duty Bucket*</i>	<i>General-Purpose Bucket*</i>	<i>Heavy-Duty Bucket*</i>
Material (loose weight)				
Wood chips – 700 lb./cu. yd. (420 kg/m ³)	7.0 cu. yd. (5.4 m ³)	—	9.0 cu. yd. (6.9 m ³)	—
Peat, dry – 750 lb./cu. yd. (440 kg/m ³)	6.0 cu. yd. (4.6 m ³)	—	8.0 cu. yd. (6.1 m ³)	—
Cinders – 950 lb./cu. yd. (560 kg/m ³)	4.25 cu. yd. (3.2 m ³)	—	5.5 cu. yd. (4.2 m ³)	—
Peat, wet – 1,170 lb./cu. yd. (690 kg/m ³)	3.75 cu. yd. (2.9 m ³)	—	5.0 cu. yd. (3.8 m ³)	—
Topsoil – 1,600 lb./cu. yd. (950 kg/m ³)	2.5 cu. yd. (1.9 m ³)	—	4.0 cu. yd. (3.0 m ³)	—
Coal – 1,780 lb./cu. yd. (1050 kg/m ³)	2.5 cu. yd. (1.9 m ³)	—	3.5 cu. yd. (2.7 m ³)	3.25 cu. yd. (2.5 m ³)
Caliche – 2,100 lb./cu. yd. (1250 kg/m ³)	1.25–1.75 cu. yd. (1.0–1.3 m ³)	1.13–1.5 cu. yd. (0.9–1.1 m ³)	1.75–2.5 cu. yd. (1.3–1.9 m ³)	1.5–2.5 cu. yd. (1.1–1.9 m ³)
Earth, loam – 2,100 lb./cu. yd. (1250 kg/m ³)	1.75 cu. yd. (1.3 m ³)	1.5 cu. yd. (1.1 m ³)	2.75 cu. yd. (2.1 m ³)	2.5 cu. yd. (1.9 m ³)
Shale – 2,250 lb./cu. yd. (1330 kg/m ³)	1.75 cu. yd. (1.3 m ³)	1.5 cu. yd. (1.1 m ³)	2.75 cu. yd. (2.1 m ³)	2.5 cu. yd. (1.9 m ³)
Sand, dry – 2,400 lb./cu. yd. (1420 kg/m ³)	1.75 cu. yd. (1.3 m ³)	1.5 cu. yd. (1.1 m ³)	2.75 cu. yd. (2.1 m ³)	2.5 cu. yd. (1.9 m ³)
Clay, dry – 2,500 lb./cu. yd. (1480 kg/m ³)	1.25–1.75 cu. yd. (1.0–1.3 m ³)	1.38 cu. yd. (1.1 m ³)	2.0–2.5 cu. yd. (1.5–1.9 m ³)	1.75–2.25 cu. yd. (1.3–1.7 m ³)
Earth, dry – 2,550 lb./cu. yd. (1510 kg/m ³)	1.25–1.63 cu. yd. (1.0–1.2 m ³)	1.38 cu. yd. (1.1 m ³)	2.0–2.5 cu. yd. (1.5–1.9 m ³)	1.75–2.25 cu. yd. (1.3–1.7 m ³)
Limestone, broken or crushed – 2,600 lb./cu. yd. (1540 kg/m ³)	1.13–1.63 cu. yd. (0.9–1.2 m ³)	1.0–1.38 cu. yd. (0.8–1.0 m ³)	1.63–2.25 cu. yd. (1.2–1.7 m ³)	1.5–2.0 cu. yd. (1.1–1.5 m ³)
Earth, wet – 2,700 lb./cu. yd. (1600 kg/m ³)	1.75 cu. yd. (1.3 m ³)	1.63 cu. yd. (1.2 m ³)	2.0–2.5 cu. yd. (1.5–1.9 m ³)	1.75–2.25 cu. yd. (1.3–1.7 m ³)
Clay, wet – 2,800 lb./cu. yd. (1660 kg/m ³)	1.63 cu. yd. (1.2 m ³)	1.5 cu. yd. (1.1 m ³)	2.0–2.5 cu. yd. (1.5–1.9 m ³)	1.75–2.25 cu. yd. (1.3–1.7 m ³)
Rock, granite, blasted and broken – 2,800 lb./cu. yd. (1660 kg/m ³)	1.5–1.75 cu. yd. (1.1–1.3 m ³)	1.25–1.5 cu. yd. (1.0–1.1 m ³)	1.63–2.75 cu. yd. (1.2–2.1 m ³)	1.5–2.5 cu. yd. (1.1–1.9 m ³)
Sand, moist – 2,850 lb./cu. yd. (1690 kg/m ³)	1.63 cu. yd. (1.2 m ³)	1.5 cu. yd. (1.1 m ³)	2.25 cu. yd. (1.7 m ³)	2.1 cu. yd. (1.6 m ³)
Sand and gravel, dry – 2,900 lb./cu. yd. (1720 kg/m ³)	1.63 cu. yd. (1.2 m ³)	1.5 cu. yd. (1.1 m ³)	2.25 cu. yd. (1.7 m ³)	2.1 cu. yd. (1.6 m ³)
Sand, wet – 3,100 lb./cu. yd. (1840 kg/m ³)	1.5 cu. yd. (1.1 m ³)	1.38 cu. yd. (1.0 m ³)	2.15 cu. yd. (1.6 m ³)	2.0 cu. yd. (1.5 m ³)
Sand and gravel, wet – 3,400 lb./cu. yd. (2020 kg/m ³)	1.5 cu. yd. (1.1 m ³)	1.38 cu. yd. (1.0 m ³)	2.0 cu. yd. (1.5 m ³)	1.85 cu. yd. (1.4 m ³)

*Contact your John Deere dealer for optimum bucket and attachment selections. These recommendations are for general conditions and average use. Larger buckets may be possible for flat and level operations, less compacted materials, and volume loading applications such as mass excavation applications in ideal conditions. Smaller buckets are recommended for adverse conditions such as off-level applications and uneven surfaces. Bucket capacity indicated is SAE heaped.

	790E	892E		790E	892E		790E	892E
ENGINE								
Auto-idle system	●	●	Arm, 8 ft. 9 in. (2.70 m)	■	■	Hydraulic warm-up control	●	●
Automatic belt tension device	●	●	Arm, 10 ft. 6 in. (3.20 m)	■	■	Interior light	●	●
Batteries (two 12 volt), 180-min. (1,250 CCA) reserve capacity	●	●	Arm, 13 ft. 1 in. (4.00 m)	■	■	Isolation mounted	●	●
Coolant recovery tank	●	●	Attachment quick couplers	■	■	Mode selectors (illuminated)	●	●
Dual element dry-type air filter	●	●	Boom cylinder with plumbing to mainframe for no-boom-arm option	■	■	Power modes – four	●	●
Electric ether starting aid	●	●	Bucket	■	■	Travel modes – three with automatic shift	●	●
Enclosed fan guard	●	●	Ditching	■	■	Work modes – four	●	●
Conforms to SAE J1308	●	●	General purpose	■	■	Monitor system with alarm features	●	●
Engine coolant to -34°F (-37°C)	●	●	General purpose, high capacity	■	■	Auto-idle indicator light	●	●
Fuel/water separator	●	●	Heavy duty	■	■	Engine air cleaner restriction indicator light	●	●
Full-flow oil filter	●	●	Heavy duty, high capacity	■	■	Engine coolant temperature indicator light with audible alarm	●	●
Isolation mounted	●	●	Severe duty, cast lip	■	■	Engine oil pressure indicator light with audible alarm	●	●
John Deere quick release fuel filter	●	●	Severe duty, plate lip	■	■	Fluid level	●	●
Key start switch with electric fuel shutoff	●	●	Side cutters and teeth	■	■	Engine coolant level indicator light	●	●
Oil-to-coolant engine oil cooler	●	●	Bucket-to-arm clearance adjustable bushing (except ditching bucket)	●	●	Engine oil level indicator light	●	●
Radiator trash screen	●	●	Centralized lubrication system	●	●	Hydraulic oil level indicator light	●	●
Underhood muffler with vertical curved end exhaust stack	●	●	Dirt seals on all bucket pins	●	●	Hydraulic oil filter restriction indicator light	■	■
HYDRAULIC SYSTEM			Laser depth systems	■	■	Hydraulic warm-up indicator light	●	●
Anti-drift valve for boom down, arm	●	●	Material clamps	■	■	Low alternator charge indicator light	●	●
Auxiliary hydraulic valve section	●	●	No-boom-arm option	■	■	Low fuel indicator light	●	●
Auxiliary pilot and electric controls	■	■	OPERATOR'S STATION			Work-lights-on indicator light	●	●
Hydraulic filter restriction indicator kit	■	■	Adjustable independent control positions (levers-to-seat, seat-to-pedals)	●	●	Motion alarm with cancel switch	●	●
UNDERCARRIAGE			Air conditioning (dealer installed)	■	■	Conforms to SAE J994	●	●
Planetary drive	●	●	Alternate pilot control pattern	■	■	Power boost switch on right control lever	●	●
Propel motor shields	●	●	AM/FM radio (dealer installed)	■	■	Propel pedals and levers	●	●
Three-speed propel with automatic shift	●	●	Built-in Operator's Manual storage compartment and manual	●	●	SAE two lever control pattern	●	●
Track guides, front idler and center	●	●	Coat hook	●	●	Seat belt, 2 in. (51 mm)	●	●
Triple semi-grouser shoes, 24 in. (600 mm)	●	●	Defroster fan	●	●	Seat belt, 3 in. (76 mm)	■	■
Triple semi-grouser shoes, 32 in. (800 mm)	■	■	Deluxe suspension cloth seat with adjustable armrests	●	●	Sound suppression	●	●
Upper carrier rollers (2)	●	●	Floor mat	●	●	Tinted glass	●	●
UPPERSTRUCTURE			Front windshield wiper	●	●	24- to 12-volt D.C. radio converters	■	■
Right- and left-hand mirrors	●	●	Constant speed	●	●	Window vandal protection covers	■	■
Vandal locks with ignition key	●	●	Intermittent speed	●	●	ELECTRICAL		
Cab door	●	●	Gauges (illuminated)	●	●	Blade-type multi-fused circuits	●	●
Fuel cap	●	●	Engine coolant	●	●	By-pass start safety cover on starter	●	●
Hydraulic reservoir	●	●	Fuel	●	●	Positive terminal battery covers	●	●
Service doors	●	●	Heater, 20,000 Btu/hr (5.9 kW) with blower fan	●	●	LIGHTS		
FRONT ATTACHMENTS			Hinged roof panel	●	●	Work lights	●	●
Arm, 7 ft. 7 in. (2.32 m)	■	■	Horn, electric	●	●	Halogen, 33,000 candlepower (375,757 lux)	●	●
Arm, 9 ft. 9 in. (2.96 m)	■	■	Hourmeter, electric	●	●	One mounted on boom	●	●
Arm, 11 ft. 10 in. (3.61 m)	■	■		●	●	Two mounted on frame	●	●

KEY: ● Standard equipment ■ Optional or special equipment

See your John Deere dealer for further information.

THE JDAdvantEDGE

JDAdvantEdge is a wealth of support programs, parts systems, and dealer resources, all designed to give you the edge. This package of special benefits is a major reason why John Deere offers the "best value" for your equipment dollar.

Best parts support – Twelve regional parts depots in North America and others around the world put parts support near your job no matter where in the world it is.

A computerized FLASH™ parts locating system linking these depots to dealerships can find out-of-stock parts in a hurry and get them into your hands fast. Usually within 24 hours.

Best service backup – Dealer service technicians are regularly schooled, at our modern facility in Davenport, Iowa, or by professionals in the field, to diagnose quickly and repair efficiently.

If they're stumped, a phone call to DTAC (Dealer Technical Assistance Center) puts them in touch with a staff of pros at the factory who help them find a solution quickly.

Best dealers – Your John Deere dealer is an important contributor to the JDAdvantEdge. He or she is committed to being the best equipment supplier you can work with.

This is a dollars-and-cents commitment in parts inventory, in service facilities, in field-service trucks. It's a sweat-and-blood commitment in dedicated, skilled, and highly trained and motivated personnel in each and every department at the dealership.

But what sets John Deere dealers apart from all the rest is something more, a factor somewhat difficult to measure ... a caring attitude, and a sincere desire to be the best at meeting the needs of each individual customer.

John Deere Finance Plans – Whether you rent, lease, or buy John Deere equipment, your dealer can explain the John Deere options available. One-stop options that let you free up operating capital, keep other lines of credit open. More solid benefits of the JDAdvantEdge.

Best protection – In addition to the new equipment warranty that meets or exceeds the competition, SECURE® extended coverage, an optional service product for John Deere equipment, is available for repair coverage after the warranty concludes. Full machine or power train coverage is available for a variety of time periods to meet your needs. Consult your dealer for availability and details.



Net engine power is with standard equipment including air cleaner, exhaust system, alternator, and cooling fan, at standard conditions per SAE J1349 and DIN 6270B, using No. 2-D fuel at 35 API gravity. No derating is required up to 10,000 ft. (3050 m) altitude. Gross power is without cooling fan.

Specifications and design subject to change without notice. Wherever applicable, specifications are in accordance with PCSA and SAE standards. Except where otherwise noted, these specifications are based on units with 32-in. (800 mm) triple grouser shoes, full fuel tank, and 175-lb. (79 kg) operator; a 790E LC unit with 42-in. (1065 mm) 1.38 cu. yd. (1.06 m³) bucket and 11,180 lb. (5050 kg) counterweight; and an 892E LC unit with 13 ft. 1 in. (4.0 m) arm, 54-in. (1372 mm) bucket, and counterweight.

