

204 G

Compact Wheel Loader



JOHN DEERE



204 G-TIER COMPACT WHEEL LOADER

SAY HELLO TO NEW POSSIBILITIES

The John Deere G-Tier Compact Wheel Loader lineup delivers rugged, reliable, and economical solutions that don't sacrifice equipment quality or dealer support. Simple and intuitive machine functionality is a perfect fit for novice operators, while performance-enhancing options expand capabilities to boost the performance of experienced pros. Whether you work in site development, landscaping, or ag material handling, the compact stature with outsize ability of the 204 G-tier is just one of the many customer-inspired ideas designed to move your operation to a new level of productivity.

FEATURES



Comfort in the cab

New cab design features frameless doors and an expansive ceiling-to-floor windshield with a clear view to the front tires. Adjustable display mounted on the A-post rail provides a wealth of operating info. Optimized airflow through the HVAC system enhances operator comfort.

Low-profile overachiever

At just under 8-feet tall with open ROPS canopy design — shorter than some other wheel loaders in its class — the 204 G-tier can capably maneuver in a variety of low-clearance working conditions.

It's all about control

Easily control hydraulic attachments like brooms and snow blowers with the optional attachment-assist package.* System includes third-function mini-joystick and combined creep control and throttle lock that allows the operator to lock in engine speed to maintain consistent hydraulic flow as needed.

*Available for cab-equipped models only.

Complete your bucket list

Ideally sized for material-handling applications, the new Deere-designed 0.9-cubic-yard bucket can be effortlessly attached to either a Quik-Tatch or hook/Euro-style coupler.



**NEW 0.9-CU.-YD. QUIK-TATCH™
& HOOK/EURO-STYLE BUCKET
BOOSTS VERSATILITY**

Power up

Smooth-running turbocharged Yanmar engine packs plenty of power and torque reserve. Limited-slip differential lock automatically delivers power to the tire with the best traction, for extra bucket-filling effort.

Keep things simple

Ground-level fuel fill and extended service intervals help simplify routine maintenance.

Close at hand

Boom, bucket, F-N-R, and third-function hydraulics are positioned on the same ergonomic low-effort lever, for convenient one-hand control. Handy switches put control of the coupler, travel speed, park brake, lights, and other functions within easy reach.

Ride it out

Operator-defined settings allow optional speed-activated ride control to automatically switch off and on when established speed thresholds are reached.

The choice is yours

ROPS-certified open-canopy model is designed to withstand the elements — with weather-resistant gauges, an extended rooftop, nonskid floor mats, and optional vandal proofing. For year-round comfort, opt for a heated and air-conditioned low-profile cab.

Go with the flow

Cooling package has been redesigned with larger entry/exit screens to optimize flow and performance.



204 G-TIER COMPACT WHEEL LOADER



NEW LARGER FUEL TANK

**LETS YOU RUN LONGER
BETWEEN FILL-UPS OVER
L-SERIES MACHINES**



Keep working longer

New larger fuel tank lets you run longer between fill-ups. Durable plastic construction helps prevent damage and rust, extending wear life.

Business booster

John Deere attachments are a great way to expand the flexibility of your operation. With more than 100 models, they'll help you broaden your abilities, work smarter, and accomplish even more.

Here to back you up

Parts and service are always available at over 1,400 John Deere dealer locations throughout North America.



While general information, pictures, and descriptions are provided, some illustrations and text may include product options and accessories NOT AVAILABLE in all regions, and in some countries products and accessories may require modifications or additions to ensure compliance with the local regulations of those countries.

Engine		204 G-TIER
Manufacturer and Model	Yanmar 4TNV86CHT-M	
Non-Road Emission Standard	EPA Final Tier 4 / EU Stage V	
Cylinders	4	
Valves per Cylinder	4	
Displacement	2.1 L (128 cu. in.)	
Net Peak Power at 2,200 rpm (SAE J1349 / ISO 9249)	47 kW (62 hp)	
Gross Rated Power at 2,200 rpm (ISO 14396)	49 kW (65 hp)	
Peak Torque at 1,690 rpm (SAE J1349 / ISO 9249)	216 Nm (293 lb.-ft.)	
Engine Bore and Stroke	86 x 90 mm (3.39 x 3.54 in.)	
Lubrication	Pressure system with full-flow spin-on filter	
Aspiration	Turbocharged	
Air Cleaner	Dual safety element dry type	
Cooling		
Fan	Direct driven	
Engine Coolant Rating	-37 deg. C (-34 deg. F)	
Powertrain		
Type	Hydrostatic (HST) with infinitely variable speed control over full range of operating speeds; 2 speed ranges; joystick-mounted F-N-R; acceleration pedal; HST inching pedal, which allows infinitely reduced travel speeds while maintaining full engine rpm and hydraulic flow	
2 Travel Speeds in Forward and Reverse (equipped with 365/70R18 tires)		
Gear 1	6.0 km/h (3.7 mph)	
Gear 2	20.0 km/h (12.4 mph)	
Axles		Rigid-mount front and rear axles with 10-deg. frame oscillation
Rear-Axle Versus Front-Axle Oscillation	20 deg. total, stop to stop	
Differentials		45% locking front and rear differentials
Maximum Rise and Fall, Single Wheel	254 mm (10 in.)	
Steering		Hydraulic power steering (SAE J1511); 40-deg. articulation left and right
Steering Wheel Turns, Stop to Stop	3.5 left to 4.5 right	
Articulation Angle	80-deg. arc (40 deg. each direction)	
Final Drive		Heavy-duty outboard planetary
Brakes (SAE J1473 / ISO 3450)		
Service Brakes	Hydraulically actuated, self-adjusting internal wet-disc brake and driveline drum brake	
Parking Brake	Automatically spring-applied, hydraulically released, internal wet disc	
Hydraulics		
Main Pump (loader and steering)		Fixed-displacement gear pump; open-center system
Maximum Rated Flow at 6895 kPa (1,000 psi)	70 L/m (18 gpm)	
Maximum Pressure at Couplings	23 000 kPa (3,336 psi)	
System Relief Pressure		
Loader	23 000 kPa (3,336 psi)	
Steering	18 000 kPa (2,611 psi)	
Hydraulic Cycle Time		
Raise	5.6 sec.	
Dump	1.5 sec.	
Lower (power down)	3.5 sec.	
Total	10.6 sec.	
Controls		3-function valve with single-lever control for boom and bucket, with hydraulic lockout feature; joystick-mounted push-button electrohydraulic (EH) control for auxiliary hydraulics, with hydraulic lockout feature; ride control electrically actuated for improved ride quality (factory and field option)
Cylinders		
Type	Heat-treated, chrome-plated, polished cylinder rods; hardened steel (replaceable bushings) pivot pins	

204 G-TIER WHEEL LOADER SPECIFICATIONS

204

G

While general information, pictures, and descriptions are provided, some illustrations and text may include product options and accessories NOT AVAILABLE in all regions, and in some countries products and accessories may require modifications or additions to ensure compliance with the local regulations of those countries.

Electrical		204 G-TIER	
Type	Electrical load center with blade-type multi-fused circuits		
Voltage	12 volt		
Number of Batteries	1		
Battery Capacity	830 CCA		
Alternator Rating	80 amp		
Lights (SAE 99)	Driving/front working lights (2), rear working lights (2), turn signals, flashers, and stop- and taillights		
Operator's Station			
Noise Level (ISO 6396)			
Operator Ear	78 dba		
Bystander	101 dba		
Tires/Wheels			
Tires on Single-Piece Rims	Tread Width*	Width Over Tires [†]	Change in Vertical Height
365/70R18 Mitas EM-01 (standard)	1370 mm (4 ft. 6 in.)	1780 mm (5 ft. 10 in.)	—
400/70R20 Michelin XMCL (optional)	1360 mm (4 ft. 6 in.)	1820 mm (6 ft. 0 in.)	44 mm (1.7 in.)
405/70R18 Firestone Duraforce (optional)	1360 mm (4 ft. 6 in.)	1820 mm (6 ft. 0 in.)	23 mm (0.9 in.)
400/70R20 Nokian Hakkapeliitta Tri (optional)	1360 mm (4 ft. 6 in.)	1810 mm (5 ft. 11 in.)	48 mm (1.9 in.)
*Also see J in Dimensions section on pages 8 and 9. / [†] Also see K in Dimensions section on pages 8 and 9.			
Serviceability			
Refill Capacities		Refill Capacities (continued)	
Cooling System (engine and radiator)	10.0 L (10.6 qt.)	Fuel Tank	62.0 L (16.4 gal.)
Differential and Planetary Axle		Hydraulic/HST Reservoir	45.0 L (11.9 gal.)
Front	5.5 L (5.8 qt.)	With Filter	
Rear	6.0 L (6.3 qt.)	HST Motor Gearbox	0.5 L (0.5 qt.)
Engine Oil With Filter	7.4 L (7.8 qt.)		
Operating Weights			
With standard equipment, 365/70R18 tires, standard counterweight, 79-kg (175 lb.) operator, and full fuel tank			
	With Enclosed Cab		With Open ROPS
Quik-Tatch™ Quick-Coupler			
With 0.7-m ³ (0.9 cu. yd.) General-Purpose Bucket	5220 kg (11,508 lb.)		5170 kg (11,398 lb.)
With Bolt-On Edge			
With 0.8-m ³ (1.0 cu. yd.) General-Purpose Bucket	5235 kg (11,541 lb.)		5185 kg (11,431 lb.)
With Bolt-On Edge			
With 1.1-m ³ (1.4 cu. yd.) General-Purpose Bucket	5345 kg (11,784 lb.)		5295 kg (11,673 lb.)
Bucket With Bolt-On Edge			
With Fork	5115 kg (11,277 lb.)		5140 kg (11,322 lb.)
Hook/Euro Quick-Coupler			
With 0.7-m ³ (0.9 cu. yd.) General-Purpose Bucket	5005 kg (11,034 lb.)		4955 kg (10,924 lb.)
With Bolt-On Edge			
With 0.8-m ³ (1.0 cu. yd.) General-Purpose Bucket	5040 kg (11,111 lb.)		4990 kg (11,001 lb.)
With Bolt-On Edge			
With 1.1-m ³ (1.4 cu. yd.) General-Purpose Bucket	5160 kg (11,376 lb.)		5110 kg (11,266 lb.)
With Bolt-On Edge			
With Fork	4930 kg (10,869 lb.)		4880 kg (10,759 lb.)
Optional Components			
Quik-Tatch Quick-Coupler			
With 0.7-m ³ (0.9 cu. yd.) Bucket	389 kg (858 lb.)		389 kg (858 lb.)
With 0.8-m ³ (1.0 cu. yd.) Bucket	405 kg (893 lb.)		405 kg (893 lb.)
With 1.1-m ³ (1.4 cu. yd.) Bucket	481 kg (1,061 lb.)		481 kg (1,061 lb.)
With Fork and 1.2-m (48 in.) Tines	328 kg (723 lb.)		328 kg (723 lb.)
With Fork and 1.52-m (60 in.) Tines	357 kg (787 lb.)		357 kg (787 lb.)
Hook/Euro Quick-Coupler			
With 0.7-m ³ (0.9 cu. yd.) Bucket	306 kg (675 lb.)		306 kg (675 lb.)
With 0.8-m ³ (1.0 cu. yd.) Bucket	337 kg (743 lb.)		337 kg (743 lb.)
With 1.1-m ³ (1.4 cu. yd.) Bucket	457 kg (1,008 lb.)		457 kg (1,008 lb.)
With Fork and Tines	235 kg (518 lb.)		235 kg (518 lb.)

204 G-TIER

While general information, pictures, and descriptions are provided, some illustrations and text may include product options and accessories NOT AVAILABLE in all regions, and in some countries products and accessories may require modifications or additions to ensure compliance with the local regulations of those countries.

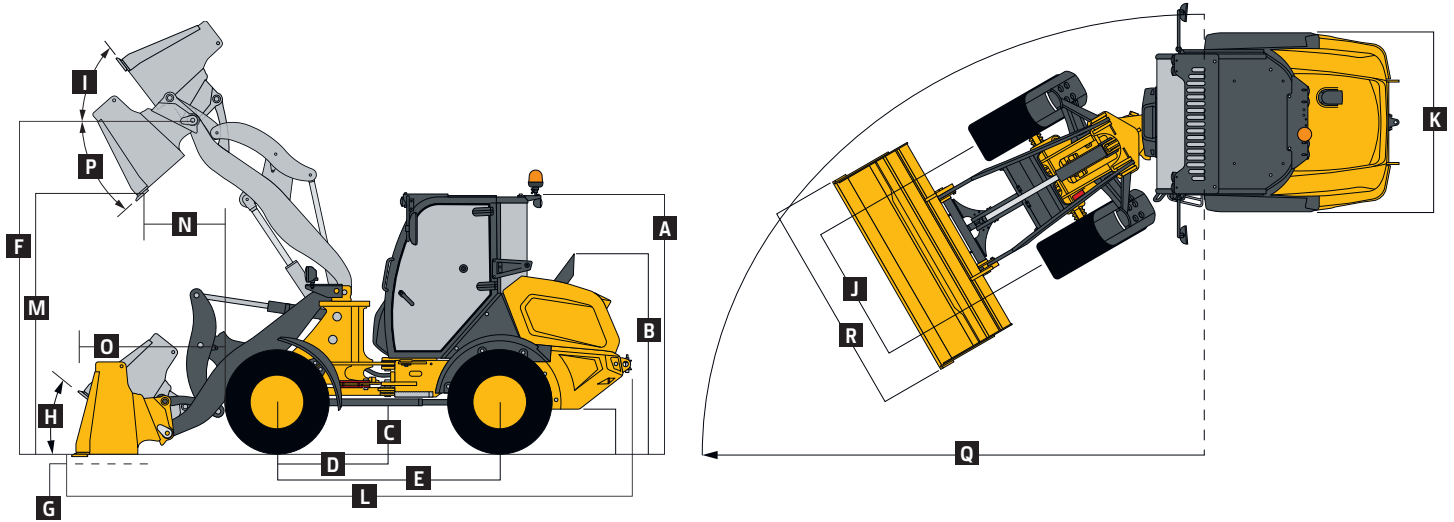
Dimensions and Specifications With Quik-Tatch Coupler and Bucket OR With Hook/Euro Quick-Coupler and Bucket			
	204 G-TIER		
Dimensions With Quik-Tatch Coupler OR With Hook/Euro Quick-Coupler / With General-Purpose (GP) Bucket With Bolt-On Edge			
	0.7 m ³ (0.9 cu. yd.)	0.8 m ³ (1.0 cu. yd.)	1.1 m ³ (1.4 cu. yd.)
A Height to Top of Cab	2458 mm (8 ft. 1 in.)	2458 mm (8 ft. 1 in.)	2458 mm (8 ft. 1 in.)
A' Height to Top of Canopy	2430 mm (8 ft. 0 in.)	2430 mm (8 ft. 0 in.)	2430 mm (8 ft. 0 in.)
B Height to Top of Exhaust	1860 mm (6 ft. 1 in.)	1860 mm (6 ft. 1 in.)	1860 mm (6 ft. 1 in.)
C Ground Clearance	296 mm (12 in.)	296 mm (12 in.)	296 mm (12 in.)
D Length From Centerline to Front Axle	1070 mm (3 ft. 6 in.)	1070 mm (3 ft. 6 in.)	1070 mm (3 ft. 6 in.)
E Wheelbase	2150 mm (7 ft. 1 in.)	2150 mm (7 ft. 1 in.)	2150 mm (7 ft. 1 in.)
F Height to Hinge Pin, Fully Raised	3160 mm (10 ft. 4 in.)	3160 mm (10 ft. 4 in.)	3160 mm (10 ft. 4 in.)
G Maximum Digging Depth	80 mm (3 in.)	80 mm (3 in.)	80 mm (3 in.)
H Maximum Rollback at Ground Level	42 deg.	42 deg.	42 deg.
I Maximum Rollback at Full Height	65 deg.	65 deg.	65 deg.
J Tread Width (standard) ⁸	1370 mm (4 ft. 6 in.)	1370 mm (4 ft. 6 in.)	1370 mm (4 ft. 6 in.)
K Width Over Tires (standard) ⁸	1780 mm (5 ft. 10 in.)	1780 mm (5 ft. 10 in.)	1780 mm (5 ft. 10 in.)
⁸ Also see Tires/Wheels section on page 7.			
Dimensions With Quik-Tatch Coupler and GP Bucket With Bolt-On Edge			
L Overall Length, Bucket on Ground	5420 mm (17 ft. 9 in.)	5450 mm (17 ft. 11 in.)	5520 mm (18 ft. 1 in.)
M Dump Clearance, 40-deg. Full Height	2420 mm (7 ft. 11 in.)	2390 mm (7 ft. 10 in.)	2350 mm (7 ft. 9 in.)
N Reach, 40-deg. Dump, Full Height	859 mm (34 in.)	888 mm (35 in.)	930 mm (3 ft. 1 in.)
O Maximum Reach, 42-deg. Dump	1580 mm (5 ft. 2 in.)	1600 mm (5 ft. 3 in.)	1650 mm (5 ft. 5 in.)
P Bucket Dump at Full Height	40 deg.	40 deg.	40 deg.
Q Turning Circle Radius Over Outside of Bucket Edge	4330 mm (14 ft. 2 in.)	4340 mm (14 ft. 3 in.)	4500 mm (14 ft. 9 in.)
R Bucket Width	1.90 m (6 ft. 3 in.)	1.90 m (6 ft. 3 in.)	2.20 m (7 ft. 3 in.)
Specifications With Quik-Tatch Coupler and GP Bucket With Bolt-On Edge			
Capacity, Heaped, SAE	0.7 m ³ (0.9 cu. yd.)	0.8 m ³ (1.1 cu. yd.)	1.1 m ³ (1.4 cu. yd.)
Capacity, Struck, SAE	0.6 m ³ (0.8 cu. yd.)	0.7 m ³ (0.9 cu. yd.)	0.9 m ³ (1.2 cu. yd.)
Breakout Force, SAE J732C	4180 kg (9,215 lb.)	3870 kg (8,532 lb.)	3460 kg (7,628 lb.)
Tipping Load, Straight	3500 kg (7,716 lb.)	3460 kg (7,628 lb.)	3340 kg (7,363 lb.)
Tipping Load, Full Turn, SAE	3090 kg (6,812 lb.)	3060 kg (6,746 lb.)	2950 kg (6,504 lb.)
Rated Operating Load, 50% of Full-Turn Tipping Load (conforms to ISO 14397-1)*	1545 kg (3,406 lb.)	1530 kg (3,373 lb.)	1475 kg (3,252 lb.)
<i>*Rated operating capacity based on Deere attachments only.</i>			
Dimensions With Hook/Euro Quick-Coupler and GP Bucket With Bolt-On Edge			
L Overall Length, Bucket on Ground	5289 mm (17 ft. 4 in.)	5330 mm (17 ft. 6 in.)	5390 mm (17 ft. 8 in.)
M Dump Clearance, 40-deg. Full Height	2470 mm (8 ft. 1 in.)	2440 mm (8 ft. 0 in.)	2400 mm (7 ft. 10 in.)
N Reach, 40-deg. Dump, Full Height	718 mm (28 in.)	746 mm (29 in.)	789 mm (31 in.)
O Maximum Reach, 42-deg. Dump	1490 mm (4 ft. 11 in.)	1518 mm (5 ft. 0 in.)	1560 mm (5 ft. 1 in.)
P Bucket Dump at Full Height	42 deg.	42 deg.	42 deg.
Q Turning Circle Radius Over Outside of Bucket Edge	4240 mm (13 ft. 11 in.)	4300 mm (14 ft. 1 in.)	4457 mm (14 ft. 7 in.)
R Bucket Width	1.90 m (6 ft. 3 in.)	1.90 m (6 ft. 3 in.)	2.20 m (7 ft. 3 in.)
Specifications With Hook/Euro Quick-Coupler and GP Bucket With Bolt-On Edge			
Capacity, Heaped, SAE	0.7 m ³ (0.9 cu. yd.)	0.8 m ³ (1.1 cu. yd.)	1.1 m ³ (1.4 cu. yd.)
Capacity, Struck, SAE	0.6 m ³ (0.8 cu. yd.)	0.7 m ³ (0.9 cu. yd.)	0.9 m ³ (1.2 cu. yd.)
Breakout Force, SAE J732C	5200 kg (11,464 lb.)	4890 kg (10,781 lb.)	4380 kg (9,656 lb.)
Tipping Load, Straight	3960 kg (8,730 lb.)	3910 kg (8,620 lb.)	3770 kg (8,311 lb.)
Tipping Load, Full Turn, SAE	3500 kg (7,716 lb.)	3450 kg (7,606 lb.)	3330 kg (7,341 lb.)
Rated Operating Load, 50% of Full-Turn Tipping Load (conforms to ISO 14397-1)*	1750 kg (3,858 lb.)	1725 kg (3,803 lb.)	1660 kg (3,660 lb.)
<i>*Rated operating capacity based on Deere attachments only.</i>			

While general information, pictures, and descriptions are provided, some illustrations and text may include product options and accessories NOT AVAILABLE in all regions, and in some countries products and accessories may require modifications or additions to ensure compliance with the local regulations of those countries.

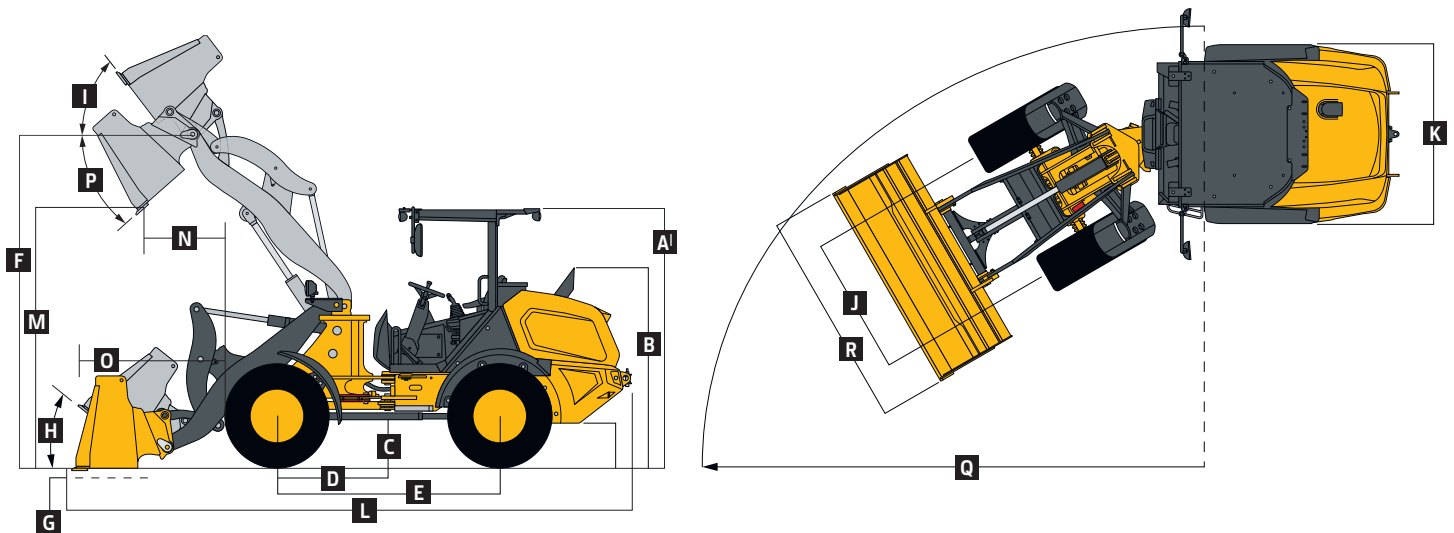
Dimensions and Specifications With Quik-Tatch Coupler and Bucket OR With Hook/Euro Quick-Coupler and Bucket (continued)

204 G-TIER

204 G-TIER LOADER WITH CAB, QUIK-TATCH COUPLER OR HOOK/EURO QUICK-COUPLER, AND BUCKET



204 G-TIER LOADER WITH CANOPY, QUIK-TATCH COUPLER OR HOOK/EURO QUICK-COUPLER, AND BUCKET



204 G-TIER

While general information, pictures, and descriptions are provided, some illustrations and text may include product options and accessories NOT AVAILABLE in all regions, and in some countries products and accessories may require modifications or additions to ensure compliance with the local regulations of those countries.

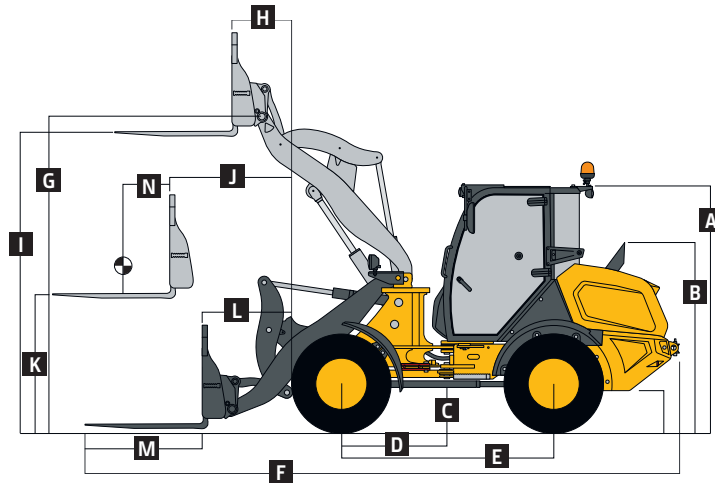
Dimensions and Specifications With Quik-Tatch Coupler and Fork OR With Hook/Euro Quick-Coupler and Fork

204 G-TIER

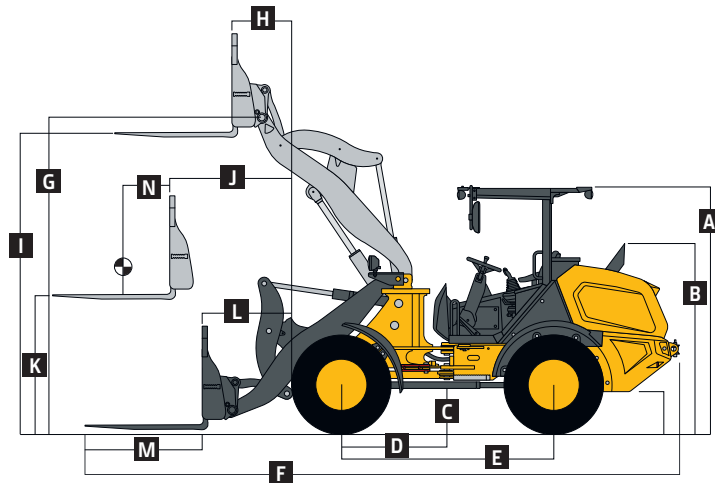
	Quik-Tatch Coupler and 1.2-m (48 in.) tine length	Quik-Tatch Coupler and 1.52-m (60 in.) tine length	Hook/Euro Quick-Coupler and 1.2-m (48 in.) tine length
Dimensions With Fork			
A	Height to Top of Cab	2458 mm (8 ft. 1 in.)	2458 mm (8 ft. 1 in.)
A ¹	Height to Top of Canopy	2430 mm (8 ft. 0 in.)	2430 mm (8 ft. 0 in.)
B	Height to Top of Exhaust	1860 mm (6 ft. 1 in.)	1860 mm (6 ft. 1 in.)
C	Ground Clearance	296 mm (12 in.)	296 mm (12 in.)
D	Length From Centerline to Front Axle	1070 mm (3 ft. 6 in.)	1070 mm (3 ft. 6 in.)
E	Wheelbase	2150 mm (7 ft. 1 in.)	2150 mm (7 ft. 1 in.)
F	Overall Length, Forks on Ground	6070 mm (19 ft. 11 in.)	6350 mm (20 ft. 10 in.)
G	Height to Hinge Pin, Fully Raised	3160 mm (10 ft. 4 in.)	3160 mm (10 ft. 4 in.)
H	Reach, Fully Raised	571 mm (22 in.)	571 mm (22 in.)
I	Fork Height, Fully Raised	2970 mm (9 ft. 9 in.)	2990 mm (9 ft. 10 in.)
J	Maximum Reach, Fork Level	1325 mm (4 ft. 4 in.)	1240 mm (4 ft. 1 in.)
K	Fork Height, Maximum Reach	1310 mm (4 ft. 4 in.)	1330 mm (4 ft. 4 in.)
L	Reach, Ground Level	935 mm (3 ft. 1 in.)	829 mm (33 in.)
M	Tine Length	1219 mm (48 in.)	1524 mm (60 in.)
N	Load Position, 50% Tine Length	610 mm (24 in.)	760 mm (30 in.)
Specifications With Hook/Euro Quick-Coupler and Fork			
<i>As measured with fork level, centered on tine</i>			
	Tipping Load, Straight	2330 kg (5,137 lb.)	3050 kg (6,724 lb.)
	Tipping Load, Full Turn, SAE	2060 kg (4,542 lb.)	2700 kg (5,952 lb.)
	Rated Operating Load, 50% Full-Turn Tipping Load (conforms to SAE J1197 / ISO 14397-1)*	1030 kg (2,271 lb.) [†]	1350 kg (2,976 lb.) [†]
	Rated Operating Load, Rough Terrain, 60% Full-Turn Tipping Load (conforms to EN474-3)*	1235 kg (2,723 lb.) [†]	1620 kg (3,571 lb.) [†]
	Rated Operating Load, Firm and Level Ground, 80% Full-Turn Tipping Load (conforms to EN474-3)*	1630 kg (3,594 lb.) [†]	2160 kg (4,762 lb.) [†]

*Rated operating capacity based on Deere attachments only. / [†]Payload on forks is limited by tilt cylinder.

204 G-TIER LOADER WITH CAB, QUIK-TATCH COUPLER OR HOOK/EURO QUICK-COUPLER, AND FORK



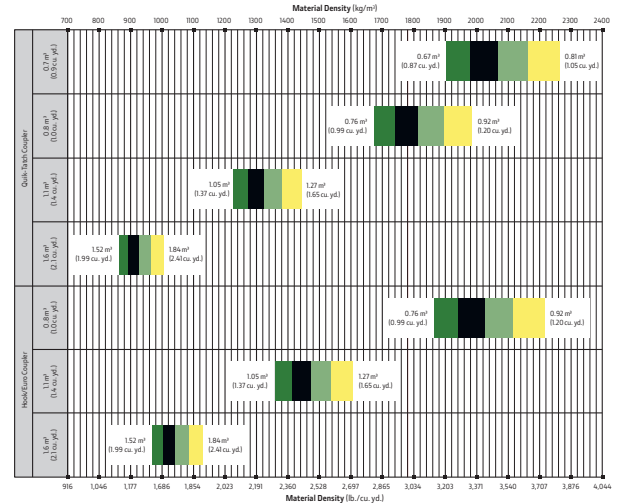
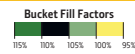
204 G-TIER LOADER WITH CANOPY, QUIK-TATCH COUPLER OR HOOK/EURO QUICK-COUPLER, AND FORK



While general information, pictures, and descriptions are provided, some illustrations and text may include product options and accessories NOT AVAILABLE in all regions, and in some countries products and accessories may require modifications or additions to ensure compliance with the local regulations of those countries.

Bucket Selection Guide*

LOOSE MATERIALS		kg/m ³	lb./cu. yd.	LOOSE MATERIALS		kg/m ³	lb./cu. yd.
Chips, pulpwood	288	486	Limestone, coarse, sized	1570	2,646		
Cinders (coal, ashes, clinkers)	673	1,134	Limestone, mixed sizes	1682	2,836		
Clay and gravel, dry	1620	2,700	Limestone, pulverized or crushed	1362	2,295		
Clay, compact, solid	1746	2,943	Sand, damp	2083	3,510		
Clay, dry in lump loose	1009	1,701	Sand, dry	1762	2,970		
Clay, moistened in water	1382	2,360	Sand, voids, full of water	2083	3,510		
Coal, anthracite, broken, loose	865	1,458	Sandstone, quarried	1314	2,214		
Coal, bituminous, moderately wet	801	1,350	Shale broken crushed	1362	2,295		
Earth, common loam, dry	1218	2,052	Slag furnace granulated	1955	3,294		
Earth, mud packed	1843	3,105	Stone or gravel, 37.5 to 87.5 mm	1442	2,430		
Granite, broken	1538	2,592	11.5 to 3.5 in. size	1602	2,700		
Gypsum	2275	3,834	Stone or gravel, 87.5 mm (0.75 in.) size				



Additional equipment

Key: ● Standard ▲ Optional or special
See your John Deere dealer for further information.

204 G Engine

- Antifreeze, -37 deg. C (-34 deg. F)
- Coolant recovery tank
- Fan safety guard
- Fan, sucker type, direct drive
- Under-hood aftertreatment (including diesel oxidation catalyst and diesel particulate filter)
- Environmentally friendly engine oil drain
- Engine oil cooler
- Quick-release fuel filter and water separator
- Automatic engine glow plugs for cold start
- ▲ Engine coolant heater, 1,000 watts, 110 volts

Electrical

- Starter switch with electric fuel cutoff
- 12-volt system
- Electrical load center: Blade-type fuses
- Standard battery (1), 12 volt with 830 CCA
- Master electrical disconnect switch
- Alternator, 12 volts, 80 amps
- Horn (conforms to SAE J994 / J1446)
- Lights (conform to SAE 99): Driving / Turn signals / Flashers / Stop / Taillights
- Worklights, front (2)
- Worklights, rear (2)
- Reverse warning alarm (conforms to SAE J994 / J1446)
- Multifunction monitor with audible and visual warnings: Engine coolant temperature and hydraulic oil temperature / Gauge: Fuel / Visual indicators: Air-filter restriction, low voltage, coolant temperature, engine oil pressure, engine preheat, engine rpm, hydraulic bucket return-to-dig control, hydraulic oil temperature, lights high beam, park brake, turn signals, fuel-level gauge, and hour meter

204 G Electrical (continued)

- Indicator lights: Engine air filter / Battery voltage / Parking brake actuated / Forward/reverse travel / 1st- or 2nd-speed range / Turn signal and hazard lights / High-beam driving lights
- Radio-ready cab, fused 12-volt radio electrical lead and speakers, power port
- Pre-wired for roof beacon

Powertrain/Brakes

- Hydrostatic (HST) transmission: Electric shift control / Single-lever joystick F-N-R / Hydrostatic oil cooler / Inching pedal / 2 speeds forward and reverse / Infinitely variable speed control
- Parking brake, spring applied, hydraulically released, switch operated
- 45% limited-slip front and rear differentials

Hydraulic System

- Hydraulic system oil cooler
- Float detent
- Reservoir sight gauge
- Fine-micron hydraulic filters, vertical mounting
- Hydraulic function lockout
- 3-function hydraulic valve with electro-hydraulic push-button 3rd-function control
- Quick-coupler diagnostic ports: Priority pressure / Hydraulic pump pressure / Control valve pressure / HST pressure

Operator's Station

- ▲ Cab (conforms to SAE J1040, SAE J231, ISO 3471, and ISO 3449): Air conditioner/heater/defroster / Tilt steering / Inside mirror
- Canopy
- Storage compartment for operator's manual and other items
- Rubber floor mat
- Rearview mirrors, outside (2)

204 G Operator's Station (continued)

- Handholds and steps, ergonomically located and slip resistant (conform to SAE J185)
- ## Loader Linkage
- Z-bar loader linkage provides high bucket breakout
 - Loader boom service locking bar (conforms to SAE J38)
- ## Buckets and Attachments
- ▲ Full line of buckets with selection of bolt-on cutting edges
 - ▲ Electrically actuated quick-coupler with flags
 - ▲ Full line of construction utility forks, pallet forks, and other attachments*
 - ▲ ISO parallel-pin hydraulically actuated coupler
- ## Tires
- 365/70R18 Mitas EM-01
 - ▲ 400/70R20 Michelin XMCL
 - ▲ 405/70R18 Firestone Duraforce
 - ▲ 400/70R20 Nokian Hakkapeliitta Tri
- ## Other
- Fenders, front and rear
 - Articulation locking bar (conforms to SAE J276)
 - Vandal protection, includes lockable engine enclosure
 - Counterweight, saddle-type, built-in
 - Rear bottom guard, built-in
 - Drawbar, with locking pin
 - Lift eyes
 - Tie-downs
 - ▲ Fire extinguisher
 - ▲ Material-weighing system†
 - ▲ Ride control
 - ▲ Creep control
 - ▲ JDLink™ wireless communication system (available in specific countries; see your dealer for details)

*See your John Deere dealer for further information.

†Contact LOAD-RITE™.

While general information, pictures, and descriptions are provided, some illustrations and text may include product options and accessories NOT AVAILABLE in all regions, and in some countries products and accessories may require modifications or additions to ensure compliance with the local regulations of those countries.

Net engine power is with standard equipment including air cleaner, exhaust system, alternator, and cooling fan, at test conditions specified per ISO 9249. No derating is required up to 3000-m (10,000 ft.) altitude. Specifications and design subject to change without notice. Wherever applicable, specifications are in accordance with SAE standards. Except where otherwise noted, these specifications are based on units with all standard equipment, ROPS cab, standard rear counterweight, 365/70R18 tires, full fuel tank, and 79-kg (175 lb.) operator.



MW204GAU (22-20)



JOHN DEERE