

REPLACEMENT PARTS GUIDE

410R / 412R Self-Propelled Sprayer

ENGINE

DIESEL EXHAUST FLUID (DEF) DOSING UNIT FILTER

[DZ114640](#)

Replace after every 3500 hours or every three years of operation, whichever occurs first, and as required.

AIR FILTER ELEMENTS

PRIMARY

[AKK37892](#)

SECONDARY

[AKK37893](#)

Replace as required.

DIESEL PARTICULATE FILTER (DPF)

[DZ115233](#)

Replace as required.

OPEN CRANKCASE VENTILATION (OCV) FILTER

[DZ117828](#)

Replace after every 1500 hours.

OIL FILTER

[RE509672](#) (STAGE III & FT4)

Replace after every 250 hours.

PRIMARY FUEL FILTER

[RE539465](#)

FINAL FUEL FILTER

[DZ112918](#) (FT4)

[DZ112919](#)

Replace after every 500 hours. (Always replace both filters at the same time).

SUSPENSION

AIR DRYER FILTER

[AKK11031](#)

Replace annually or 1000 hours.

ENGINE

SECONDARY FUEL FILTER

[DZ112919](#)

Replace after every 500 hours. (Always replace both filters at the same time).

CAB

RECIRCULATION AIR FILTER

[RE595871](#)

Replace every 500 hours or annually, whichever occurs first, and as required.

AIR FILTER

[KK57033](#) (CAT 4)

[RE333567](#) (IF EQUIPPED)

Replace every 500 hours or annually, whichever occurs first, and as required.

FRESH AIR FILTER

[RE333567](#)

Replace every 500 hours or annually, whichever occurs first, and as required.

HYDRAULICS

HYDRAULIC FILTER W/ HEAD

[AKK38329](#)

HYDRAULIC FILTER

[KK77228](#)

HYDRAULIC REPAIR KIT

[AKK41660](#)

Replace Every 1000 Hours.

OIL FILTER

[AT318160](#)

Replace Every 1000 Hours.

HYDROSTATIC FILTERS

[AKK23814](#)

Replace Every 1000 Hours.

ENGINE

FUEL TANK VENT FILTER

[H216169](#)

Clean as required.

DIESEL EXHAUST FLUID (DEF) VENT FILTER

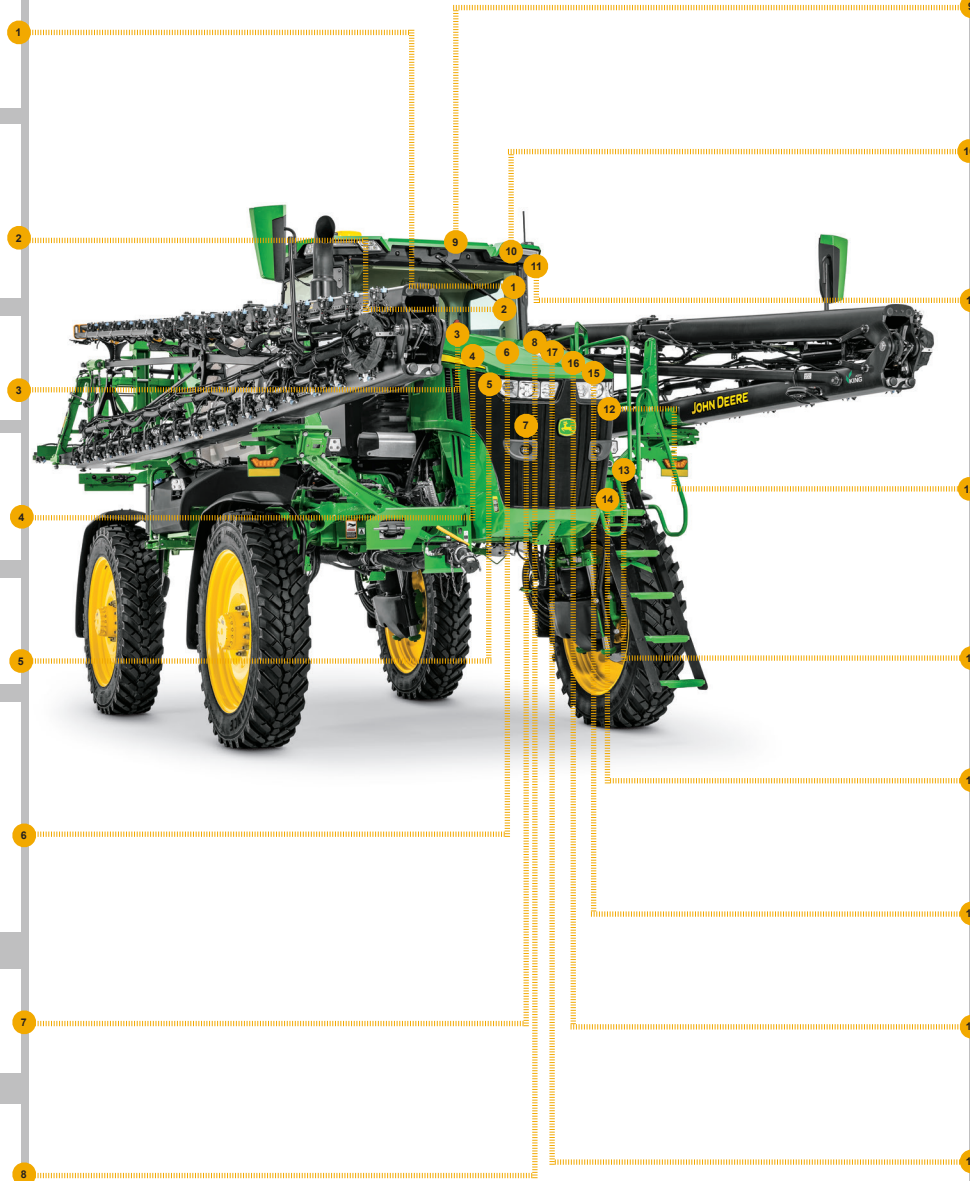
[H216169](#)

Clean as required.

DIESEL EXHAUST FLUID IN-LINE FILTER KIT

[DZ112919](#)

Replace Every 8500 Hours.



REPLACEMENT PARTS GUIDE

410R / 412R Self-Propelled Sprayer, See & Spray™ Ultimate

ENGINE



DIESEL EXHAUST FLUID (DEF) DOSING UNIT FILTER

[DZ114640](#)

Replace after every 3500 hours or every three years of operation, whichever occurs first, and as required.



PRIMARY AIR FILTER

[AKK37892](#)

SECONDARY AIR FILTER

[AKK37893](#)

Replace as required.



DIESEL PARTICULATE FILTER (DPF)

[DZ115233](#)

Replace as required.



OPEN CRANKCASE VENTILATION (OCV) FILTER

[DZ117828](#)

Replace after every 1500 hours.



OIL FILTER

[RE509672](#) (STAGE III & FT4)

Replace after every 250 hours.



PRIMARY FUEL FILTER

[RE539465](#)



FINAL/ SECONDARY FUEL FILTER

[DZ112918](#) (FT4)

[DZ112919](#)

Replace after every 500 hours. (Always replace both filters at the same time).

SUSPENSION



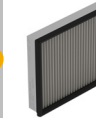
AIR DRYER FILTER

[AKK11031](#)

Replace annually or 1000 hours.



CAB



RECIRCULATION AIR FILTER

Replace every 500 hours or annually, whichever occurs first, and as required.



FRESH AIR FILTER

Replace every 500 hours or annually, whichever occurs first, and as required.

HYDRAULICS



HYDRAULIC FILTER W/ HEAD

[AKK41840](#)
HYDRAULIC FILTER
[AKK41998](#)
HYDRAULIC REPAIR KIT
[AKK41660](#)

Replace Every 1000 Hours.



OIL FILTER

Replace Every 1000 Hours.



HYDROSTATIC FILTERS

Replace Every 1000 Hours.

ENGINE



FUEL TANK VENT FILTER

[H216169](#)

Clean as required.



DIESEL EXHAUST FLUID (DEF) VENT FILTER

[H216169](#)

Clean as required.



DIESEL EXHAUST FLUID IN-LINE FILTER KIT

[DZ124403](#)

Replace Every 8500 Hours.



SECONDARY FUEL FILTER

[DZ112919](#)

Replace after every 500 hours. (Always replace both filters at the same time).

CAPACITIES

410R / 412R Self-Propelled Sprayer

CAPACITIES (Approximate):

Fuel Tank:

..... 566 L (149 gal)

Diesel Exhaust Fluid (DEF) Tank: John Deere™ Diesel Exhaust Fluid

..... 29.5 L (7.8 gal)

Engine Oil:

John Deere™ Plus-50™ II
John Deere Break-In Plus™

..... 29.5 L (7.8 gal)

Cooling System with Heater: Cool-Gard™ II

..... 31.4 L (8.3 gal)

Crankcase including Filter: Plus-50™ II

..... 31 L (8.2 gal)

Hydraulic Reservoir:

John Deere - Torq-Gard™ 10W-30
Plus-50™ II 10W-30

..... 95.6 L (25.3 gal)

Hydraulic System:

John Deere - Torq-Gard™ 10W-30
Plus-50™ II 10W-30

..... 208 L (55 gal)

Final Drives (Each):

GL5 85W140 Gear Lube

..... 1.5 L (0.39 gal)

John Deere™ Winterizer container (N305634)

..... 9.4 L (2.5 gal)

REPLACEMENT PARTS GUIDE

408R Self-Propelled Sprayer



- BOOM PIVOT PINS**
[N404492](#) (RELUBRICATION)
[KK10859](#) (NON - RELUBRICATION)
[KK10860](#) (NON - RELUBRICATION)

- ASPIRATOR FITTING**
[KK39953](#)

- VITON DIAPHRAGM**
[PM036V10](#)

- SIGHT LEVEL GAUGE**
[AKK50809](#)
 *Located on LH side of machine near fuel tank.

- BOOM SOLUTION STRAINERS**
[PMLST1580](#) (80 MESH)
[PMLST1550](#) (50 MESH)
[PMLST1530](#) (30 MESH)

- PRESSURE STRAINER**
[AN302178](#) (80 MESH)

- FORCEFIELD PUMP SEAL KIT**
[AKK44948](#)

- TREAD ADJUST**
[AKK17213](#) (SENSOR)
[KK15187](#) (SENSOR BRACKET) (S/N (- 221367))
[KK95821](#) (SENSOR BRACKET) (S/N (212382-))

- FLOWMETER**
[AN305055](#)

- GENERAL SPRAYER CONTENT**
- [WARRANTY VS WEAR GUIDE](#)
- [NOZZLES](#)
- [HOSE GUIDE](#)
- [BANJO GUIDE](#)

