

# REPLACEMENT PARTS GUIDE

## X570 Lawn and Garden Tractor

### ENGINE



#### OIL FILTER

[AM125424](#)

Change Every 100 hrs / Annually.



#### ENGINE OIL

[TY22029](#) (Turf-Gard™ 10W-30)  
(2.1 L (2.2 qt))

Change Every 100 hrs / Annually.



#### AIR FILTER

[MIU12554](#) (PRIMARY, FOAM)  
[MIU12555](#) (SECONDARY, PAPER)

Change Every 100 hrs / Annually.



**JOHN DEERE MULTI-PURPOSE HD LITHIUM COMPLEX GREASE**  
[TY24416](#)

#### GREASE GUN

[TY26518](#)  
Change As Required.



#### FUEL FILTER

[AM116304](#)

Change Every 100 hrs / Annually.



#### SPARK PLUG

[M805853](#)

Change Every 100 hrs / Annually.



#### TRANSAXLE FILTER

[M808763](#)

Change Every 200 hrs.



#### TRACTION BELT

[M174585](#) (LGTH = 2467.6 mm, TK = 14.7 mm,  
WIDTH = 16 mm)



#### TRANSAXLE OIL

[TY22035](#) (LOW VISCOSITY HY-GARD™)  
(5.3 L (5.6 qt.))

Change Every 200 hrs.



#### HOME MAINTENANCE KIT

[LG265](#)



### ELECTRICAL



**KEY**  
[GY20680](#)



**HEAD LIGHT BULB**  
[AD2062R](#) (27 W)



**IGNITION SWITCH**  
[AM133597](#)



**BATTERY**  
[TY25876B](#) (12 V) (FOR CANADA AND USA)  
[MCYP25876](#) (12 V) (NOT FOR CANADA AND USA)

### FUEL & AIR



**FILLER CAP**  
[AM141406](#)



**MUFFLER**  
[AM141137](#)

# REPLACEMENT PARTS GUIDE

## X570 with 48 inch Accel Deep Deck

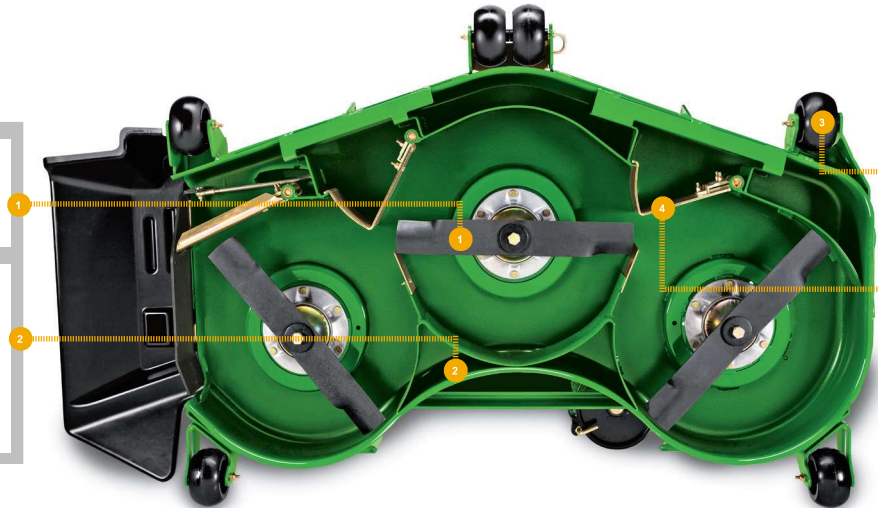
### MOWER BLADE

[UC22009](#)

### V BELT

[M169485](#) (LGTH = 1900 mm, TK = 11 mm,  
WIDTH = 16.6 mm) (PRIMARY)

[M169500](#) (LGTH = 2629 mm, TK = 11 mm,  
WIDTH = 16.6 mm) (SECONDARY)



### GAGE WHEELS

[M111489](#)

### MULCH BLADE

[M127673](#)

[UC25185](#) (RETROFIT)

### MOWER DECK LEVELING GAUGE

[AM130907](#)

# REPLACEMENT PARTS GUIDE

## X570 with 54 inch Accel Deep Deck

### MOWER BLADE

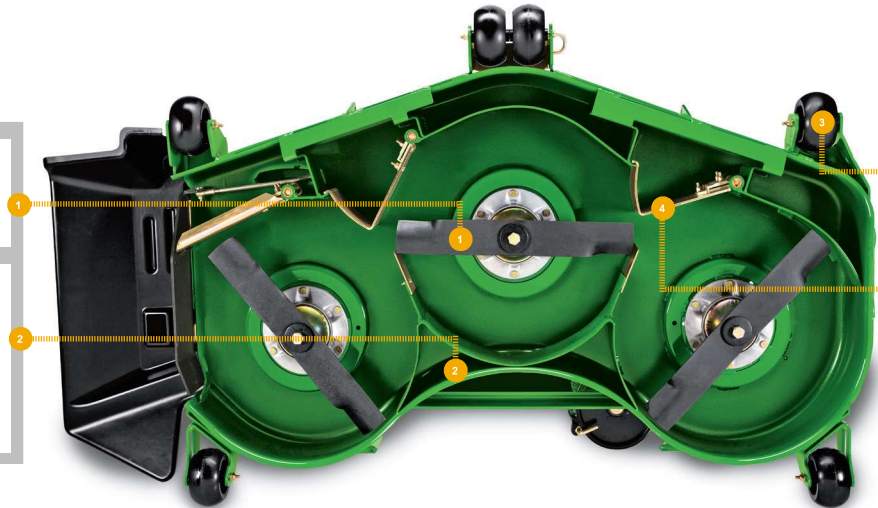
[UC22010](#) (STANDARD)

[M152726](#) (HIGH LIFT)

### V BELT

[M169485](#) (LGTH = 1900 mm, TK = 11 mm,  
WIDTH = 16.6 mm) (PRIMARY)

[M169486](#) (LGTH = 2810 mm, TK = 11 mm,  
WIDTH = 16.6 mm) (SECONDARY)



### GAGE WHEEL

[M111489](#)

### MULCH BLADE

[M177791](#)

### MOWER DECK LEVELING GAUGE

[AM130907](#)