

Z960A ZTrak™ Pro Series Mower



Commercial ZTR Mowers

Z960A ZTrak™ Pro Series Mower

Key	Part No.	Description	Key	Part No.	Description
1	AM107423	... ENGINE OIL FILTER	12	AUC12593	... STARTER
2	AUC13456	... AIR FILTER - PRIMARY	13	AM123716	... RELAY
3	AUC13455	... AIR FILTER - SECONDARY	14	AM117324	... SWITCH - HEADLIGHT (OPTIONAL)
4	AM116304	... FUEL FILTER	15	R136239	... HEADLIGHT BULB (OPTIONAL)
5	MIA881446	... TRANSMISSION FILTER KIT	16	AM125447	... HEADLIGHT (OPTIONAL)
6	M805853	... SPARK PLUG	17	TCA16216	... FILLER CAP
7	TCU25673	... V-BELT - TRACTION DRIVE (S/N —020000)	18	TCA21020	... MUFFLER
	TCU28433	... V-BELT - TRACTION DRIVE (S/N 020001—)	19	TCA19309	... CASTER WHEEL
8	TY25221B	... WET CHARGED BATTERY	20	TCU13631	... TIRE REAR (24 X 12 - 12) - 60 in OR 72 in
9	TCA22740	... IGNITION SWITCH	21	TCA23663	... SEAT ASSEMBLY
10	AUC12681	... IGNITION KEY	22	TCA15398	... BRAKE SWITCH
11	AUC15008	... PTO SWITCH	23	TCA20380	... PTO CLUTCH

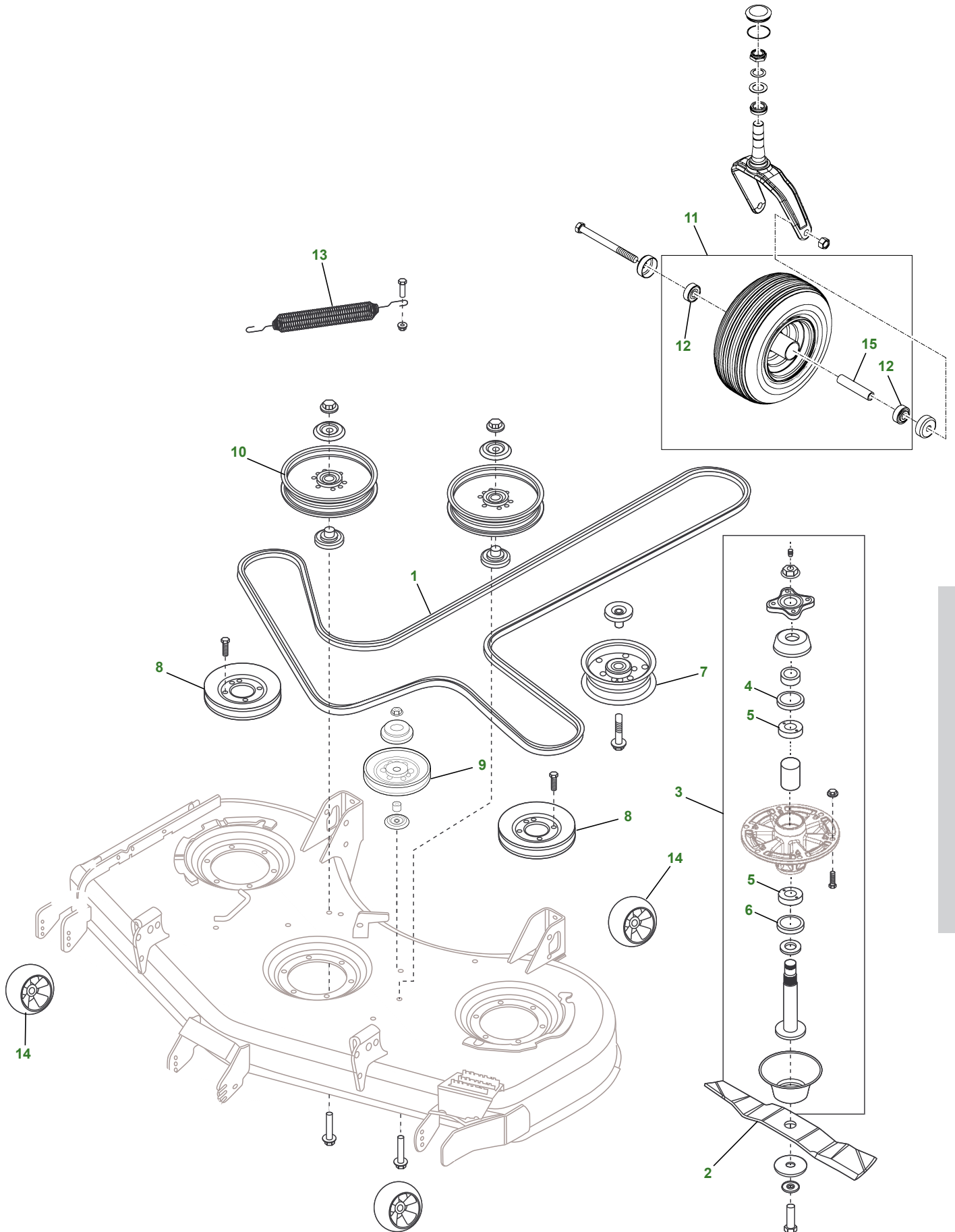
Parts Needed in First 500 Hours of Operation

Qty	Part No.	Item	Capacity	Interval In Hours
6	AM107423	Engine Oil Filter		8/100/200/300/400/500
18	TY22029	Turf-Gard™ 10W-30 Engine Oil	1.7-2.1 L (1.8-2.2 qt)	8/100/200/300/400/500
1	AM116304	Fuel Filter		500
1	MIA881446	Transmission Filter	1	300
5	TY6354	Hy-Gard™ Transmission Oil	4.25 L (4.5 qt)	300
1	TY6341	John Deere Multi-Purpose SD Polyurea Grease		As Needed

Frequently Used Items

Qty	Part No.	Item
1	AUC13456	Air Filter - Primary
1	AUC13455	Air Filter - Secondary
1	AM116304	Fuel Filter
2	M805853	Spark Plug
1	TCU25673 TCU28433	Belt - Traction Drive - (S/N - 020000) Belt - Traction Drive - (S/N 020001-)
1	TCA16216	Filler Cap
1	AUC12681	Ignition Key
1	AM130907	Mower Deck Leveling Gauge
1	TY26518	Grease Gun

48 in. / 54 in. / 60 in. / 72 in. decks (Z900 Series)



Commercial ZTR Mowers

48 in . / 54 in . / 60 in . / 72 in . decks (Z900 Series)

Key	Part No	Description	Key	Part No	Description
1	TCU26294 BELT - 48 in.	7	TCA20602 IDLER
	TCU26295 BELT - 54 in.		TCU29427 SPACER
	TCU26297 BELT - 60 in.	8	TCU26965 SHEAVE ASSEMBLY - 48 in.
	TCU26298 BELT - 72 in.		TCU26966 SHEAVE ASSEMBLY - 54 in.
2	TCU30315 BLADE - 48 in		TCU26967 SHEAVE ASSEMBLY - 60 in.
	TCU21475 BLADE - MOD - 48 in.		TCU26968 SHEAVE ASSEMBLY - 72 in.
	TCU30316 BLADE - 54 in.	9	AUC16478 IDLER
	TCU15881 BLADE - HIGH LIFT - 60 in.		24M7047 WASHER
	M133381 BLADE - LOW LIFT - 60 in.	10	AUC11584 IDLER
	M168223 BLADE - MULCH - 60 in.	11	TCA19309 CASTER WHEEL TIRE & WHEEL ASSEMBLY
	TCU15882 BLADE -HIGH LIFT - 72 in.	12	AA21480 BALL BEARING
	M142514 BLADE - MULCH - 72 in.	13	TCU22526 EXTENSION SPRING - 48 in.
3	TCA24880 SPINDLE KIT		TCU27010 EXTENSION SPRING - 54 in.
4	M85699 SEAL		TCU24629 EXTENSION SPRING - 60 in.
5	M88251 BEARING		TCU27011 EXTENSION SPRING - 72 in.
6	M127198 SEAL	14	TCU18744 GAGE WHEEL
			15	TCU22374 SPACER