

310 G

Backhoe Loader



JOHN DEERE



310 G-TIER BACKHOE LOADER



RUN ONE TO GET IT DONE

Why run two machines when one will do? Whether you're loading trucks, busting up blacktop, placing pipe, digging trenches, or moving materials, the John Deere 310 G-Tier Backhoe Loader is more than up to your toughest tasks. Designed with real-world customer input to provide the outstanding loader performance, backhoe trenching capability, and multifunction versatility you need with none of the extras you don't, this machine can help you get more done, get on to the next job, and look ahead to the big things in store for your operation.



FEATURES

Do the math

An efficient alternative to similar backhoe loaders in its class, the 310 G-Tier fits your budget and is rental friendly. With a more basic operator station than the previous model, this backhoe loader features a four-speed synchromesh manual transmission designed to maximize machine value.

Dependable engine technology

You can trust the reliability, performance, and fuel efficiency of the proven Yanmar 3.3L engine. This EPA Interim Tier 4 (IT4)-equivalent diesel complies with Final Tier 4 (FT4) emissions regulations without the need for aftertreatment components, minimizing machine complexity and the number of parts needed to maintain your fleet.

Open-center hydraulics

Field-proven open-center control valve and pump combination delivers high contamination resistance, exceptional swing control and multifunction performance, steady pressure/force control, and reliable operator “feel” compared to other hydraulic systems.

Control at your fingertips

Transmission gear-selection lever is within easy reach and includes a convenient clutch disconnect on the grip. Simple, easy-to-use forward/neutral/reverse (F-N-R) lever is mounted on the left-hand steering column for directional changes.

Balance of power

Variable-displacement hydraulic pump delivers flow throughout the entire speed range, even at lower engine loads. Power-management system modulates flow to balance the split between the hydraulics and the transmission to optimize performance with available engine power.

FIND YOUR FIT



LEADING EDGE

Premium edge with innovative technology



EXCEPTIONAL PERFORMANCE

Advanced features and performance



RUGGED AND RELIABLE

Proven capabilities and value



RELIABLE



SIMPLE TO SERVICE

On the front lines

Front-axle design is field proven and ruggedly simple. Mechanical-front-wheel drive (MFWD) includes axle breathers that automatically regulate air pressure within the sealed, oil-bath structure.

Comfort in the cab

Simplified operator station includes creature comforts like an efficient HVAC system, choice of adjustable mechanical or air-suspension seat, and optional premium radio with Bluetooth® and auxiliary input.

Take it easy

Enhanced “palm-on-top” loader-control grip is intuitive and easy to use. Redesigned loader-lever linkage reduces resistance and improves its throw and feel, decreasing lever travel by up to 15 percent.

Enjoy the ride

Optional ride control reduces tire flexing over rough terrain with a loaded bucket, reducing material spillage and improving machine ride to boost operator comfort and efficiency.

Save fuel with economy mode

Standard economy mode can be configured separately between loader and backhoe functions. Activate economy mode for backhoe functions while retaining full power for loader functions. This helps maximize fuel usage in lighter-work applications with minimal effect on machine performance.



310 G-TIER BACKHOE LOADER



Precision Construction

From grade management and obstacle detection to product automation features and jobsite intelligence, this suite of construction technology delivers productivity solutions to help you get more done, more efficiently.

John Deere construction equipment comes with in-base connectivity — free from subscriptions or annual renewals. Analyze critical machine data, track utilization, review diagnostic alerts, and more from **the John Deere Operations Center™**. The Operations Center also enables **John Deere Connected Support™**, which uses data from thousands of connected machines to proactively address issues before they arise. Your dealer can also remotely monitor machine health, diagnose problems, and even update machine software without a trip to the jobsite.*

*Availability varies by region and product. Options not available in every country.



310 G-TIER BACKHOE LOADER SPECIFICATIONS

While general information, pictures, and descriptions are provided, some illustrations and text may include product options and accessories NOT AVAILABLE in all regions, and in some countries products and accessories may require modifications or additions to ensure compliance with the local regulations of those countries.

Engine		310 G-TIER	
Manufacturer and Model	Yanmar 4TNV98CT turbocharged		
Non-Road Emission Standard	EPA Interim Tier 4 (IT4) equivalent, EPA Final Tier 4 (FT4) compliant		
Displacement	3.3 L (203 cu. in.)		
Gross Peak Power	53 kW (72 hp) at 2,100 rpm		
Net Peak Power (ISO 9249)	52 kW (69 hp) at 2,100 rpm		
Net Peak Torque (ISO 9249)	272 Nm (200 lb.-ft.) at 1,800 rpm		
Net Torque Rise	29%		
Lubrication	Pressure system with spin-on filter and cooler		
Air Cleaner	Dual-stage dry type with safety element and evacuator valve		
Cooling			
Fan Type	Viscous variable-rate (temperature-controlled) cooling fan standard		
Engine Coolant Rating	-40 deg. C (-40 deg. F)		
Engine Oil Cooler	Oil to water		
Powertrain			
Transmission	4-speed manual-range gear-selection transmission with synchronizers; electric clutch cutoff on loader lever and manual-range gear-selection lever		
Torque Converter	Single stage, dual phase with 3.01:1 stall ratio, 300 mm (11.8 in.)		
Synchro-Shuttle Standard Transmission			
Maximum Travel Speeds With Standard Engine,			
With 19.5L-24 Rear Tires			
	<i>Forward</i>	<i>Reverse</i>	
Gear 1	5.7 km/h (3.5 mph)	5.7 km/h (3.5 mph)	
Gear 2	9.3 km/h (5.8 mph)	9.3 km/h (5.8 mph)	
Gear 3	20.4 km/h (12.7 mph)	20.4 km/h (12.7 mph)	
Gear 4	38.0 km/h (23.6 mph)	38.0 km/h (23.6 mph)	
Axles			
Axle Oscillation, Stop to Stop, Front Axle	22 deg.		
Axle Ratings	<i>Front</i>	<i>Rear</i>	
SAE J43	5000 kg (11,000 lb.)	6000 kg (13,200 lb.)	
Dynamic	7500 kg (16,500 lb.)	8000 kg (17,600 lb.)	
Static	23 500 kg (51,800 lb.)	23 500 kg (51,800 lb.)	
Ultimate	39 500 kg (87,100 lb.)	39 500 kg (87,100 lb.)	
Differentials			
Mechanical-Front-Wheel-Drive (MFWD) Axle	Open		
Rear Axle	Foot actuated, hydraulically engaged 100% mechanical lock		
Steering (ISO 5010)	Hydrostatic power steering and emergency steering		
Axle	<i>MFWD</i>	<i>Non-Powered Front</i>	
Curb-Turning Radius			
With Brakes	3.38 m (11 ft. 1 in.)	3.39 m (11 ft. 1 in.)	
Without Brakes	3.79 m (12 ft. 5 in.)	3.80 m (12 ft. 6 in.)	
Bucket-Clearance Circle			
With Brakes	9.72 m (31 ft. 11 in.)	9.73 m (31 ft. 11 in.)	
Without Brakes	10.32 m (33 ft. 10 in.)	10.34 m (33 ft. 11 in.)	
Steering Wheel Turns (lock to lock)	2.7	3.2	
MFWD and Rear Axle	Heavy duty, outboard planetary final drives distribute shock loads over 3 gears		
Brakes (ISO 3450)			
Service	Power assisted, hydraulic wet disc, mounted inboard, self-adjusting and self-equalizing		
Parking	Spring applied, hydraulically released, wet, multi-disc, independent of service brakes with electric switch control		
Hydraulics			
Main Pump	Open-center system; axial-piston pump		
Pump Flow at 2,200 rpm			
Backhoe	124 L/m (32.8 gpm)		
Loader	114 L/m (30.1 gpm)		
System Relief Pressure			
Backhoe	24 993 kPa (3,625 psi)		
Loader	22 063 kPa (3,200 psi)		

310 G-TIER BACKHOE LOADER SPECIFICATIONS

310

G

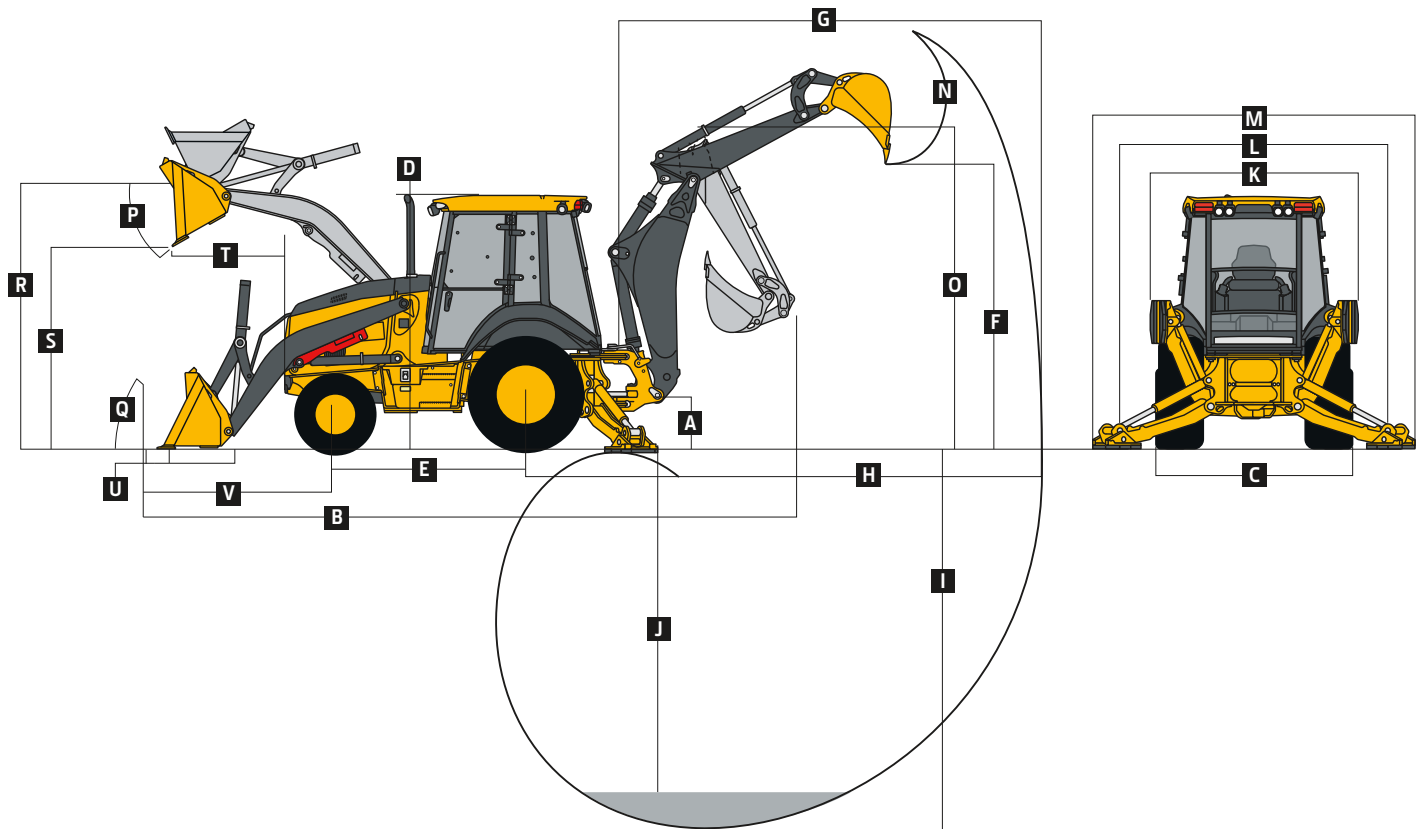
While general information, pictures, and descriptions are provided, some illustrations and text may include product options and accessories NOT AVAILABLE in all regions, and in some countries products and accessories may require modifications or additions to ensure compliance with the local regulations of those countries.

Hydraulics <i>(continued)</i>		310 G-TIER	
Controls			
Backhoe	2-lever mechanical standard; pilot controls with pattern select and manual and/or electric auxiliary functions optional		
Loader	Single-lever control with electric clutch cutoff switch standard; single-lever control with electric clutch cutoff switch, electrohydraulic (EH) proportional auxiliary roller, MFWD (momentary), and transmission quick-shift optional		
Cylinders			
Heat-treated, chrome-plated, polished rods; hardened steel (replaceable bushings) pivot pins			
	<i>Bore</i>	<i>Rod Diameter</i>	<i>Stroke</i>
Loader Boom (2)	80 mm (3.15 in.)	50 mm (1.97 in.)	790 mm (31.10 in.)
Loader Bucket (1)	90 mm (3.54 in.)	50 mm (1.97 in.)	744 mm (29.29 in.)
Backhoe Boom (1)	110 mm (4.33 in.)	56 mm (2.20 in.)	821 mm (32.32 in.)
Backhoe Crowd (1)	110 mm (4.33 in.)	63 mm (2.48 in.)	553 mm (21.77 in.)
Backhoe Bucket (1)	80 mm (3.15 in.)	50 mm (1.97 in.)	892 mm (35.12 in.)
Backhoe Swing (2)	80 mm (3.15 in.)	45 mm (1.77 in.)	310 mm (12.20 in.)
Backhoe Extendable Dipperstick (1)	63 mm (2.48 in.)	32 mm (1.26 in.)	1062 mm (41.81 in.)
Backhoe Stabilizer, Standard (2)	80 mm (3.15 in.)	50 mm (1.97 in.)	500 mm (19.69 in.)
Non-Powered Axle (1)	57 mm (2.24 in.)	35 mm (1.38 in.)	221 mm (8.69 in.)
MFWD (1)	63 mm (2.48 in.)	38 mm (1.50 in.)	237 mm (9.33 in.)
Electrical			
Voltage	12 volt		
Alternator Rating	130 amp		
Lights	4 halogen: 2 front and 2 rear (32,500 candlepower each); turn signals and flashers: 2 front and 2 rear; stop- and tail-lights and 2 rear reflectors; factory-installed option for 2 LED spotlights and 2 LED floodlights in lieu of the standard halogen light package		
Operator Station			
Type (ISO 3471)	Canopy, isolation mounted, ROPS/FOPS, left/right access, with molded roof; optional fully enclosed cab		
Tires/Wheels			
	<i>Front</i>	<i>Rear</i>	
Non-Powered Front Axle	14.5/75-16.1 F3 (16)	19.5L-24 R4 (12)	
With MFWD	12-16.5 NHS (12)	19.5L-24 R4 (12)	
Serviceability			
Refill Capacities			
Cooling System			
Cab	19.5 L (20.6 qt.)		
Canopy	17.9 L (18.9 qt.)		
Rear Axle			
Differential Housing	14.5 L (15.3 qt.)		
Planetary (each)	1.5 L (1.6 qt.)		
Engine Oil (including vertical spin-on filter)	10.5 L (11.1 qt.)		
Torque Converter and Transmission	18.0 L (19.0 qt.)		
Fuel Tank (with ground-level fueling)	128.7 L (34.0 gal.)		
Hydraulic System	126.8 L (33.5 gal.)		
Hydraulic Reservoir	45.0 L (11.9 gal.)		
MFWD Housing			
Differential Housing	7.5 L (7.9 qt.)		
Planetary (each)	0.8 L (0.8 qt.)		
Operating Weights			
With Full Fuel Tank, 75-kg (165 lb.) Operator, Standard Equipment, Canopy, and Bumper	6308 kg (13,907 lb.)		Optional Components (weight difference between base equipment and option) <i>(continued)</i>
Typical With Cab, Extendable Dipperstick, and 204-kg (450 lb.) Counterweight	6968 kg (15,362 lb.)		
Optional Components (weight difference between base equipment and option)			
Cab	259 kg (571 lb.)		MFWD With Tires 115 kg (254 lb.)
			Extendable Dipperstick 197 kg (434 lb.)
			Front Loader Coupler 146 kg (322 lb.)
			Backhoe Bucket Coupler 75 kg (165 lb.)

310 G-TIER

While general information, pictures, and descriptions are provided, some illustrations and text may include product options and accessories NOT AVAILABLE in all regions, and in some countries products and accessories may require modifications or additions to ensure compliance with the local regulations of those countries.

Overall Dimensions		310 G-TIER
A	Ground Clearance, Minimum	318 mm (13 in.)
B	Overall Length, Transport	7.24 m (23 ft. 9 in.)
C	Width Over Tires	2.20 m (7 ft. 3 in.)
D	Height to Top of ROPS/Cab	2.81 m (9 ft. 3 in.)
E	Length From Axle to Axle	
	Non-Powered Front Axle	2.16 m (7 ft. 1 in.)
	MFWD Axle	2.19 m (7 ft. 2 in.)



Backhoe Dimensions and Performance

Backhoe specifications are with 610-mm x 0.18-m³ (24 in. x 6.5 cu. ft.) bucket; dipper lift specs are with a boom angle of 65 deg.

Bucket Range	305–610 mm (12–24 in.)		
Digging Force			
Bucket Cylinder	48.2 kN (10,844 lb.)		
Crowd Cylinder	31.1 kN (6,992 lb.)		
Swing Arc	180 deg.		
Operator Control	2 levers		

	With Optional Extendable Dipperstick		
	With Standard Backhoe	Retracted	Extended
F Loading Height, Truck Loading Position	3.48 m (11 ft. 5 in.)	3.57 m (11 ft. 8 in.)	4.23 m (13 ft. 10 in.)
G Reach From Center of Swing Pivot	5.42 m (17 ft. 10 in.)	5.49 m (18 ft. 0 in.)	6.51 m (21 ft. 4 in.)
H Reach From Center of Rear Axle	6.49 m (21 ft. 3 in.)	6.55 m (21 ft. 6 in.)	7.57 m (24 ft. 10 in.)
I Digging Depth (SAE maximum)	4.16 m (13 ft. 8 in.)	4.23 m (13 ft. 11 in.)	5.29 m (17 ft. 4 in.)
J Digging Depth (SAE)			
610-mm (2 ft.) Flat Bottom	4.13 m (13 ft. 6 in.)	4.20 m (13 ft. 9 in.)	5.26 m (17 ft. 3 in.)
2440-mm (8 ft.) Flat Bottom	3.79 m (12 ft. 5 in.)	3.86 m (12 ft. 8 in.)	5.01 m (16 ft. 5 in.)
K Stabilizer Width, Transport	2.18 m (7 ft. 2 in.)	2.18 m (7 ft. 2 in.)	2.18 m (7 ft. 2 in.)
L Stabilizer Spread, Operating	3.10 m (10 ft. 2 in.)	3.10 m (10 ft. 2 in.)	3.10 m (10 ft. 2 in.)
M Stabilizer Overall Width, Operating	3.53 m (11 ft. 7 in.)	3.53 m (11 ft. 7 in.)	3.53 m (11 ft. 7 in.)
N Bucket Rotation	190 deg.	190 deg.	190 deg.
O Transport Height	3.49 m (11 ft. 5 in.)	3.49 m (11 ft. 5 in.)	3.49 m (11 ft. 5 in.)

Loader Dimensions and Performance

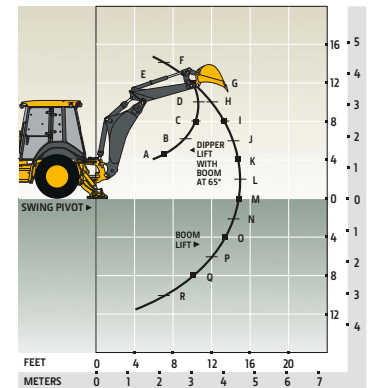
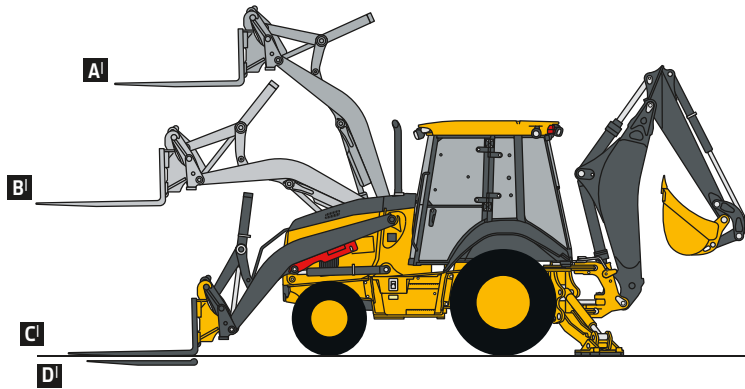
P	Bucket Dump Angle, Maximum	45 deg.
Q	Rollback Angle at Ground Level	40 deg.

While general information, pictures, and descriptions are provided, some illustrations and text may include product options and accessories NOT AVAILABLE in all regions, and in some countries products and accessories may require modifications or additions to ensure compliance with the local regulations of those countries.

310 G-TIER

Loader Dimensions and Performance (continued)		310 G-TIER		
	Heavy-duty	Heavy-duty	Heavy-duty long lip	Multipurpose
Bucket Capacity	0.77 m ³ (1.00 cu. yd.)	0.86 m ³ (1.12 cu. yd.)	0.96 m ³ (1.25 cu. yd.)	0.96 m ³ (1.25 cu. yd.)
Width	2184 mm (86 in.)	2184 mm (86 in.)	2184 mm (86 in.)	2184 mm (86 in.)
Weight	363 kg (800 lb.)	390 kg (860 lb.)	405 kg (892 lb.)	794 kg (1,750 lb.)
Breakout Force	41.9 kN (9,410 lb.)	42.5 kN (9,564 lb.)	40.2 kN (9,028 lb.)	36.7 kN (8,248 lb.)
Lift Capacity, Full Height	2922 kg (6,443 lb.)	2998 kg (6,610 lb.)	2793 kg (6,157 lb.)	2302 kg (5,075 lb.)
R Height to Bucket Hinge Pin, Maximum	3.51 m (11 ft. 6 in.)	3.51 m (11 ft. 6 in.)	3.51 m (11 ft. 6 in.)	3.51 m (11 ft. 6 in.)
S Dump Clearance, Bucket at 45 deg.	2.77 m (9 ft. 1 in.)	2.80 m (9 ft. 2 in.)	2.71 m (8 ft. 11 in.)	2.68 m (8 ft. 9 in.)
T Reach at Full Height, Bucket at 45 deg.	699 mm (27.5 in.)	664 mm (26.1 in.)	790 mm (31.1 in.)	735 mm (29.0 in.)
U Digging Depth Below Ground, Bucket Level	41 mm (1.6 in.)	41 mm (1.6 in.)	21 mm (0.8 in.)	81 mm (3.2 in.)
V Length From Front Axle Centerline to Bucket Cutting Edge	2.01 m (6 ft. 7 in.)	1.96 m (6 ft. 5 in.)	2.10 m (6 ft. 11 in.)	2.13 m (7 ft. 0 in.)

Lift Capacity With Quick-Coupler Forks [see line art below]		
Hydraulic Capacity	1219-mm (48 in.) Tines	1524-mm (60 in.) Tines
A ¹ Maximum Height	1737 kg (3,829 lb.)	1616 kg (3,563 lb.)
B ¹ Maximum Reach	2703 kg (5,959 lb.)	2542 kg (5,605 lb.)
C ¹ At Ground Line	3449 kg (7,603 lb.)	3248 kg (7,160 lb.)
D ¹ Below Ground Line	156 mm (6.1 in.)	155 mm (6.1 in.)



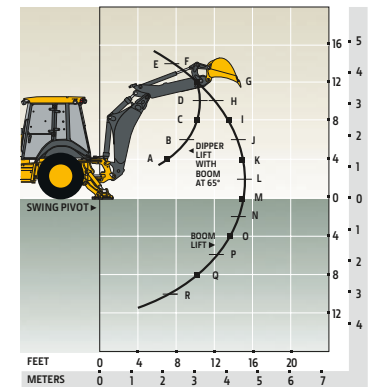
With Standard Dipperstick

Lift Capacities [see line art at right]

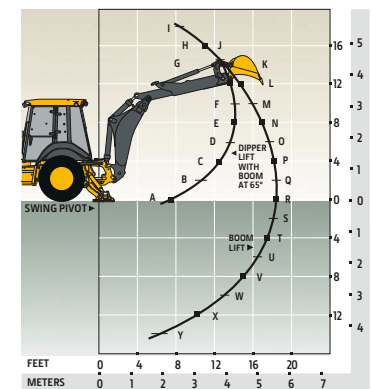
Lift capacities are over-end values in kg (lb.). Figures listed are 100% of the maximum lift force available.

With Standard Dipperstick	With 1.06-m (3 ft. 6 in.) Extendable Dipperstick, Retracted	With 1.06-m (3 ft. 6 in.) Extendable Dipperstick, Extended
A 3721 kg (8,204 lb.)	4089 kg (9,015 lb.)	2878 kg (6,346 lb.)
B 2713 kg (5,980 lb.)	2466 kg (5,437 lb.)	2245 kg (4,950 lb.)
C 2370 kg (5,226 lb.)	2171 kg (4,786 lb.)	1790 kg (3,947 lb.)
D 2317 kg (5,109 lb.)	2124 kg (4,683 lb.)	1607 kg (3,543 lb.)
E 2150 kg (4,739 lb.)	1950 kg (4,299 lb.)	1528 kg (3,369 lb.)
F 1682 kg (3,708 lb.)	1489 kg (3,283 lb.)	1475 kg (3,251 lb.)
G 1655 kg (3,648 lb.)	1467 kg (3,234 lb.)	1322 kg (2,915 lb.)
H 1590 kg (3,506 lb.)	1409 kg (3,106 lb.)	1080 kg (2,380 lb.)
I 1523 kg (3,358 lb.)	1347 kg (2,969 lb.)	883 kg (1,946 lb.)
J 1459 kg (3,217 lb.)	1286 kg (2,836 lb.)	1057 kg (2,331 lb.)
K 1400 kg (3,086 lb.)	1230 kg (2,711 lb.)	1080 kg (2,381 lb.)
L 1345 kg (2,965 lb.)	1177 kg (2,595 lb.)	1070 kg (2,359 lb.)
M 1295 kg (2,855 lb.)	1129 kg (2,489 lb.)	1049 kg (2,312 lb.)
N 1249 kg (2,754 lb.)	1084 kg (2,391 lb.)	1023 kg (2,255 lb.)
O 1207 kg (2,662 lb.)	1044 kg (2,302 lb.)	996 kg (2,195 lb.)
P 1171 kg (2,581 lb.)	1008 kg (2,222 lb.)	968 kg (2,135 lb.)
Q 1140 kg (2,514 lb.)	978 kg (2,156 lb.)	942 kg (2,077 lb.)
R 1131 kg (2,494 lb.)	966 kg (2,129 lb.)	918 kg (2,023 lb.)
S —	—	895 kg (1,972 lb.)
T —	—	874 kg (1,926 lb.)
U —	—	856 kg (1,886 lb.)
V —	—	842 kg (1,855 lb.)
W —	—	834 kg (1,840 lb.)
X —	—	844 kg (1,860 lb.)
Y —	—	955 kg (2,105 lb.)

Lift capacities are over end with stabilizers down and tires tangent to ground.



With Extendable Dipperstick, Retracted



With Extendable Dipperstick, Extended

Additional equipment

Key: ● Standard ▲ Optional or special

See your John Deere dealer for further information.

310 G Engine

- Coolant recovery tank with low-level indicator
- Foldout, hinged cooling system
- Serpentine belt with automatic belt tensioner
- Viscous variable-rate cooling fan
- ▲ Chrome exhaust extension
- Glow plugs
- ▲ 1,000-watt electric engine coolant heater
- Electronic fuel lift pump

Powertrain

- 4-speed manual synchromesh transmission
- Transmission oil cooler
- ▲ Transmission remote oil-sampling port
- Differential lock, electric foot actuated, protection on/off (software enabled)
- Planetary final drives
- Power-assisted hydraulic service brakes (conform to ISO 3450): Inboard, wet multi-disc, self-adjusting and self-equalizing
- Parking/emergency brake with electric switch control (conforms to ISO 3450): Spring applied, hydraulically released wet multi-disc / Independent of service brakes
- Hydrostatic power steering with emergency manual mode
- ▲ Non-powered front axle

310 G Powertrain (continued)

- Mechanical-front-wheel drive (MFWD) with open differential: Electric on/off control
- ▲ MFWD driveshaft guard
- Backhoe**
- Standard dipperstick digging depth**
- 4.16 m (13 ft. 8 in.)
- Extendable dipperstick extension**
- ▲ 1.06 m (3 ft. 6 in.)
- ISO (Deere) 2-lever mechanical backhoe controls
- ▲ 2-lever pilot controls with pattern-selection feature
- Backhoe transport lock lever
- Swing lock pin stored in operator's station
- Stabilizers with 2-direction anti-drift valves
- ▲ Backhoe couplers for John Deere, Case, and Cat buckets
- ▲ Auxiliary backhoe valve with 1-way flow for hammers and compactors with plumbing
- ▲ Auxiliary backhoe valve with 1- and 2-way flow for swingers, thumbs, augers, etc. (plumbing not included)
- ▲ Hydraulic thumb
- Loader[†]**
- Loader bucket anti-spill (rollback)
- Return-to-dig feature

310 G Loader[†] (continued)

- Single-lever control with electric clutch disconnect
- Bucket-level indicator
- Loader boom service lock
- ▲ Auxiliary loader hydraulics with single control lever with EH auxiliary control (MFWD and clutch disconnect)
- ▲ Hydraulic coupler for buckets, forks, etc.
- ▲ Standard ride control
- Hydraulic System**
- 124-L/m (32.8 gpm) backhoe flow, 114-L/m (30.1 gpm) loader flow
- Dedicated hydraulic reservoir
- Electrical System**
- 12-volt system
- 130-amp alternator
- Single battery with 175-min. reserve capacity and 950 CCA
- ▲ Dual batteries with 350-min. reserve capacity and 1,900 CCA
- ▲ Remote jump posts and battery disconnect
- Lights**
- Halogen lights (4), 32,500 candlepower each (2 front and 2 rear)
- Turn signal/flashing (2 front and 2 rear)
- Rear stop and tail (2)
- ▲ LED light package

[†]See dealer for range of heavy-duty (HD), multipurpose, and coupler buckets and forks.

While general information, pictures, and descriptions are provided, some illustrations and text may include product options and accessories NOT AVAILABLE in all regions, and in some countries products and accessories may require modifications or additions to ensure compliance with the local regulations of those countries.

Net engine power is with standard equipment including air cleaner, exhaust system, alternator, and cooling fan at test conditions specified per ISO 9249. No derating is required up to 1500-mm (5,000 ft.) altitude. Specifications and design are subject to change without notice. Wherever applicable, specifications are in accordance with ISO standards. Except where otherwise noted, these specifications are based on a unit with 19.5L-24-in. 12PR (R4) tubeless rear and 12-16.5 12PR (NHS) front tires, and 0.86-m³ (1.12 cu. yd.) loader bucket.

Additional equipment *(continued)*

Key: ● Standard ▲ Optional or special

See your John Deere dealer for further information.

310 G Operator's Station

- Modular-design ROPS/FOPS (Level 2) canopy with molded roof (meets ISO 3449 and ISO 3471/SAE J1040): Isolation mounted
- Molded floor mats (with pilot controls only)
- 12-volt outlet
- Lockable right-side storage
- ▲ Lockable left-hand storage with cup holders
- ▲ Interior front-view mirror
- ▲ Outside rearview mirrors
- Rotary-dial hand throttle
- Suspended foot throttle
- Mechanical-suspension seat, vinyl cover
- ▲ Air-suspension heated seat (with cab only)
- ▲ Air-suspension vinyl seat
- Key start switch with electric fuel shutoff
- Tilt steering, infinitely adjustable (with cab only)
- ▲ Tilt steering, infinitely adjustable (with canopy and quarter cab)
- ▲ Machine security (enabled through monitor)
- Digital display of engine hours, engine rpm, and system voltage

310 G Operator's Station *(continued)*

- Monitor system with audible and visual warnings: Engine air restriction / Low alternator voltage / Engine oil pressure / Hydraulic filter restriction / Parking brake on/off / Aftertreatment temperature / Transmission fluid temperature / Fuel / Hour meter / Machine diagnostic information via 4-push-button/LCD operator interface
- **Canopy:** Mechanical-suspension deluxe vinyl swivel seat with lumbar adjustment and armrests (fully adjustable)
- ▲ **Cab with Dual Doors and A/C:** Mechanical-suspension deluxe fabric swivel seat with lumbar adjustment / Headliner, dome light, left and right cab doors, tinted safety glass, windshield wipers (1 rear and 1 front), front windshield washer, fresh-air intake, and heater/defroster/pressurizer (11.7-kW [40,000 Btu/h] heater) / A/C (7.6-kW [26,000 Btu/h] output and CFC-free R134a refrigerant)
- ▲ AM/FM/weather-band (WB) radio (with cab only)
- ▲ Premium radio package (with cab only; includes additional 12-volt and USB outlets)

310 G Overall Vehicle

- 1-piece unitized construction mainframe
- Vehicle tie-downs (2 front and 2 rear)
- Remote grease bank for front axle
- Front bumper cover
- ▲ HD front bumper
- ▲ Front counterweight – 204 kg (450 lb.), 340 kg (750 lb.), 454 kg (1,000 lb.), or 567 kg (1,250 lb.)
- ▲ Rubber grille bumpers
- Fuel tank, 128.7 L (34 gal.), ground-level fueling
- 2-position easy-tilt hood
- Extended grille frame
- ▲ Toolbox with padlock hasp
- Vandal protection for locking monitor, engine hood, toolbox, hydraulic reservoir, and fuel tank
- Reverse warning alarm
- Dent-resistant full-coverage rear fenders
- ▲ Backhoe boom-protection plate
- ▲ JDLink™ wireless communication system (available in specific countries; see your dealer for details)
- ▲ HD front grille screen
- ▲ HD stabilizer pads

While general information, pictures, and descriptions are provided, some illustrations and text may include product options and accessories NOT AVAILABLE in all regions, and in some countries products and accessories may require modifications or additions to ensure compliance with the local regulations of those countries.

Net engine power is with standard equipment including air cleaner, exhaust system, alternator, and cooling fan at test conditions specified per ISO 9249. No derating is required up to 1500-mm (5,000 ft.) altitude. Specifications and design are subject to change without notice. Wherever applicable, specifications are in accordance with ISO standards. Except where otherwise noted, these specifications are based on a unit with 19.5L-24-in. 12PR (R4) tubeless rear and 12-16.5 12PR (NHS) front tires, and 0.86-m³ (1.12 cu. yd.) loader bucket.



MB310GAU (23-03)



JOHN DEERE