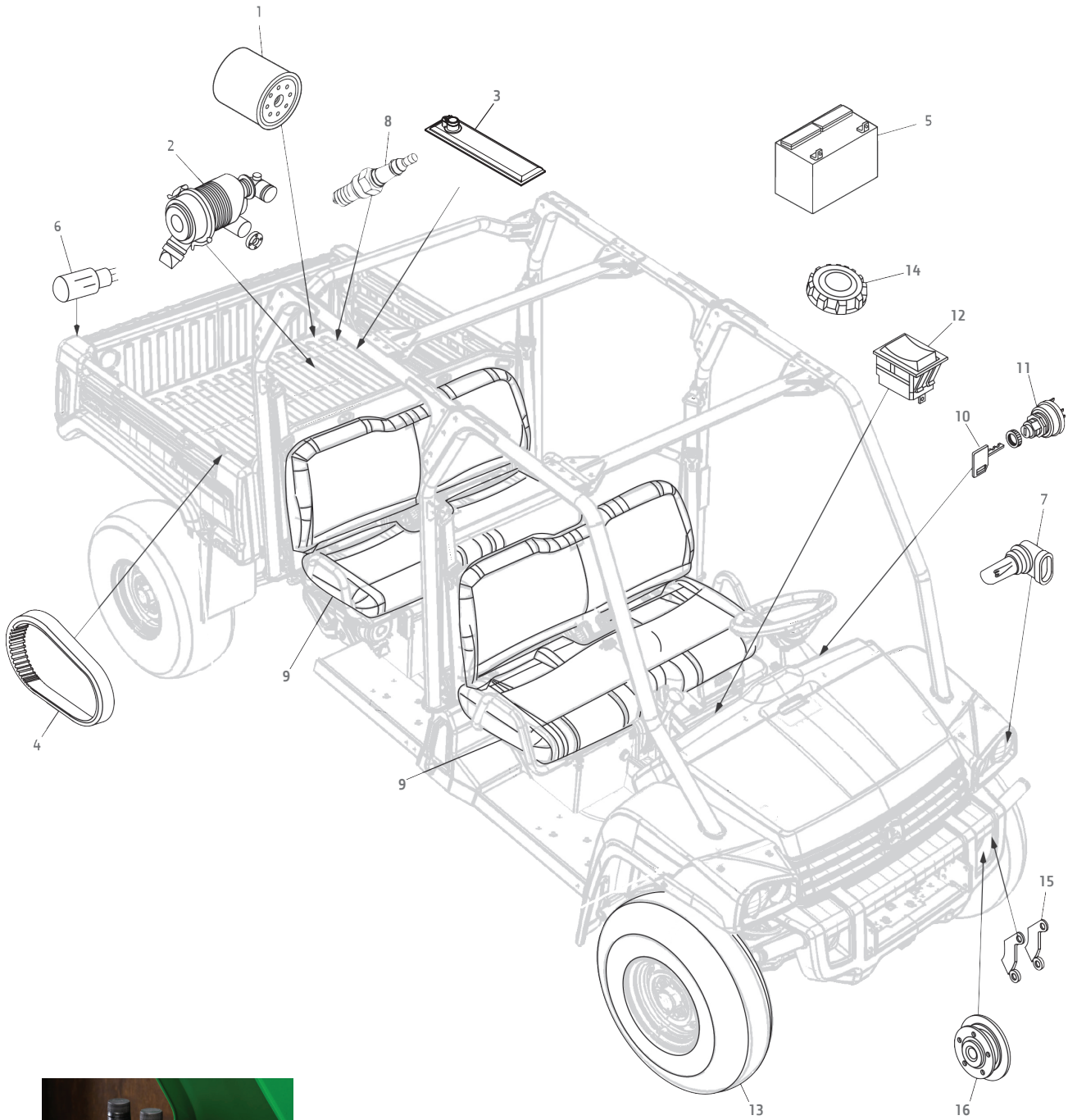


Gator XUV825M S4 4X4 (Camo, Green & Yellow, Olive & Black)



17

Gator XUV825M S4 4X4 (Camo, Green & Yellow, Olive & Black)

Key	Part No.	Description	Key	Part No.	Description
1	AM107423	OIL FILTER	9	AM142362	SEAT - REAR BACK - YELLOW
2	M113621	AIR FILTER ELEMENT		AM142364	SEAT - REAR BACK - BLACK
3	UC16096	FUEL FILTER - IN LINE		AM142363	SEAT - REAR BOTTOM - YELLOW
4	M174096	BELT - DRIVE		AM142365	SEAT - REAR BOTTOM - BLACK
	MIU13962	BELT - ALTERNATOR	10	AUC12681	KEY
5	TY25881	BATTERY	11	AUC12631	IGNITION SWITCH
6	R133302	BULB - BRAKE LIGHT	12	AM147340	ROCKER SWITCH - HEADLIGHT
7	AM144882	BULB - HEADLIGHT	13	M177842	TIRE - FRONT — 25 X 9 -12 in
8	MIU12783	SPARK PLUG		M177843	TIRE - REAR — 25 X 11-12 in
9	AM138194	SEAT - YELLOW — 21"	14	AM146138	FILLER CAP
	AM138195	SEAT - BLACK — 21"	15	AM140607	BRAKE KIT - FRONT - INCLUDES 4 PADS
	AM144196	SEAT - HIGH BACK SPORT -BLACK		AM141182	BRAKE KIT - REAR - INCLUDES 4 PADS
	AM140623	SEAT - FRONT BACK - YELLOW	16	AM142949	ROTOR
	AM140945	SEAT - FRONT BACK - BLACK	17	LG270	HOME MAINTENANCE KIT
	AM140624	SEAT - FRONT BOTTOM - YELLOW			
	AM140946	SEAT - FRONT BACK - BLACK			

Parts Needed in First 250 Hours of Operation

Qty	Part No.	Item	Capacity	Interval In Hours
3	AM107423	Engine Oil Filter		8/100/200
7	TY22029	John Deere Turf-Gard™ 10W30 Engine Oil	2.2 L (2.3 qt)	8/100/200
3	MIU12783	Spark Plugs		200
1	M113621	Air Filter Element		200
3	TY24416	Multi-Purpose HD Lithium Complex Grease		As Needed

Capacities

Crankcase (with filter)	2.2 L (2.3 qt)
4WD Front Differential	0.59 L (0.61 qt)
Transaxle	3.8 L (4 qt)
Cooling system (Including recovery tank)	5 L (5.2 qt)