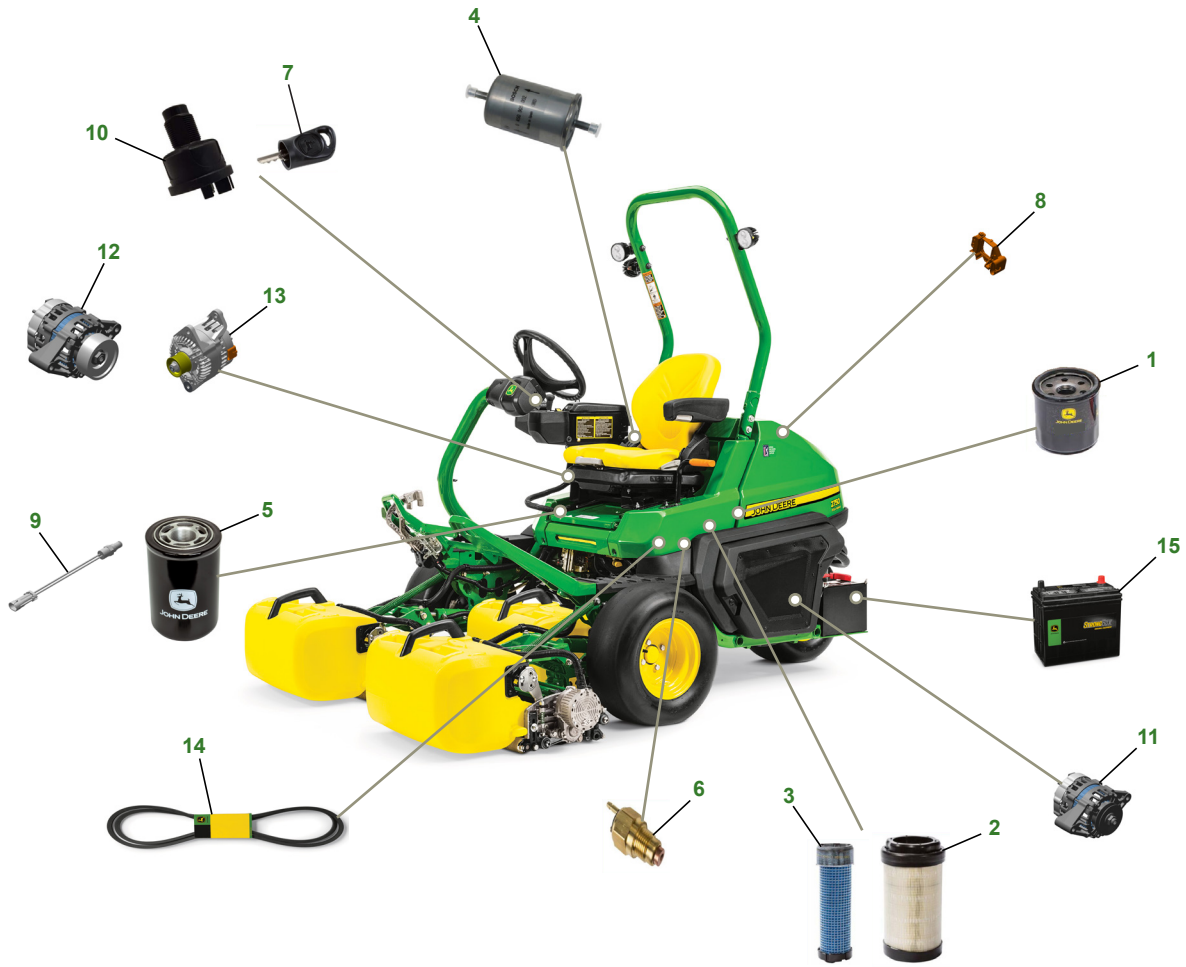


2750 PrecisionCut™ / 2750 E-Cut™ Riding Greens Mowers



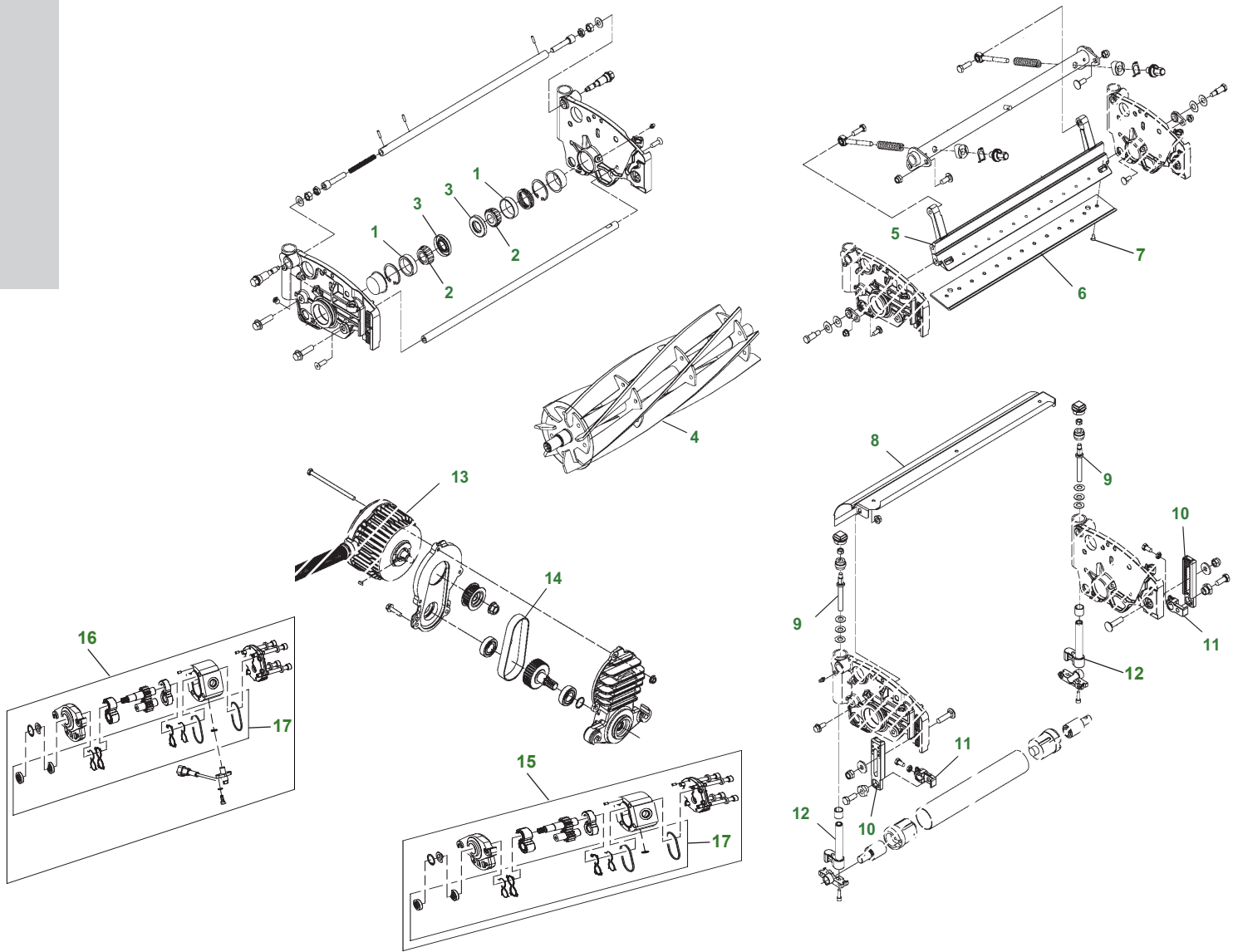
Key	Part No.	Description	Key	Part No.	Description
1	M806418OIL FILTER	9	TCA26026OIL PRESSURE SWITCH
2	LVU34503AIR FILTER - PRIMARY	10	AUC15805ROTARY SWITCH
3	LVU34504AIR FILTER - SECONDARY	11	AUC12724ALTERNATOR - 55 A - 2750 PRECISION CUT
4	MIU804763FUEL FILTER	12	AUC12725ALTERNATOR - 55 A - 2750 E-CUT
5	LVU14258HYDRAULIC FILTER	13	AUC17178ALTERNATOR - 100 A - 2750 E-CUT
6	CH15516WATER TEMP SWITCH	14	TCU24175BELT - ALTERNATOR - 2750 E-CUT
7	AUC12681KEY	15	TY25876BWET CHARGED BATTERY
8	AUC17177VOLTAGE REGULATOR - 2750 E-CUT			

Parts Needed in First 500 hours of Operation

Qty	Part No.	Item	Capacity	Interval In Hours
1	M806418	Engine Oil Filter	1	500
3	TY26674	Plus-50™ II 15W-40 Engine Oil	2.2 L (2.3 qt)	500
1	LVU14258	Hydraulic Filter	1	50
1	TY24416	John Deere Multi-Purpose Hd Lithium Complex Grease		As Needed
1	LVU34503	Air Filter - Primary	1	500
1	LVU34504	Air Filter - Secondary	1	500
1	MIU804763	Fuel Filter	1	500

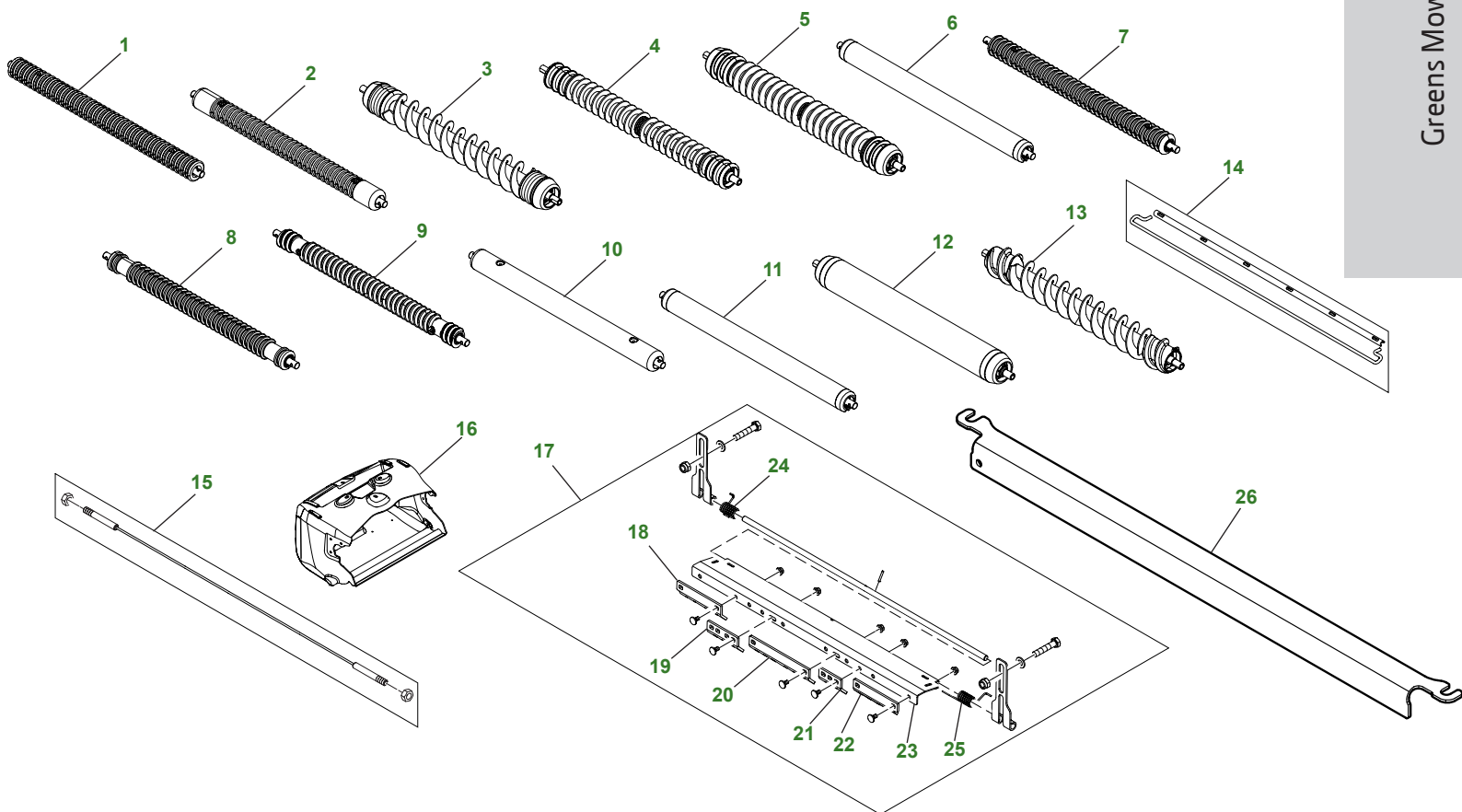
*Refer to Operators Manual for service intervals if using BioDiesel Fuel and Bio Hy-Gard.

2750 PrecisionCut™ / 2750 E-Cut™ 22 in. QA5 Reel Cutting Unit



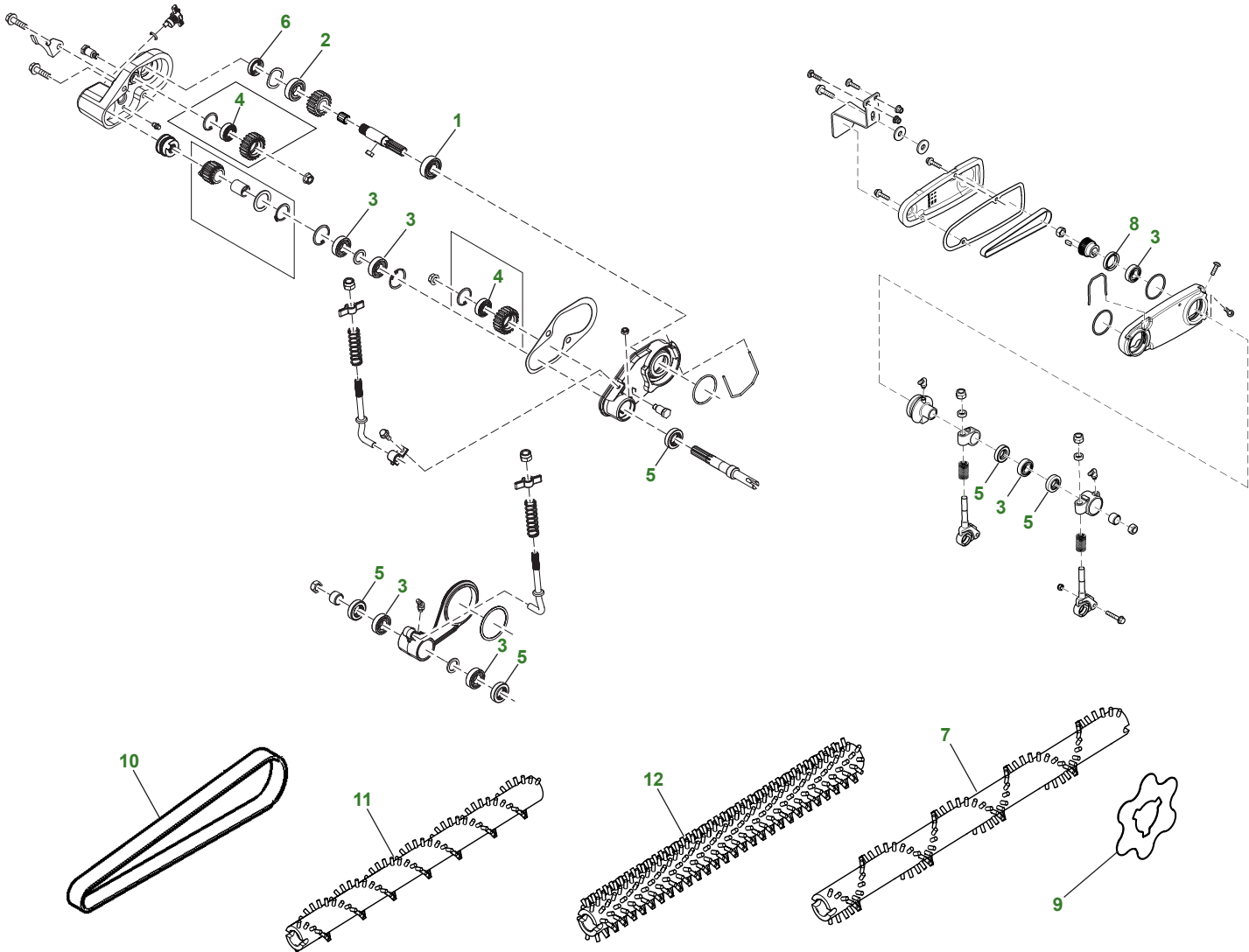
Key	Part No.	Description	Key	Part No.	Description
1	JD8226BEARING CUP	8	TCA19624SHIELD
2	JD8188BEARING CONE	9	TCU24328ADJUSTER
3	ET14566SEAL	10	UC16108BRACKET
4	TCA19350REEL - 7-BLADE	11	UC16109BRACKET - IF NO FTC/GTC OR UC18211 IF USING FTC/GTC, RH
	TCA19351REEL - 11-BLADE		UC18211BRACKET IF USING FTC/GTC OR UC16109 IF NO FTC/GTC, LH
	TCA23621REEL - 14-BLADE	12	AUC13512ADJUSTER
5	TCU35968SHOE	13	AUC12498ELECTRIC MOTOR - 80 inch - LONG HARNESS - 2750 E-CUT
6	UC18873BEDKNIFE - STANDARD		AUC12499ELECTRIC MOTOR - 45 inch - SHORT HARNESS - 2750 E-CUT
	UC18869BEDKNIFE - STANDARD - TOURNAMENT	14	TCU33535SYNCHRONOUS BELT - 2750E-CUT
	UC18865BEDKNIFE - FAIRWAY LOW-CUT - 7-BLADE	15	TCA22470HYDRAULIC MOTOR - FRONT - 2750 PRECISION CUT
	UC23562BEDKNIFE - FAIRWAY - HIGH-CUT	16	AUC10050HYDRAULIC MOTOR - REAR - 2750 PRECISION CUT
	UC19154BEDKNIFE - LOW-CUT - 11-BLADE	17	TCA19114SEAL KIT - 2750 PRECISION CUT
	ET11066BEDKNIFE - 3.2 mm - STANDARD W/HARDENED INSERT			
	TCU36165BEDKNIFE - HARDENED LESS AGGRESSIVE LOW-CUT - 11-BLADE, 14-BLADE			
7	21M7194SCREW			

2750 PrecisionCut™ / 2750 E-Cut™ 22 in. Rollers, Scrapers and Grass Catchers



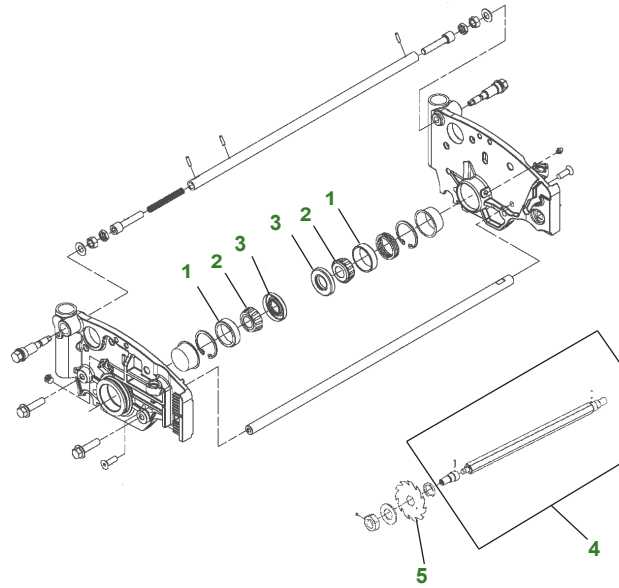
Key	Part No.	Description	Key	Part No.	Description
1	BM18481	ROLLER - CONTINUOUS MACHINE GROOVED FRONT (2 in.)	15	BM22995	SCRAPER - SMOOTH ROLLER (2 in.)
2	BM18712	ROLLER - EXTENDED MACHINE GROOVED FRONT (2 in.)	16	UC18745	GRASS CATCHER - BLACK
3	AMT1286	ROLLER - GROOVED END SPIRAL	16	UC18744	GRASS CATCHER - YELLOW
4	BM26408	ROLLER - GROOVED (2.5 in.)	17	BM23002	SCRAPER - GROOVED ROLLER (3 in.)
5	BM25317	ROLLER - HEAVY DUTY GROOVED DISC FRONT (3 in.)	18	MT5158	SCRAPER - LH END
6	BM24202	ROLLER - HOLLOW SMOOTH (2 in.)	19	MT2341	SCRAPER - 4 TOOTH
7	BE23416	ROLLER - MACHINE GROOVED FRONT (2 in.)	20	MT2340	SCRAPER - CENTER
8	BTC10267	ROLLER - RELIEVED GROOVED (2 in.)	21	MT2342	SCRAPER - 3 TOOTH
9	BM23566	ROLLER - RELIEVED SPIRAL GROOVED (2 in.)	22	MT5159	SCRAPER - RH END
10	BM18711	ROLLER - SMOOTH FRONT (2 in.)	23	TCU27038	SCRAPER
11	BM18480	ROLLER - HOLLOW SMOOTH FRONT (2 in.)	24	TCU27037	TORSION SPRING - LH
12	AMT2967	ROLLER - SMOOTH (2 in.)	25	TCU27036	TORSION SPRING - RH
13	BM19817	ROLLER - SPIRAL GROOVED FRONT (3 in.)	26	BUC10113	SCRAPER - SMOOTH FRONT (2 in.)
14	TCA19547	SCRAPER - MACHINE GROOVED ROLLER (2 in.)			

2750 PrecisionCut™ / 2750 E-Cut™ 22 in. QA5 FTC, GTC and Brushes



Key	Part No.	Description	Key	Part No.	Description
1	M802355BALL BEARING	8	TCU24983SEAL
2	JD8653BALL BEARING	9	MT2624KNIFE - FAIRWAY TENDER CONDITIONER
3	UC14112BALL BEARING		ET14707KNIFE - GREENS TENDER CONDITIONER
4	ET16027BALL BEARING	10	TCU32422SYNCHRONOUS BELT
5	UC14089SEAL	11	UC14646FRONT ROTARY TURF BRUSH
6	MT2622SEAL	12	UC14649FRONT ROTARY DENSE BRUSH
7	TCU38853REAR ROLLER POWER BRUSH			

2750 PrecisionCut™ / 2750 E-Cut™ 22 in. QA5 Vertical Cutting Unit



Key	Part No.	Description	Key	Part No.	Description
1	JD8226BEARING CUP	4	TCA19344SHAFT
2	JD8188BEARING CONE	5	TCU26776KNIFE
3	ET14566SEAL			