

FILTER OVERVIEW WITH SERVICE INTERVALS AND CAPACITIES

30, 40 and 50 Series Four-Wheel Drive Tractors - 8430, 8630, 8440, 8640, 8450, 8650, 8850

ENGINE

OIL FILTER

[AR43634](#) (8430; 8630 SN -040123; 8440; 8640; 8450 SN -040123; 8650 SN -040123)

[DZ101880](#) (8430; 8630 SN 040124-; 8440; 8640; 8450 SN 040124-; 8650 SN 040124-; 8850)

Replace after every 200 hours.

BYPASS FILTER

[RE21748](#) (8630, 8440, 8640, 8450, 8650, 8850)

Replace after every 200 hours.

(Click here for [capacity](#))

ENGINE

SECONDARY AIR FILTER

[AR70107](#) (8430, 8630, 8440, 8640, 8450, 8650)

[AR95759](#) (8850)

Replace annually or as required.

ENGINE

PRIMARY AIR FILTER

[AR70106](#) (8430, 8630, 8440, 8640, 8450, 8650)

[AR95758](#) (8850)

Replace annually or as required.

ENGINE

FUEL FILTER

[AR50041](#) (8430) - Qty. 2

[AR86745](#) (8630, 8440, 8640, 8450, 8650, 8850) - Qty. 2

Replace fuel filters after every 600 hours.

FUEL WATER SEPARATOR

[AR86755](#) (8430)

Replace fuel filters after every 600 hours.

ENGINE

COOLANT FILTER

[RE11992](#)

Replace after every 600 hours.

(Click here for [capacity](#))

CAB

RECIRCULATION AIR FILTER

[RE12793](#) (STANDARD)

[RE67830](#) (HEAVY-DUTY)

Replace after every 200 hours.

CAB

FRESH AIR FILTER

[R65450](#)

Replace after every 200 hours.

TRANSMISSION/HYDRAULIC OIL FILTER

[AR75603](#) (8430 SN -005625; 8630 TSN -007636) - Qty. 2

[AR94510](#) (8430 SN 005626-; 8630 TSN 007637-; 8440, 8640) - Qty. 2

[AR99661](#) (8450, 8650, 8850) - Qty. 2

([AR98098](#)) 10 micron Clean-up filter to be used after a transmission failure)

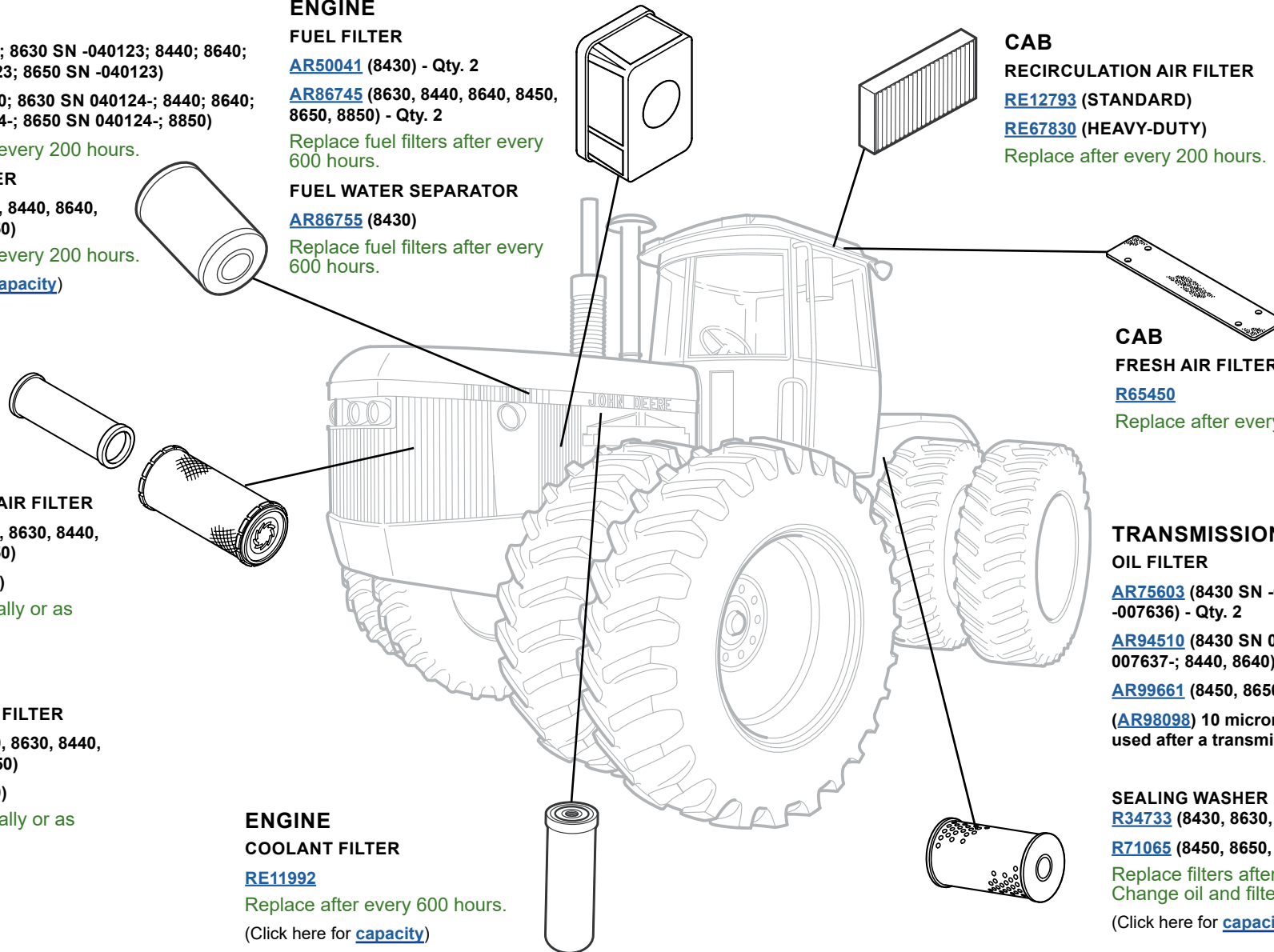
SEALING WASHER

[R34733](#) (8430, 8630, 8440, 8640)

[R71065](#) (8450, 8650, 8850)

Replace filters after every 600 hours. Change oil and filters every 1200 hours.

(Click here for [capacity](#))



CAPACITIES

30, 40 and 50 Series Four-Wheel Drive Tractors - 8430, 8630, 8440, 8640, 8450, 8650, 8850

CAPACITIES (Approximate):

Fuel Tank:

8430, 8630, 8440.....	590 L (156 gal)
8640, 8650.....	810 L (214 gal)
8450.....	700 L (185 gal)
8850.....	908 L (240 gal)

Cooling System:

Cool-Gard™ II

8430.....	38 L (10 gal)
8630.....	42 L (11.1 gal)
8440.....	40 L (10.6 gal)
8640.....	48 L (12.7 gal)
8450.....	40 L (10.6 gal)
8650.....	45.4 L (12 gal)
8850.....	74 L (19.6 gal)

Crankcase including Filter:

Plus-50™ II

8430.....	19 L (5 gal)
8630.....	25 L (6.6 gal)
8440 (With Filter Change)	20 L (5.3 gal)
8440 (Without Filter Change)	17 L (4.5 gal)
8640 (With Filter Change)	27 L (7 gal)
8640 (Without Filter Change)	21 L (5.5 gal)
8450.....	19 L (5 gal)
8650.....	26.5 L (7 gal)
8850.....	48 L (12.7 gal)

Hydraulic/Transmission System:

Hy-Gard™

8430, 8630.....	106 L (28 gal)
8440.....	132 L (35 gal)
8640.....	136 L (36 gal)
8450, 8650.....	141.9 L (37.5 gal)
8850.....	170 L (45 gal)

* All capacities are approximate. Please check Operator Manual for exact specifications.

[Return to Filter Overview](#)

