

# 7500A / 7700A PrecisionCut™ Mower



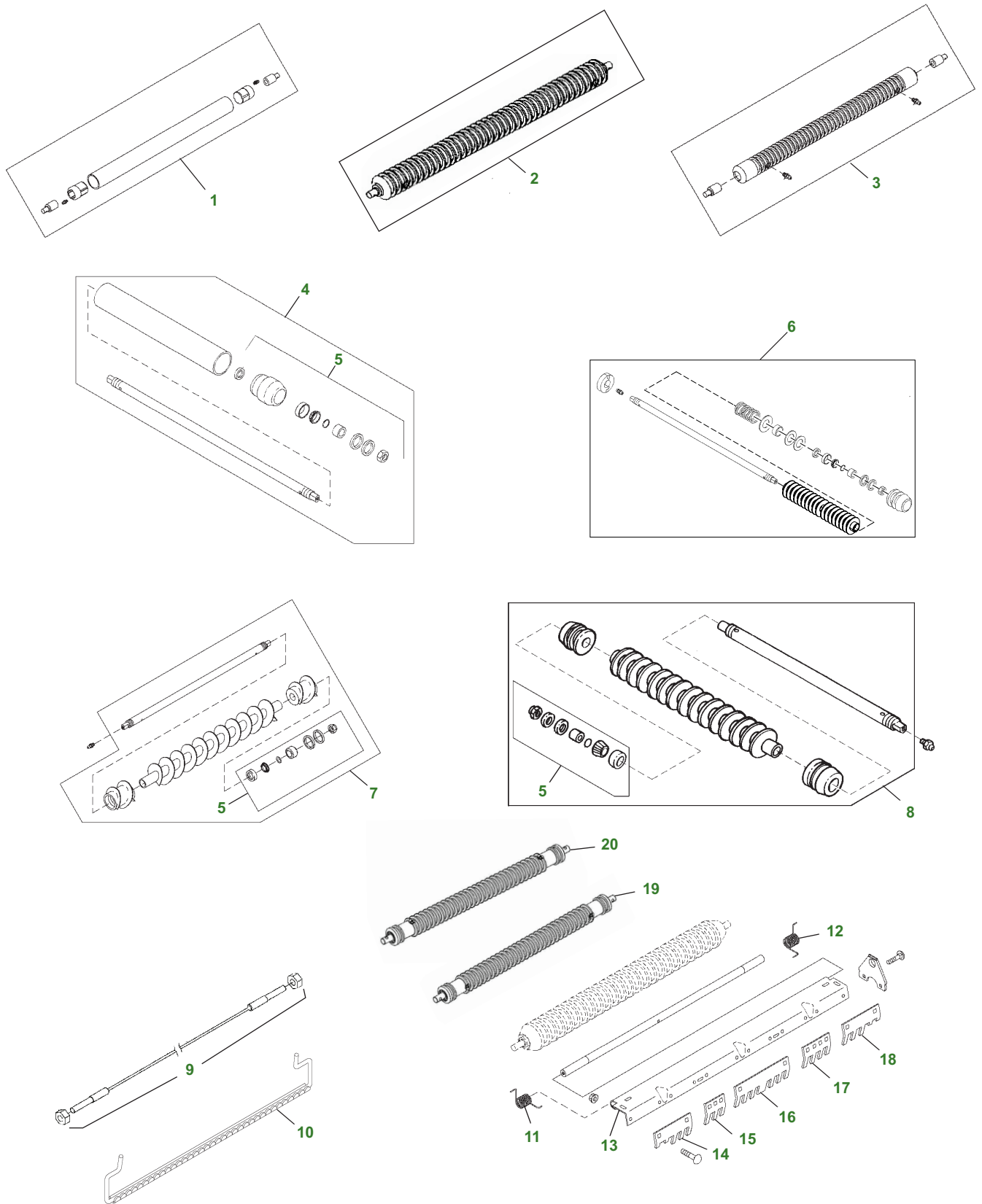
Key	Part No.	Description	Key	Part No.	Description
1	<a href="#">M806419</a>	.....OIL FILTER ELEMENT - ENGINE	9	<a href="#">TCA22740</a>	.....SWITCH (S/N - 040000)
2	<a href="#">RE69054</a>	.....HYDRAULIC FILTER		<a href="#">AUC15805</a>	.....SWITCH (S/N 040001 - )
3	<a href="#">RE68048</a>	.....AIR FILTER ELEMENT - PRIMARY	10	<a href="#">TCA24601</a>	.....FILLER CAP
4	<a href="#">RE68049</a>	.....AIR FILTER ELEMENT - SECONDARY	11	<a href="#">TCU38089</a>	.....BELT - FAN - NON TIER 4
5	<a href="#">MIU800645</a>	.....FUEL FILTER - NON TIER 4		<a href="#">TCU30780</a>	.....BELT - FAN - TIER 4
	<a href="#">MIU803127</a>	.....FUEL FILTER - FINAL - TIER 4	12	<a href="#">M811034</a>	.....THERMOSTAT
6	<a href="#">M811032</a>	.....FUEL SEPARATOR ELEMENT - NON TIER4	13	<a href="#">CH15516</a>	.....WATER TEMP SWITCH - NON TIER 4
7	<a href="#">MCYP25876</a>	.....WET CHARGED BATTERY - NOT FOR CANADA AND USA		<a href="#">MIU801119</a>	.....WATER TEMP SWITCH - TIER 4
	<a href="#">TY25876B</a>	..... WET CHARGED BATTERY - FOR CANADA AND USA	14	<a href="#">TCA23641</a>	.....TIE ROD END
8	<a href="#">AUC12681</a>	.....KEY	15	<a href="#">MIU802421</a>	.....FUEL SEPARATOR ELEMENT - TIER 4

## Parts Needed in First 500 hours of Operation

Qty	Part No.	Item	Qty or Capacity	Interval In Hours
2	<a href="#">M806419</a>	Engine Oil Filter	1	250/500
12	<a href="#">TY26674</a>	Plus-50™ II 15W-40 Engine Oil	5.7 L (6 qt)	250/500
1	<a href="#">RE69054</a>	Hydraulic Oil Filter	1	50
1	<a href="#">MIU800645</a>	Fuel Filter - Non Tier 4	1	500
1	<a href="#">MIU803127</a>	Fuel Filter - Final - Tier 4	1	500
1	<a href="#">RE68048</a>	Air Filter Element - Primary	1	500
1	<a href="#">RE68049</a>	Air Filter Element - Secondary	1	500
1	<a href="#">TY25083</a>	John Deere Special Purpose Golf and Turf Cutting Unit Grease (Cutting Unit and Cutting Unit Attachments)		As Needed
1	<a href="#">TY6341</a>	John Deere Multi-Purpose SD Polyurea Grease (Machine components, lift arms and rollers)		As Needed

\*Refer to Operators Manual for service intervals if using BioDiesel Fuel and Bio Hy-Gard.

# 7500A PrecisionCut™ Cutting Unit Rollers

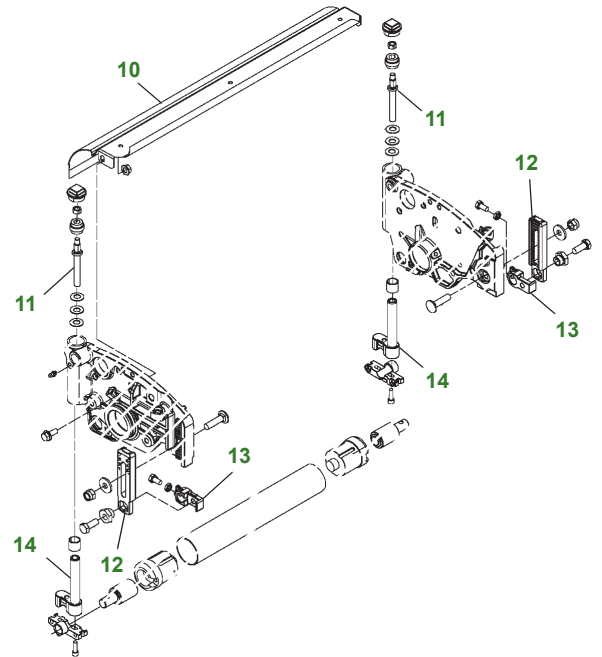
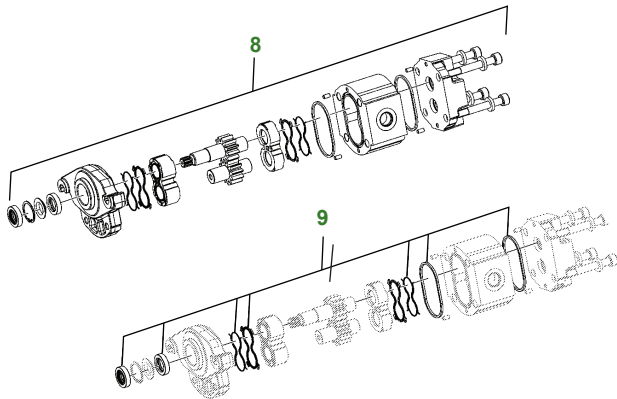
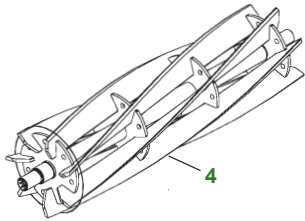
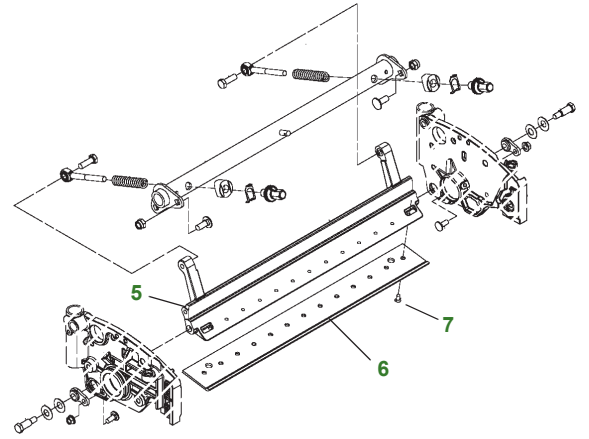
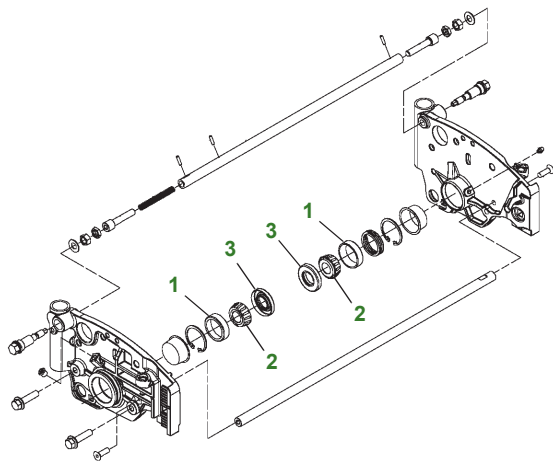


Fairway Mowers

# 7500A PrecisionCut™ Cutting Unit Rollers (Continued)

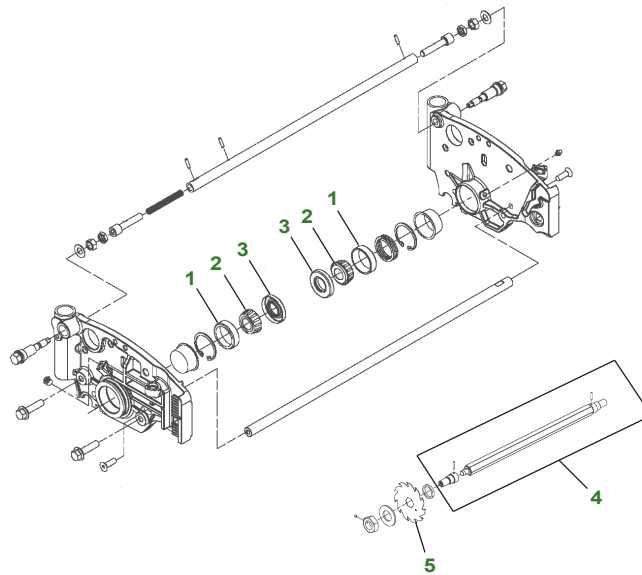
Key	Part No.	Description	Key	Part No.	Description
1	<a href="#">BM18480</a>	ROLLER - SMOOTH TUBE (2 in.)	11	<a href="#">ET17629</a>	TORSION SPRING - LH
	<a href="#">BM18711</a>	ROLLER - SMOOTH SOLID (2 in.)	12	<a href="#">ET17630</a>	TORSION SPRING - RH
2	<a href="#">BM19821</a>	ROLLER - MACHINED SPIRAL (2 in.)	13	<a href="#">MT2369</a>	SCRAPER
	<a href="#">BE23416</a>	ROLLER - GROOVED (22.5 in.)	14	<a href="#">MT5159</a>	SCRAPER - LH END
	<a href="#">BM18481</a>	ROLLER - GROOVED (23.25 in.)	15	<a href="#">MT2342</a>	SCRAPER - 3 TOOTH
3	<a href="#">BM18712</a>	ROLLER - EXTENDED GROOVED (2 in.)	16	<a href="#">MT2340</a>	SCRAPER - CENTER
4	<a href="#">AMT2967</a>	ROLLER - SMOOTH (3 in.)	17	<a href="#">MT2341</a>	SCRAPER - 4 TOOTH
5	<a href="#">AET10632</a>	SEAL KIT	18	<a href="#">MT5158</a>	SCRAPER - RH END
6	<a href="#">BM25317</a>	ROLLER - DISK (3 in.)	19	<a href="#">BM23566</a>	ROLLER - MACHINED SPIRAL (2 in.)
7	<a href="#">BM19817</a>	ROLLER - CONTINUOUS SPIRAL (3 in.)	20	<a href="#">BTC10267</a>	ROLLER - MACHINED GROOVED (2 in.)
8	<a href="#">AMT1286</a>	ROLLER - GROOVED END SPIRAL (3 in.)			
9	<a href="#">BM22995</a>	SCRAPER - SMOOTH ROLLER			
10	<a href="#">TCA19547</a>	SCRAPER - GROOVED (22 X 2 in.)			

# 7500A PrecisionCut™ Reel Cutting Unit



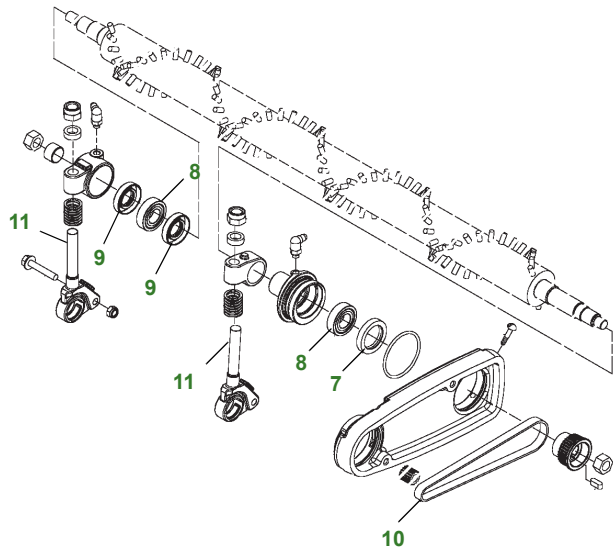
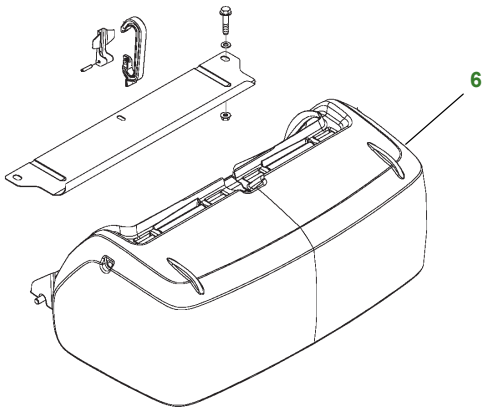
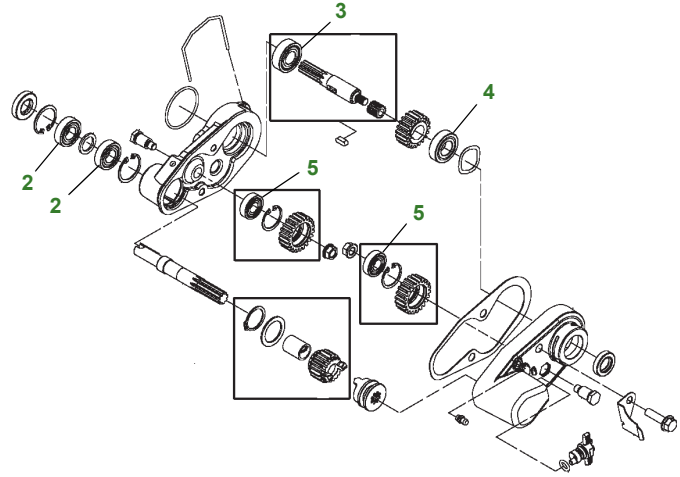
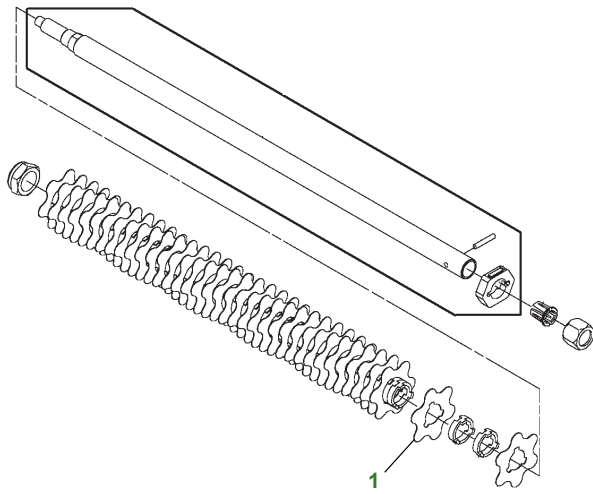
Key	Part No.	Description	Key	Part No.	Description
1	<a href="#">JD8226</a>	BEARING CUP	7	<a href="#">21M7194</a>	SCREW
2	<a href="#">JD8188</a>	BEARING CONE	8	<a href="#">TCA22474</a>	HYDRAULIC MOTOR (S/N -060000)
3	<a href="#">ET14566</a>	SEAL		<a href="#">AUC18279</a>	HYDRAULIC MOTOR (S/N 060001 -)
4	<a href="#">TCA19350</a>	REEL - 7-BLADE	9	<a href="#">TCA19114</a>	SEAL KIT
	<a href="#">TCA19351</a>	REEL - 11-BLADE	10	<a href="#">TCA19624</a>	SHIELD
	<a href="#">TCA23621</a>	REEL - 14-BLADE	11	<a href="#">TCU24328</a>	ADJUSTER
5	<a href="#">TCU35968</a>	SHOE	12	<a href="#">UC16108</a>	BRACKET
6	<a href="#">ET11066</a>	BEDKNIFE - STANDARD	13	<a href="#">UC18211</a>	BRACKET RH ( IF USING FTC / GTC)
	<a href="#">UC18869</a>	BEDKNIFE - TOURNAMENT			BRACKET LH ( IF NO FTC / GTC)
	<a href="#">UC28156</a>	BEDKNIFE - FAIRWAY LOW-CUT - 7-BLADE		<a href="#">UC16109</a>	BRACKET LH (IF USING FTC / GTC)
	<a href="#">UC23562</a>	BEDKNIFE - FAIRWAY HIGH-CUT			BRACKET RH (IF NO FTC / GTC)
	<a href="#">UC28163</a>	BEDKNIFE - LOW-CUT - 11-BLADE	14	<a href="#">AUC13512</a>	ADJUSTER
	<a href="#">TCU36165</a>	BEDKNIFE - HARDENED LESS AGGRESSIVE LOW-CUT			

# 7500A PrecisionCut™ Vertical Cutting Unit



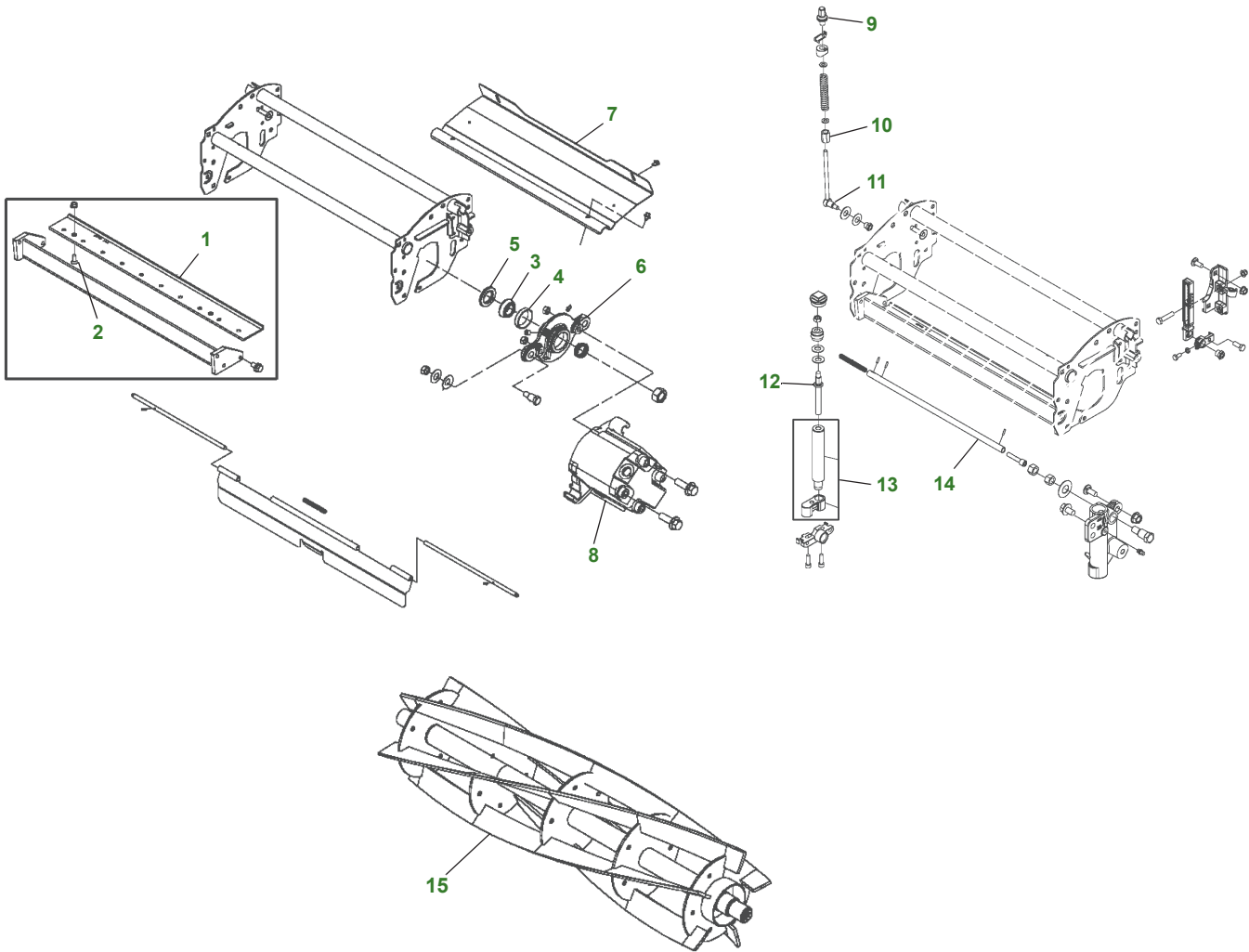
Key	Part No.	Description	Key	Part No.	Description
1	<a href="#">JD8226</a>	.....BEARING CUP	4	<a href="#">TCA19344</a>	.....SHAFT
2	<a href="#">JD8188</a>	.....BEARING CONE	5	<a href="#">TCU26776</a>	.....KNIFE
3	<a href="#">ET14566</a>	.....SEAL			

# 7500A PrecisionCut™ FTC, Rear Brush and Grass Catcher



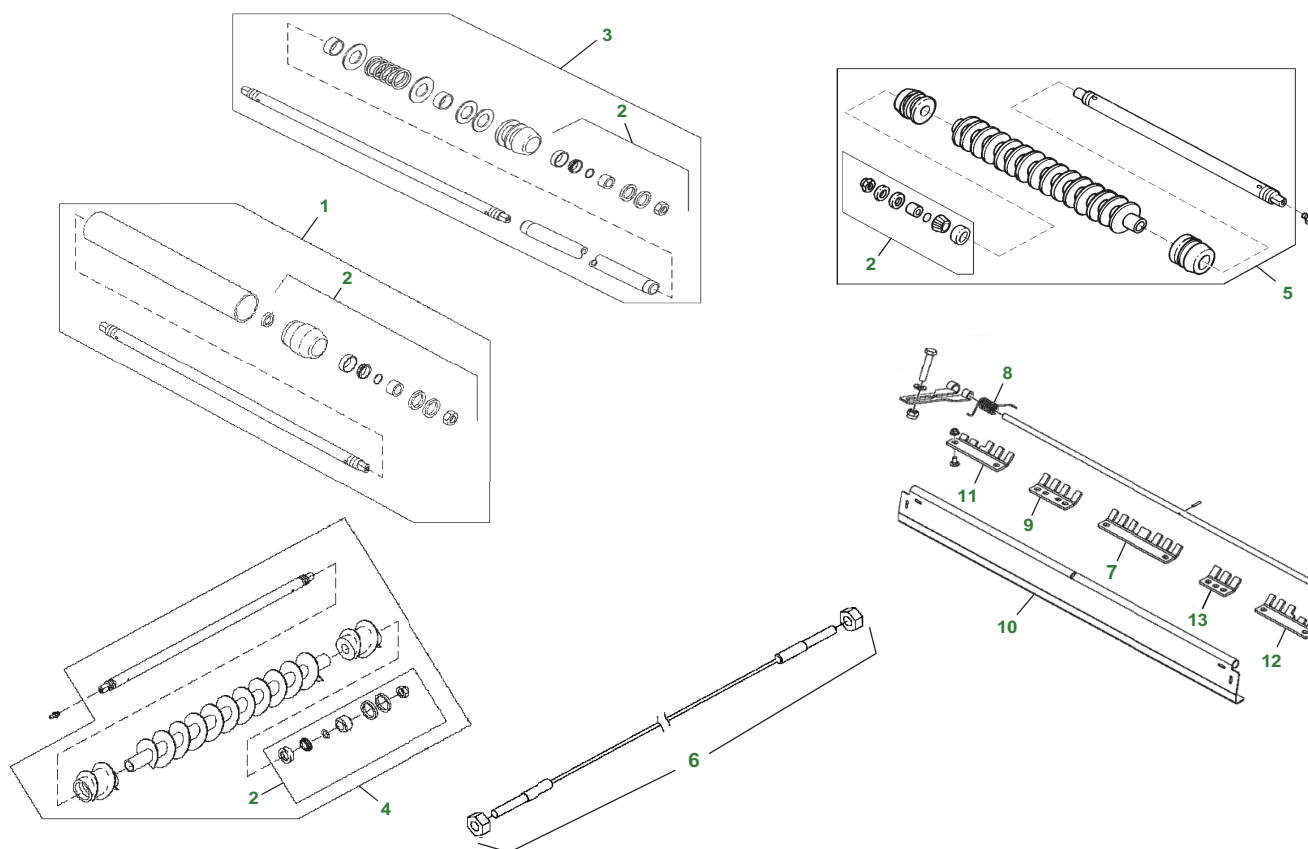
Key	Part No.	Description	Key	Part No.	Description
1	<a href="#">MT2624</a>	.....KNIFE	7	<a href="#">TCU24983</a>	.....SEAL
2	<a href="#">TCU24834</a>	.....BALL BEARING	8	<a href="#">TCU24834</a>	.....BALL BEARING
3	<a href="#">M802355</a>	.....BEARING	9	<a href="#">MT6828</a>	.....SEAL
4	<a href="#">JD8653</a>	.....BALL BEARING	10	<a href="#">TCU32422</a>	.....SYNCHRONOUS BELT
5	<a href="#">ET16027</a>	.....BALL BEARING	11	<a href="#">TCU24826</a>	.....BRACKET
6	<a href="#">BTC10718</a>	.....GRASS CATCHER - LOW PROFILE			
	<a href="#">BTC10719</a>	.....GRASS CATCHER - HIGH PROFILE			

# 7700A PrecisionCut™ Reel Cutting Unit



Key	Part No.	Description	Key	Part No.	Description	
1	<a href="#">UC23576</a>	BEDKNIFE - FAIRWAY - HIGH CUT	9	<a href="#">TCA19115</a>	SEAL KIT	
	<a href="#">UC23563</a>	BEDKNIFE - LOW-CUT FAIRWAY		10	<a href="#">UC16137</a>	ADJUSTER
	<a href="#">UC23565</a>	BEDKNIFE - ULTRA LOW-CUT		11	<a href="#">TCU26315</a>	ADJUSTER
	<a href="#">TCU32581</a>	BEDKNIFE - LESS AGGRESSIVE HARDENED INSERT		12	<a href="#">TCU25317</a>	ADJUSTER
2	<a href="#">19M7573</a>	SCREW - M8 - (9)	13	<a href="#">TCU26123</a>	ADJUSTER	
3	<a href="#">JD8933</a>	BEARING CONE	14	<a href="#">AUC13597</a>	ADJUSTER	
4	<a href="#">JD8253</a>	BEARING CUP	15	<a href="#">TCU26729</a>	TUBE	
5	<a href="#">TCU25266</a>	SEAL		<a href="#">TCA19353</a>	REEL - 8-BLADE	
6	<a href="#">UC13937</a>	BEARING HOUSING W/O BEARINGS - LH		<a href="#">TCA19354</a>	REEL - 10-BLADE	
	<a href="#">UC13941</a>	BEARING HOUSING W/O BEARINGS - RH		<a href="#">AMT2895</a>	REEL - 5-BLADE	
7	<a href="#">TCA19173</a>	SHIELD				
8	<a href="#">TCA22475</a>	HYDRAULIC MOTOR				

# 7700A PrecisionCut™ Cutting Unit Rollers

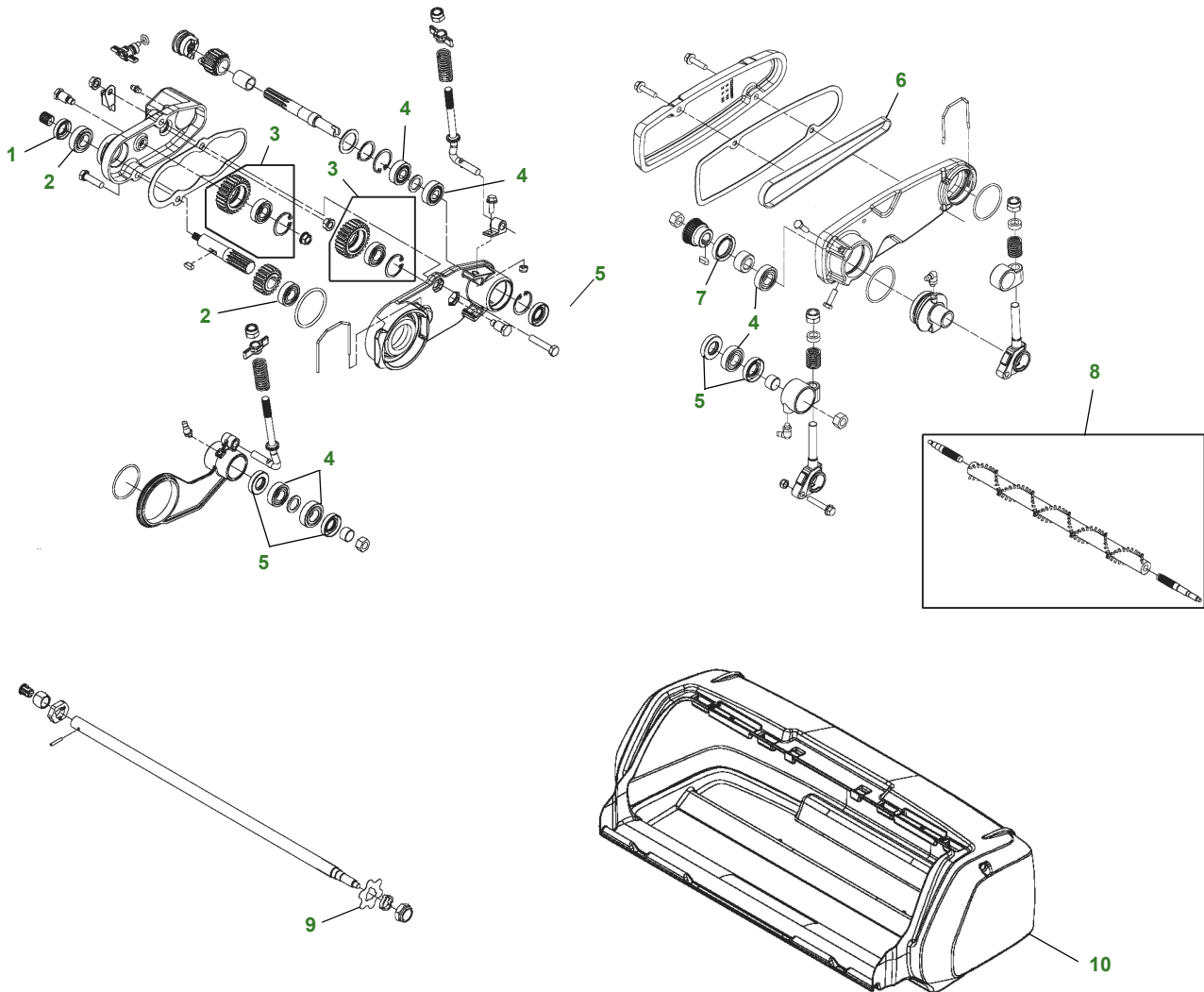


Fairway Mowers

Key	Part No.	Description	Key	Part No.	Description
1	<a href="#">AMT2967</a>	ROLLER - SMOOTH (3 in.)	8	<a href="#">TCU27037</a>	TORSION SPRING - LH
2	<a href="#">AET10632</a>	SEAL KIT		<a href="#">TCU27036</a>	TORSION SPRING - RH
3	<a href="#">BM25317</a>	ROLLER - DISK (3 in.)	9	<a href="#">MT2341</a>	SCRAPER - 4 TOOTH
4	<a href="#">BM19817</a>	ROLLER - CONTINUOUS SPIRAL (3 in.)	10	<a href="#">TCU27038</a>	SCRAPER
5	<a href="#">AMT1286</a>	ROLLER - GROOVED END SPIRAL (3 in.)	11	<a href="#">MT5158</a>	SCRAPER - RH END
6	<a href="#">BM22995</a>	SCRAPER - SMOOTH ROLLER	12	<a href="#">MT5159</a>	SCRAPER - LH END
7	<a href="#">MT2340</a>	SCRAPER - CENTER	13	<a href="#">MT2342</a>	SCRAPER - GROOVED SPIRAL ROLLER - 3 TOOTH

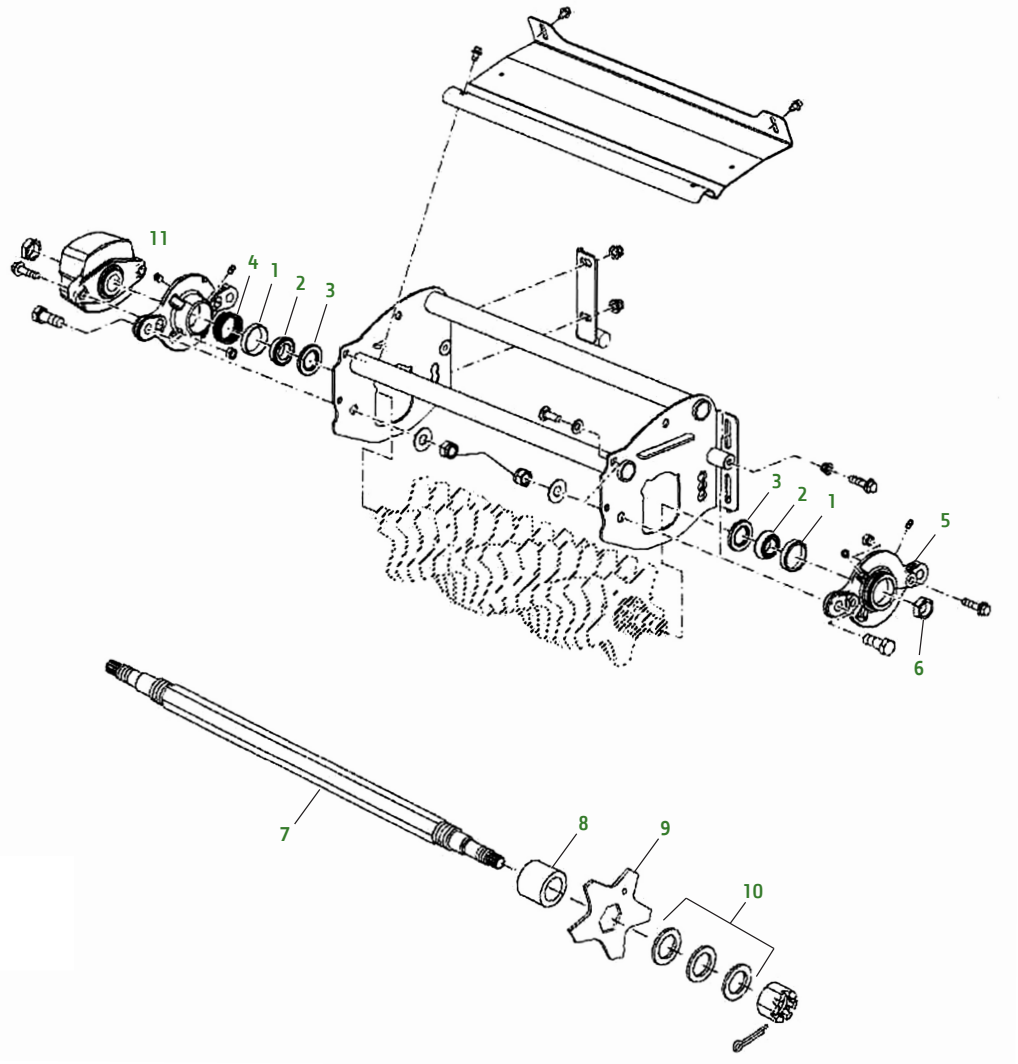


# 7700A PrecisionCut™ FTC, Rear Brush and Grass Catcher



Key	Part No.	Description	Key	Part No.	Description
1	<a href="#">MT2622</a>	.....SEAL	7	<a href="#">TCU24983</a>	.....SEAL
2	<a href="#">JD8653</a>	.....BALL BEARING	8	<a href="#">TCA18839</a>	.....REAR BRUSH KIT
3	<a href="#">TCA17898</a>	.....IDLER GEAR	9	<a href="#">MT2624</a>	.....KNIFE
4	<a href="#">TCU24834</a>	.....BALL BEARING	10	<a href="#">BTC10718</a>	.....GRASS CATCHER - LOW CAPACITY
5	<a href="#">MT6828</a>	.....SEAL		<a href="#">BTC10719</a>	.....GRASS CATCHER - HIGH CAPACITY
6	<a href="#">TCU32423</a>	.....SYNCHRONOUS BELT			

# 7700A PrecisionCut™ Vertical Cutting Unit



Key	Part No.	Description	Key	Part No.	Description
1	<a href="#">JD8253</a>	.....BEARING CUP	7	<a href="#">MT770</a>	.....SHAFT (S/N -020000)
2	<a href="#">JD8933</a>	.....BEARING CONE		<a href="#">TCA19400</a>	.....SHAFT (S/N 020001-)
3	<a href="#">TCU25266</a>	.....SEAL	8	<a href="#">ET17648</a>	.....SPACER
4	<a href="#">TCU26530</a>	.....COMPRESSION SPRING	9	<a href="#">MT6987</a>	.....DISK
5	<a href="#">UC13941</a>	.....HOUSING	10	<a href="#">24H1549</a>	.....WASHER
6	<a href="#">TCU26215</a>	.....NUT	11	<a href="#">UC13937</a>	.....HOUSING