

Z920A ZTrak™ Pro Series Mower



Commercial ZTR Mowers

Z920A ZTrak™ Pro Series Mower

Key	Part No.	Description	Key	Part No.	Description
1	AM125424	ENGINE OIL FILTER	17	TCA16216	FILLER CAP
2	M131802	AIR FILTER - PRIMARY	18	TCA21022	MUFFLER
3	M131803	AIR FILTER - SECONDARY	19	TCA19309	CASTER WHEEL
4	AM116304	FUEL FILTER	20	TCU22802	TIRE REAR (24 X 9.50 - 12) - 48 inch
5	MIA881446	TRANSMISSION FILTER KIT		TCU13631	TIRE REAR (24 X 12 - 12) - 54 inch OR 60 inch
6	M805853	SPARK PLUG	21	TCA23663	SEAT ASSEMBLY
7	TCU26349	V-BELT - TRACTION DRIVE (S/N - 020000)	22	TCA15398	BRAKE SWITCH
	TCU28434	V-BELT - TRACTION DRIVE (S/N 020001 -)	23	TCA20380	PTO CLUTCH
8	TY25221B	WET CHARGED BATTERY			
9	TCA22740	IGNITION SWITCH			
10	AUC12681	IGNITION KEY			
11	AUC15008	PTO SWITCH			
12	AUC12656	STARTER			
13	AM123716	RELAY			
14	AM117324	SWITCH - HEADLIGHT (OPTIONAL)			
15	R136239	HEADLIGHT BULB (OPTIONAL)			
16	AM125447	HEADLIGHT (OPTIONAL)			

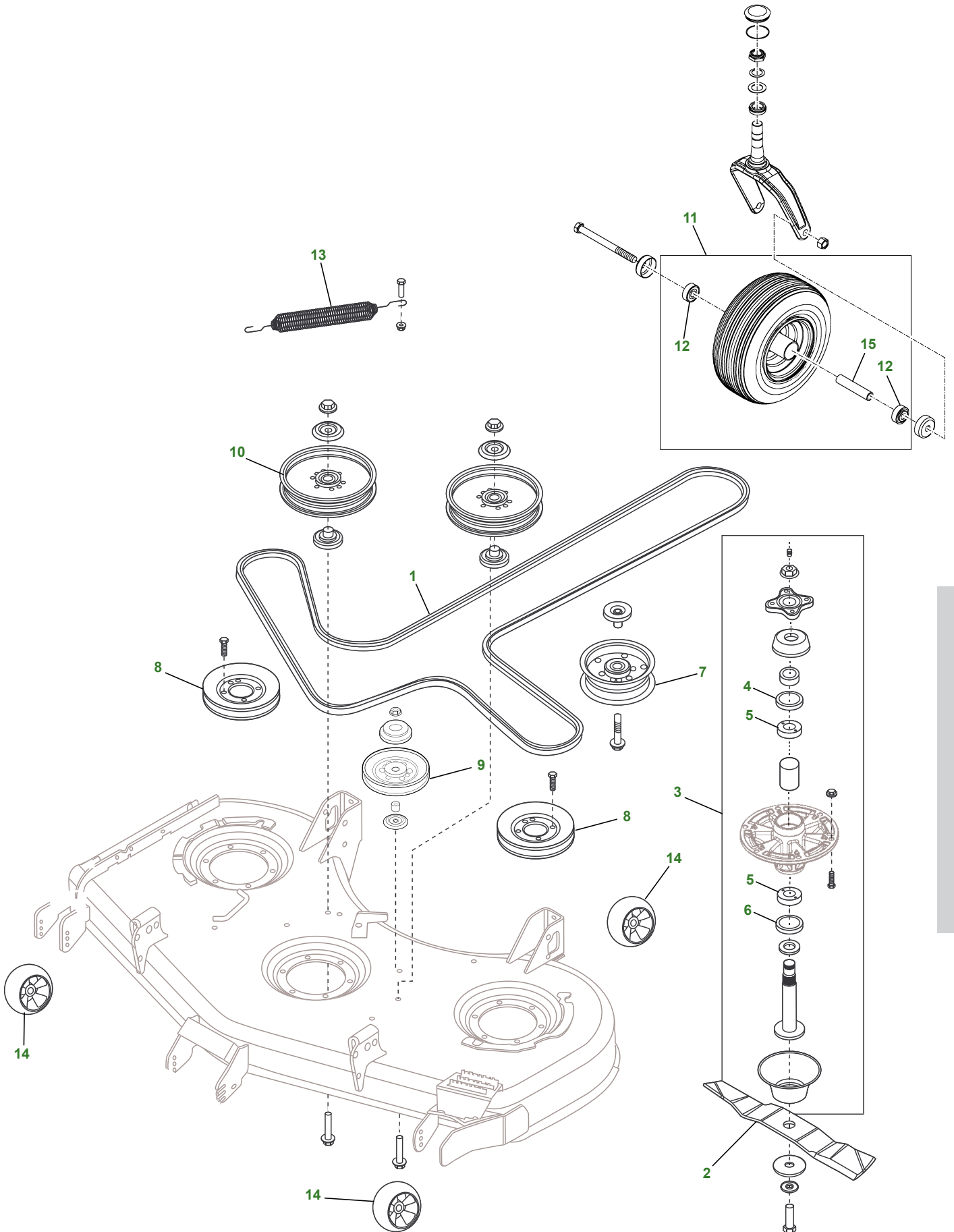
Parts Needed in First 500 Hours of Operation

Qty	Part No.	Item	Capacity	Interval In Hours
6	AM125424	Engine Oil Filter		8/100/200/300/400/500
18	TY22029	Turf-Gard™ 10W-30 Engine Oil	1.7-2.1 L (1.8-2.2 qt)	8/100/200/300/400/500
1	AM116304	Fuel Filter		500
1	MIA881446	Transmission Filter	1	300
5	TY6354	Hy-Gard™ Transmission Oil	4.25 L (4.5 qt)	300
1	TY6341	John Deere Multi-Purpose SD Polyurea Grease		As Needed

Frequently Used Items

Qty	Part No.	Item
1	M131802	Air Filter - Primary
1	M131803	Air Filter - Secondary
1	AM116304	Fuel Filter
2	M805853	Spark Plug
1	TCU26349 TCU28434	Belt - Traction Drive - (S/N - 020000) Belt - Traction Drive - (S/N 020001-)
1	TCA16216	Filler Cap
1	AUC12681	Ignition Key
1	AM130907	Mower Deck Leveling Gauge
1	TY26518	Grease Gun

48 in. / 54 in. / 60 in. / 72 in. decks (Z900 Series)



Commercial ZTR Mowers

48 in . / 54 in . / 60 in . / 72 in . decks (Z900 Series) (Continued)

Key	Part No	Description	Key	Part No	Description
1	TCU26294 BELT - 48 in.	8	TCU26965 SHEAVE ASSEMBLY - 48 in.
	TCU26295 BELT - 54 in.		TCU26966 SHEAVE ASSEMBLY - 54 in.
	TCU26297 BELT - 60 in.		TCU26967 SHEAVE ASSEMBLY - 60 in.
	TCU26298 BELT - 72 in.		TCU26968 SHEAVE ASSEMBLY - 72 in.
2	TCU30315 BLADE - 48 in	9	AUC16478 IDLER
	TCU21475 BLADE - MOD - 48 in.		24M7047 WASHER
	TCU30316 BLADE - 54 in.	10	AUC11584 IDLER
	TCU15881 BLADE - HIGH LIFT - 60 in.	11	TCA19309 CASTER WHEEL TIRE & WHEEL ASSEMBLY
	M133381 BLADE - LOW LIFT - 60 in.	12	AA21480 BALL BEARING
	M168223 BLADE - MULCH - 60 in.	13	TCU22526 EXTENSION SPRING - 48 in.
	TCU15882 BLADE -HIGH LIFT - 72 in.		TCU27010 EXTENSION SPRING - 54 in.
	M142514 BLADE - MULCH - 72 in.		TCU24629 EXTENSION SPRING - 60 in.
3	TCA24880 SPINDLE KIT		TCU27011 EXTENSION SPRING - 72 in.
4	M85699 SEAL	14	TCU18744 GAGE WHEEL
5	M88251 BEARING	15	TCU22374 SPACER
6	M127198 SEAL			
7	TCA20602 IDLER			
	TCU29427 SPACER			