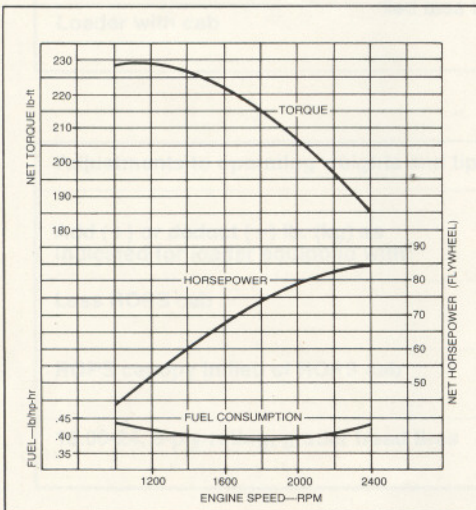




JD444 LOADER



ENGINE PERFORMANCE



FEATURES

- 85 SAE net hp (90.4 DIN-PS)
- 4-wheel drive
- 1½ cu. yd. general purpose, 3 cu. yd. light materials, or 1½ cu. yd. multipurpose bucket
- Twin-turbine torque converter with Power Shift transmission. 4 speeds forward, 2 reverse
- Power steering. Articulated frame
- 4-wheel wet-disk power brakes and parking brake
- Inboard planetary final drives
- Single-lever loader control w/automatic return to dig
- Brake-actuated transmission disconnect
- Roll-over protective structure (ROPS) canopy

ADD VERSATILITY WITH:

Backhoe

JD444 LOADER SPECIFICATIONS

(Specifications and design subject to change without notice. Wherever applicable, specifications are in accordance with ICED and SAE Standards. Except where otherwise noted, specifications are based on a machine equipped with all standard equipment. 15.5-25, 8-ply loader-tread tires, ROPS cab, full fuel tank, and 175 lb. (79.4 kg) operator.)

Power (@ 2400 engine rpm):	SAE	DIN
Gross	95 hp (70.8 kW*)	
Net	85 hp (63.4 kW)	90.4 PS

Net engine flywheel power is for an engine equipped with fan, air cleaner, water pump, lubricating oil pump, fuel pump, alternator, and muffler. Gross engine power is without fan. Flywheel power ratings are under SAE standard conditions of 500-ft. altitude and 85° F. temperature and DIN 70 020 standard conditions of 760 mm Hg barometer (sea level) and 20° C. temperature. No derating is required up to 5000 ft. (1524 m) altitude.

*In the International System of Units (SI), power is expressed in kilowatts (kW).

Engine: John Deere diesel, vertical 6-cylinder, 4-stroke

Bore and stroke	4.02x4.33 in. (102x110 mm)
Piston displacement	.329 cu. in. (5391 cm ³)
Compression ratio	16.7 to 1
Maximum torque @ 1400 rpm:	228 lb-ft (309 Nm) (31.5 kg-m)
NACC or AMA (U.S. Tax) horsepower	38.6
Lubrication	Pressure system w/full-flow filter
Cooling	Pressurized w/thermostat and controlled bypass
Fan	Blower
Air cleaner w/restriction indicator	Dry
Electrical system	12-volt w/alternator
Batteries (two 6-volt)	Reserve capacity: 420 minutes

Torque Converter

Type	Twin-turbine
Torque multiplication	5.44 to 1

Transmission Power Shift planetary

Forward Speeds	mph	km/h
1	0-2.8	0-4.5
2	2.8-6.5	4.5-10.5
3	0-10.7	0-17.2
4	10.7-22.5	17.2-36.2

Reverse Speeds

1	0.3-8	0-6.1
2	3.8-8.5	6.1-13.7

Note: Shift from 1st to 2nd and 3rd to 4th is automatic.

Differentials:
Front and rear Standard

Drive Axles Inboard-mounted planetary gears to each wheel. Front axle fixed. Rear axle oscillates 22-degree total (13.5 inches (343 mm) vertical travel at center of tire).

Brakes:
Service Power actuated. 4-wheel, inboard-mounted wet disk. Foot-operated by either right or left pedal.
Parking 10x1.5 inch (254x38 mm) expanding shoe on transmission output shaft. Adjustable, hand-operated, with warning light and buzzer.

Steering Full power steering. Frame articulated 80 degrees by two hydraulic cylinders. Turning radius of 13 feet 10 inches (4.22m).

Hydraulic Systems:
Loader functions Independent engine-driven vane pump delivers 39.5 gpm (149.5 l/min) at 600 psi (41.4 bar) (42.2 kg/cm²) and 2400 engine rpm.
2250 psi (155 bar) (158.2 kg/cm²) relief valve pressure setting.
Control Single-lever, dual hydraulic valve
Optional triple hydraulic valve with separate lever.
Steering and brakes Engine-driven, 8-piston, variable-displacement pump delivers 26.0 gpm (98.4 l/min) at 2200 engine rpm and 2000 psi (137.9 bar) (140.6 kg/cm²). Maximum system pressure is 2400 psi (165.5 bar) (168.7 kg/cm²).

Hydraulic Cylinders:	Bore	Stroke
Boom, two	5.25 in. (133 mm)	22.26 in. (565 mm)
Bucket, one	5.25 in. (133 mm)	25.28 in. (642 mm)
Cylinder rods	Ground, heat-treated, chrome-nickel-plated, polished	
Boom and bucket cylinder rods	2.25 in. (57 mm) dia.	

Tires:
15.5-25, 8-ply-rating, loader tread
15.5-25, 12-ply-rating, loader tread
13.00-24, 8-ply-rating, grader tread

Wheel Treads:
Front and rear70 in. (1.78 m)

Capacities	U.S.	Liters
Cooling system	.32 qt.	30.3
Fuel tank	40 gal.	151.4
Crankcase	.11 qt.	10.4
Crankcase, including filter	.12 qt.	11.4
Transmission case and filters	.40 qt.	37.9
Front and rear differential	.17 qt.	16.1
Loader hydraulic sump	.52 qt.	49.2

Additional Standard Equipment:

Adjustable cushioned seat
Front fenders
Gauges:
Transmission oil temperature
Transmission oil pressure
Fuel
Coolant temperature
Engine oil pressure
Electric hourmeter
Voltmeter
Loader hydraulic system indicator
Key switch
Pushbutton safety start
Cigarette lighter
Parking brake warning light and buzzer
Transistorized voltage regulator
Instrument panel cover w/lock
Lights, driving
Horn
Fuel filter
Automatic return to dig
Vertical muffler w/rain cap
Rear bottom guard
Hand grips
Fixed drawbar
ROPS canopy and seat belt
Antifreeze
Precleaner
Ether starting aid

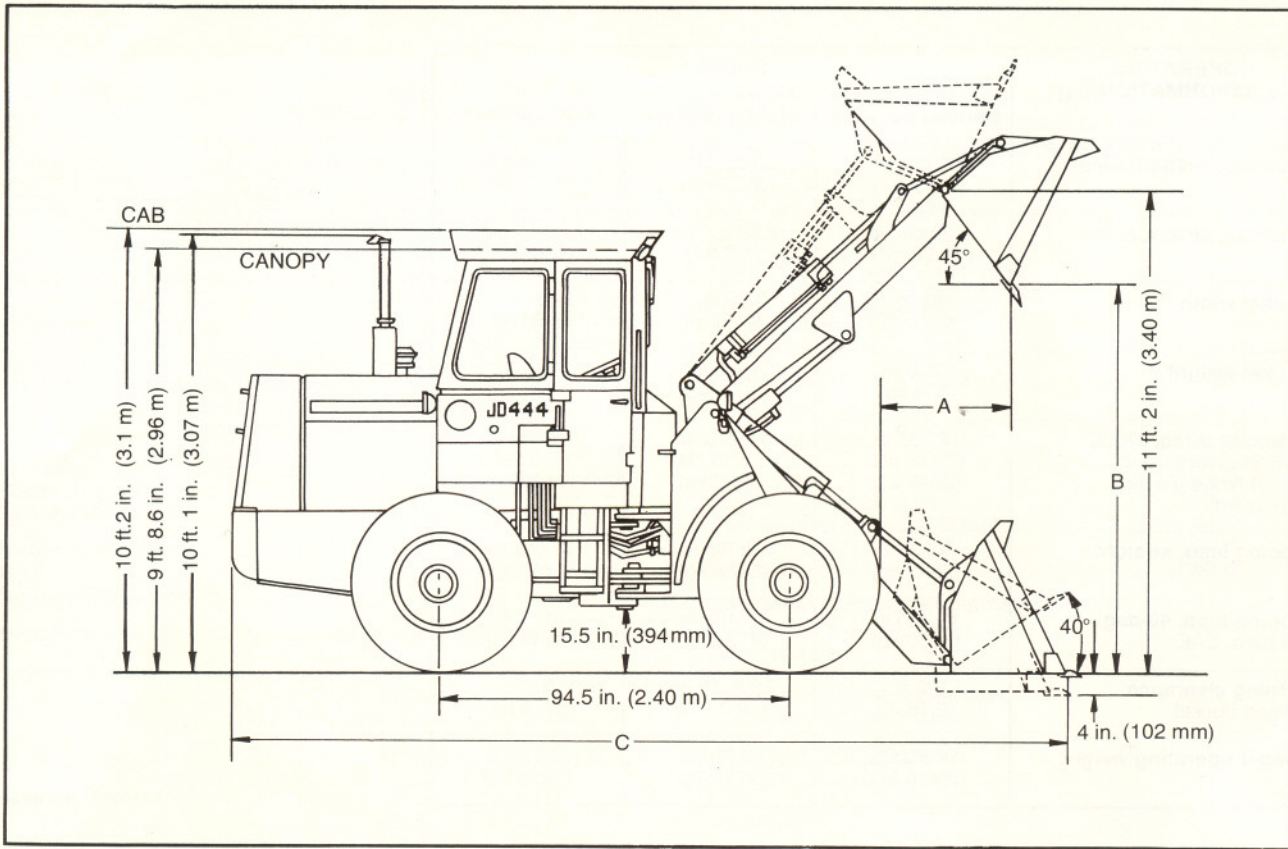
JD444 LOADER OPERATING INFORMATION

OPERATING INFORMATION	BUCKET		
	General purpose	Light materials	Multipurpose
Capacity, heaped, SAE	1½ cu. yd. (1.15 m ³)	3 cu. yd. (2.29 m ³)	1½ cu. yd. (1.15 m ³)
Capacity, struck, SAE	1.22 cu. yd. (0.93 m ³)	2.49 cu. yd. (1.9 m ³)	1.22 cu. yd. (0.93 m ³)
Bucket width	88 in. (2.23 m)	96 in. (2.44 m)	88 in. (2.23 m)
Bucket weight	1200 lb. (544 kg)	1920 lb. (871 kg)	2295 lb. (1041 kg)
Breakout force, J732C SAE Standard using bucket hinge pin as pivot point	17,735 lb. (79.49 kN) (8045 kg)	11,770 lb. (52.26 kN) (5339 kg)	15,100 lb. (67.68 kN) (6849 kg)
Tipping load, straight	12,835 lb. (5822 kg)	12,095 lb. (5486 kg)	10,690 lb. (4849 kg)
Tipping load, 40-deg. full turn, SAE	11,145 lb. (5055 kg)	10,405 lb. (4720 kg)	9140 lb. (4146 kg)
Turning clearance, outside bucket	32 ft. (9.76 m)	32 ft. 10 in. (10.02 m)	32 ft. (9.76 m)
Loader operating weight	18,560 lb. (8419 kg)	19,280 lb. (8745 kg)	19,655 lb. (8916 kg)

Maximum recommended material weight, lb. per cu. yd. (kg/m ³)			
All standard equipment and 15.5-25, 8-ply-rating tires	1½ cu. yd. (1.15 m ³) General purpose	3 cu. yd. (2.29 m ³) Light materials	1½ cu. yd. (1.15 m ³) Multipurpose
Loader less cab or canopy	3040 (1803)	1410 (836)	2469 (1464)
Loader with canopy	3190 (1891)	1485 (881)	2605 (1545)
Loader with cab	3270 (1940)	1525 (904)	2680 (1590)

Adjustments to operating weights and tipping loads:			
Add (+) or deduct (-) lb. (kg) as indicated for loader equipped with:	Loader Operating Weight	Tipping Load Straight	Tipping Load, 40-deg. Full Turn, SAE
Less ROPS cab	-950 lb. (431 kg)	-850 lb. (386 kg)	-785 lb. (356 kg)
ROPS canopy in lieu of ROPS cab	-320 lb. (145 kg)	-310 lb. (141 kg)	-280 lb. (127 kg)
13.00-24, 8-ply-rating, grader tread tires	-380 lb. (172 kg)	-245 lb. (111 kg)	-215 lb. (98 kg)

JD444 LOADER DIMENSIONS



Special Equipment:

- ROPS cab and seat belt
- ROPS quiet cab
- Work lights
- Reverse warning alarm
- Triple loader hydraulic valve
- Bucket teeth
- Engine coolant heater
- Splash guard for fenders
- Center and front bottom guard
- License plate bracket
- Defroster fan
- Automatic boom height control
- SMV emblem
- Auxiliary cutting edges
- Engine side shields
- Heater
- Flashing and turn signal lights
- Rear axle disconnect
- No-Spin front differential
- Auxiliary spill guard

BUCKETS	DIMENSIONS		
	A	B	C
1½ cu. yd.	35.2 in. (894 mm)	8 ft. 11 in. (2.72 m)	19 ft. (5.80 m)
3 cu. yd.	44.1 in. (1120 mm)	8 ft. 2.1 in. (2.49 m)	20 ft. 1 in. (6.12 m)
1½ cu. yd. multipurpose	35.15 in. (893 mm)	8 ft. 3 in. (2.51 m)	19 ft. 11.3 in. (6.08 m)