

TRACK FELLER BUNCHERS

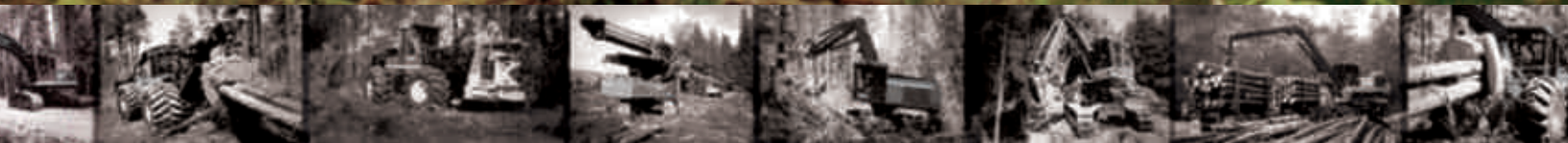
853J 903J 953J

FULL TREE SYSTEM ▶

HARVESTING ▼

TRANSPORTING

LOADING





PURPOSE-BUILT FOR ONE PURPOSE.

The John Deere 853J, 903J and 953J Feller Bunchers are built with the power and structural strength to handle whatever the woods can throw at them.

FULL TREE SYSTEM

HARVESTING

TRANSPORTING

LOADING



Full Tree System—No one offers the extensive product line, dealer network and tough, purpose-built machines of John Deere.



	853J	903J	953J
John Deere 6081H Engine Power	294 gross hp 219 kW	294 gross hp 219 kW	294 gross hp 219 kW
Feller Buncher Reach	27 ft 5 in 8,4 m w/FS22 Saw	27 ft 5 in 8,4 m w/FS22 Saw	28 ft 6 in 8,7 m w/FS24 Saw
Standard Operating Weight less attachment	58,810 lb 26 670 kg	63,340 lb 28 725 kg	68,900 lb 31 245 kg
Tractive Effort	55,700 lbf 248 kN	74,300 lbf 331 kN	74,300 lbf 331 kN

The J-Series feller bunchers are perfectly suited to take on the demands of high-volume, 24-hour logging operations, whatever the application. They're highly versatile, with long reach, impressive payload capabilities and increased swing torque to put big wood in its place. Plus, their outstanding tractive effort will get them in and out of places most men fear to tread.

Even more impressive is the new 294-hp engine. Kick your productivity numbers in the tail with increased horsepower and faster cycle times. The new engine intuitively finds that sweet spot in the power bulge between RPMs and horsepower to work more efficiently. The J-Series feller bunchers are quality built to work and that's just what they do.

LET'S KICK THE TRACKS.

TRACK FELLER BUNCHERS

853J 903J 953J

Superior reach of the boom doesn't come at the expense of its strength. The main and stick booms have sealed bushings at all pivot points to increase service life.

Best-in-class saw recovery speed, which is up to 50% greater than prior configuration.

The Total Machine Control™ system allows the operator to manage the control of the hydraulics, engine, propel, swing and boom functions.



Best-in-class cab is the largest, most comfortable in the industry with the best visibility to maximize productivity. Cab is well insulated and pressurized to reduce noise levels and operator fatigue.

Innovative design positions engine and hydraulic pump at a 35° angle for access to both sides of the engine and walk-through access to the entire compartment for best-in-class serviceability.

6081H John Deere diesel engine offers best-in-class multi-functioning with 294 hard-working hp standard.

Heavily guarded undercarriage with 29 inches (737 mm) of ground clearance and ramp angles to glide over most obstacles. High tractive effort-to-weight ratio with low ground pressure.

Remote mounted, TMC controlled, variable speed cooling fan assembly reduces fuel consumption and offers a full reversing fan to blow out snow or leaf build-up.

POWER UNDER THE HOOD.

Feel the power and productivity boost with the new 294-hp engine and a cab that makes working hard more comfortable.

Your productivity depends on how many trees you can get on the ground. The new engine gets the most out of your feller buncher while doing less. The power bulge automatically backs down RPMs to access extra power for enhanced multi-functioning and improved cycle times. The recovery speed of the saw is dramatically increased as well, so you can fell more trees in less time.

At John Deere, we are committed to building the most innovative cabs in the industry. The cab-ahead design of the J-Series feller bunchers positions the operator forward for a perfect view from the ground to the treetops. The Total Machine Control™ (TMC) monitor is placed for at-a-glance viewing so the operator can focus on the job at hand. Vibration and noise levels are minimized by the well-insulated and pressurized cab to take the stress out of long hours.



The TMC system allows the operator to manage the control of the hydraulics, engine, propel, swing and boom functions. Speed and sensitivity are adjustable for up to seven operators.

Spacious cab features well-designed joystick controls and low-effort buttons with a deluxe knee-action seat. There's plenty of storage space and stereo system to make time fly.



Isolation mounting and low restriction mufflers keep the engine quiet while performing at full tilt.

- The load-sensing hydraulic system enhances operator control and matches hydraulic output to engine power for maximum performance.
- The common rail fuel injection system meets the demands of travel and production. The steep torque rise makes load-starting easier, gives better low-speed driveability and superior lugging power.
- The 360-degree continuous rotation swing drive has two bi-directional piston swing motors with double-reduction planetary gearboxes to produce more torque.

RELIABILITY YOU CAN DEPEND ON.

Unequaled in upper body strength and durability, with forward-thinking service access, the J-Series feller bunchers keep you working.

The 853J, 903J and 953J feller bunchers are built to withstand the rigors of high-production logging operations. The superior reach of these booms doesn't come at the expense of their strength. The main and stick booms have sealed bushings at all pivot points to increase service life. TMC constantly monitors vital machine functions and provides operators an audible and visual warning of critical system and component status so immediate action can be taken to prevent expensive downtime.

With the enclosure roof hydraulically raised, the entire engine compartment is fully accessible. An innovative engine and a hydraulic pump positioned at a 35-degree angle allow access to both sides of the engine for even easier periodic maintenance. It creates more space for the anti-skid walkway that runs through the entire compartment, for better access and quick turnaround.

With two swing drives, loading is distributed, reducing wear and increasing long-term durability.

Two heavily guarded, highwalker forestry undercarriages are available, with 29 inches (737 mm) of ground clearance and ramp angles to glide over most obstacles.

Hose routing enables smooth flow through the few large lines down the boom, with less heat build-up and more durability.





The attachment valve is located at the end of the stick boom. This reduces the number of hoses down the length of the boom and makes changing attachments simple.



Patented offset disc saw blade and one-piece rotatable teeth, featured on all four heads, reduce binding. Integral tooth holders avoid the problem of bolt-on holder designs for the most reliable tooth system in the industry.

FELLING HEADS ABOVE THE REST.

Highly versatile machines featuring standard high wrist torque heads for secure tree control or optional high-rotation versions to reduce travel.

The FS22 head, standard on the 853J and 903J, eliminates the side discharge assembly so it can be easily maneuvered in dense stands with an accumulation pocket capacity of 4.1 sq. ft. (0,38 m²). The wide throat opening makes it easier to get into position, while the patented low velocity front discharge system deflects chips and debris away from the machine.

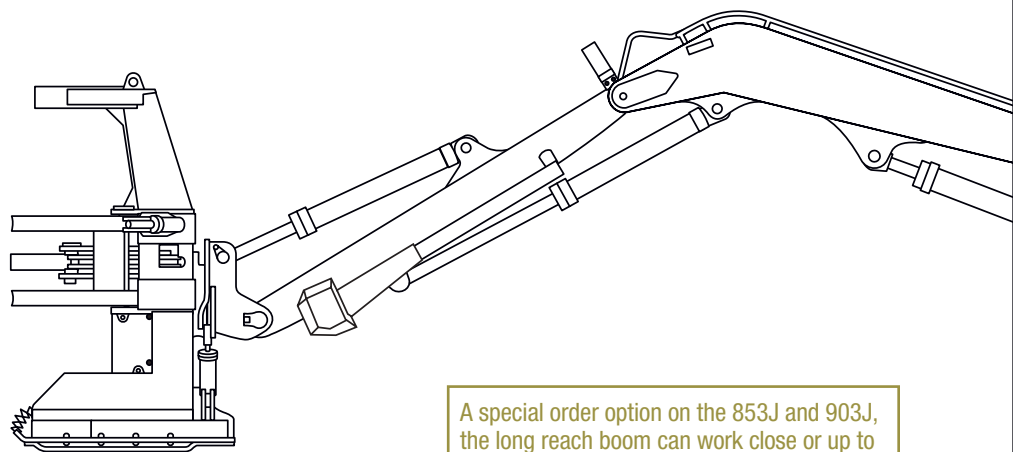
Designed to handle larger trees, the FS24 felling head comes standard on the 953J. A 24-in. (610 mm) cutting capacity and center pocket with 4.8 sq. ft. (0,45 m²) accumulation capabilities maximize each bunch. Standing tall at 12-ft. (3,7 m) the FS24's center post and horn secure tall trees to avoid stem breakage.



Optional High-Rotation Felling Heads for the 853J and 903J

High rotation enables the operator to cut more wood from one position, reducing the number of bunches, so the skidder can take a full load from one bunch. Travel is reduced for both the feller buncher and the skidder for decreased ground disturbance.

- FG22—Optional on standard boom. Cutting Capacity: 23.25 in. (590 mm). Accumulating Capacity: 5.0 sq. ft. (0,46 m²)
- FG18—Optional on the long boom. Cutting Capacity: 21.5 in. (546 mm). Accumulating Capacity: 4.53 sq. ft. (0,42 m²)



A special order option on the 853J and 903J, the long reach boom can work close or up to 32 ft. 11 in. (10,0 m) at full reach, reducing machine travel. Also makes it easier to build higher piles for one-pass pick up.

TAKE THE BURDEN OUT OF DAILY MAINTENANCE.

Easy accessibility to major service points makes daily maintenance a quick turnaround so you can get back to felling and bunching.

It's a fact of life for loggers—checking oil, fuel and fluids every day before you get into the real work. We designed the J-Series feller bunchers to make daily maintenance chores faster. Checkpoints are easily reached through lockable, swing-out doors and the toolbox is within easy reach at ground level, too.

The high-capacity cooling system features an oversized radiator with a large, swing-out hydraulic oil cooler, which makes it a breeze to clean out debris. An added feature is the remote mounted, variable speed cooling fan assembly. This unique cooling package reduces fuel consumption and offers a full reversing fan to blow out snow or leaf build-up.



The new 294-hp engine not only gives you all the power you need, as well as reliability, but it runs at lower RPMs for improved fuel economy.

Rest assured that your purpose-built John Deere equipment is supported by the most extensive dealer network in the industry, with unsurpassed parts availability. That's our promise.





OPERATOR'S STATION

12V power point
 Air conditioner (R134a refrigerant)
 AM-FM stereo cassette radio, digital tuning
 Fire extinguisher, 10 lb
 Floor mat
 Forestry cab with integral ROPS, FOPS, and OPS protective structures
 Headliner
 Heater, 40,000 BTU; Cooling, 21,000 BTU
 Horn
 Interior light
 Lockable cab door
 Low-effort controls
 Operator manual storage
 Reverse-slope front window
 Rotary throttle control
 Seat armrest height adjustment
 Seat backrest angle adjustment
 Seat belt, 3-in wide
 Seat, fabric-covered, deluxe knee-action suspension
 Seat, independent adjustments to control levers and propel pedals
 Seat suspension weight adjustment
 Secondary exits (rear cab and treetop windows)
 Tinted polycarbonate windows
 TMC display
 Treetop window

TOTAL MACHINE CONTROL SYSTEM (TMC)

Controls engine, upper, lower and boom functions
 Driver-specific parameters for seven operator and two factory settings
 Alarm warning system
 Gauge and indicator light information displayed on graphic screen:

- Engine coolant temperature
- Hydraulic oil temperature
- System voltage
- Engine rpm
- Sawhead rpm
- Fuel level
- Hourmeter
- Saw on
- Hydraulics on
- Travel speed
- Swing brake on/off
- Enclosure open
- Reversing fan
- Various engine alarms

STANDARD EQUIPMENT

Engine
 John Deere 6081H
 Antifreeze
 Electric fuel shut off
 Engine compartment service lights (3)
 Fuel filters, dual stage with water separator
 High-pressure common fuel rail system with electronic control
 Isolation-mounted engine
 Muffler, low restriction
 Oil drain shutoff for spill-resistant oil changes
 Oil filter, full flow, top load element type
 Oil to water engine oil cooler, full flow

Hydraulic System

Fill-through hand pump with filter
 Hydraulic filter restriction indicator
 Hydraulic reservoir low oil level indicator
 Oil cooler, heavy-duty

Undercarriage

Heavy-duty one-piece purpose-built forestry undercarriage frame
 Propel drives: Fully enclosed propel-drive motors/
 Motion warning alarm / Planetary
 Tow hooks, front and rear
 Track chain, 8.0-in 203,2 mm pitch heavy-duty (853 only)
 Track chain, 8.5-in 216,0 mm pitch heavy-duty (903J & 953J)
 Track guides, full length, integral
 Track shoes, 24-in 610 mm double-bar grouser, heavy-duty, open center

Upperstructure

Electrohydraulic operated enclosure
 Integral forestry guarding
 Lockable enclosure doors
 Toolbox

Front

Heavy-duty box-constructed boom and arm
 Purpose-built, specialized geometry for maximum cutting sweep
 Remote lubrication for boom-to-arm pin
 Sealed pins and bushings

OPTIONAL EQUIPMENT

Hydraulic System

Adaptable to: Harvesting/processing heads

Hydraulic reservoir heater

Undercarriage – 853J

With standard 8.0-in pitch track chain:

Track shoes, 24-in 610 mm single-bar grouser, clipped corner, heavy-duty, open center
 Track shoes, 28-in 710 mm single-bar grouser, clipped corner, heavy-duty, open center
 Track shoes, 30-in 760 mm double-bar grouser, heavy-duty, open center
 Track shoes, 36-in 914 mm triple-bar grouser, heavy-duty (require optional top rollers in lieu of slides)

Undercarriage – 903J & 953J

With standard 8.5-in pitch track chain:

Track shoes, 24-in 610 mm single-bar grouser, clipped corner, heavy-duty, open center
 Track shoes, 28-in 710 mm single-bar grouser, clipped corner, heavy-duty, open center
 Track shoes, 30-in 760 mm double-bar grouser, heavy-duty, open center
 Track shoes, 36-in 914 mm triple-bar grouser, heavy-duty (require optional top rollers in lieu of slides)

Upperstructure

Automatic fire-suppression system

Front

Automatic grease lubrication system for carrier and boom set, except felling head, with 10-lb reservoir

Felling Heads

Optional on 853J & 903J:

FG18: 18-in 457 mm high-rotation disc saw, mounted on optional long boom

FG22: 22-in 559 mm high-rotation disc saw, on standard boom

Optional on 953J only:

FS22: 22-in 559 mm continuous disc saw

Wear Tech™ abrasion-resistant material, available on all models

TECHNICAL DATA 853J 903J 953J

ENGINE	853J	903J	953J
Type	John Deere 6081H, Tier II emissions certified, turbocharged, with TMC™	John Deere 6081H, Tier II emissions certified, turbocharged, with TMC™	John Deere 6081H, Tier II emissions certified, turbocharged, with TMC™
Rated power @ 2,000 rpm	275 SAE gross hp 205 kW	275 SAE gross hp 205 kW	275 SAE gross hp 205 kW
Peak power @ 1,900 rpm	294 SAE gross hp 219 kW	294 SAE gross hp 219 kW	294 SAE gross hp 219 kW
Cylinders	6	6	6
Displacement	492 cu in 8,1 L	492 cu in 8,1 L	492 cu in 8,1 L
Maximum net torque @ 1,500 rpm	885 lb-ft 1200 Nm	885 lb-ft 1200 Nm	885 lb-ft 1200 Nm
Air cleaner	Two-stage aspirated air cleaner	Two-stage aspirated air cleaner	Two-stage aspirated air cleaner
Cooling fan	Suction type, hydraulic driven, variable speed with reversing function	Suction type, hydraulic driven, variable speed with reversing function	Suction type, hydraulic driven, variable speed with reversing function

HYDRAULIC SYSTEM	853J	903J	953J
Main pumps	Variable displacement axial piston pump	Variable displacement axial piston pump	Variable displacement axial piston pump
Maximum rated flow	126 gpm 475 L/min	126 gpm 475 L/min	126 gpm 475 L/min
Continuous saw pump	Dedicated axial piston	Dedicated axial piston	Dedicated axial piston
Maximum rated flow	30.2 gpm 114 L/min	30.2 gpm 114 L/min	30.2 gpm 114 L/min
Attachment pump (clamps and wrist)	Dedicated axial piston	Dedicated axial piston	Dedicated axial piston
Maximum rated flow	32 gpm 120 L/min	32 gpm 120 L/min	32 gpm 120 L/min
Oil filtration	Two ten-micron return filters with bypass	Two ten-micron return filters with bypass	Two ten-micron return filters with bypass

CYLINDERS	853J/903J/953J		
	Bore	Rod Diameter	Stroke
Boom (2)	5-in 127 mm	3.5-in 89 mm	44.5-in 1 130 mm
Head tilt	5-in 127 mm	3.0-in 76 mm	44.5-in 1 130 mm
Arm	5-in 127 mm	3.5-in 89 mm	44.5-in 1 130 mm

SWING MECHANISM	853J	903J	953J
Rotation	Continuous 360 degrees	Continuous 360 degrees	Continuous 360 degrees
Swing speed	6.9 rpm (maximum)	6.9 rpm (maximum)	6.0 rpm (maximum)
Swing brake	Sealed wet multi-disc	Sealed wet multi-disc	Sealed wet multi-disc

UNDERCARRIAGE	853J	903J	953J
Track chain pitch	8-in 203 mm	8.5-in 216 mm	8.5-in 216 mm
Carrier slides (per side)	Two bolt-on	Two bolt-on	Two bolt-on
Track rollers (per side)	8 (tractor type)	9 (tractor type)	9 (tractor type)
Track guides	1-in (25 mm) thick high-abrasion-resistant material	1-in (25 mm) thick high-abrasion-resistant material	1-in (25 mm) thick high-abrasion-resistant material
Track adjustment	Hydraulic	Hydraulic	Hydraulic
Travel speed, forward and reverse			
High	0-2.6 mph 0-4.2 km/h	0-2.5 mph 0-4.0 km/h	0-2.5 mph 0-4.0 km/h
Low	0-1.4 mph 0-2.3 km/h	0-1.3 mph 0-2.1 km/h	0-1.3 mph 0-2.1 km/h
Travel brakes	Sealed, wet multi-disc; automatic application; integral with track drive gear boxes	Sealed, wet multi-disc; automatic application; integral with track drive gear boxes	Sealed, wet multi-disc; automatic application; integral with track drive gear boxes
Tractive effort	55,700 lbf 248 kN	74,300 lbf 331 kN	74,300 lbf 331 kN

GROUND PRESSURE DATA	853J	903J	953J
Double grouser, heavy-duty			
24-in 610 mm	9.3 psi 64 kPa	9.3 psi 64 kPa	10.2 psi 71 kPa
30-in 760 mm	7.6 psi 52 kPa	7.6 psi 52 kPa	8.3 psi 58 kPa
Single grouser, clipped corner, heavy-duty			
24-in 610 mm	9.3 psi 64 kPa	9.3 psi 64 kPa	10.2 psi 71 kPa
28-in 710 mm	8.0 psi 55 kPa	8.1 psi 56 kPa	8.9 psi 61 kPa
Triple grouser, heavy-duty			
36-in 914 mm*	6.5 psi 45 kPa	N/A	N/A

*Recommended for soft terrain only.

CAPACITIES

	853J	903J	953J
Fuel tank.....	295 gal 1 117 L	295 gal 1 117 L	295 gal 1 117 L
Cooling system.....	11 gal 42 L	11 gal 42 L	11 gal 42 L
Engine lubrication, including filter.....	29.6 qt 28 L	29.6 qt 28 L	29.6 qt 28 L
Hydraulic reservoir capacity.....	82 gal 311 L	82 gal 311 L	82 gal 311 L
Swing gear box.....	4.6 qt 4,5 L	4.6 qt 4,5 L	4.6 qt 4,5 L
Track drive gear box (each).....	5 qt 4,8 L	5 qt 4,8 L	5 qt 4,8 L

ELECTRICAL SYSTEM

Type.....	24 volt, with 24- to 12-volt converter	24 volt, with 24- to 12-volt converter	24 volt, with 24- to 12-volt converter
Alternator.....	80 amp	80 amp	80 amp
Batteries.....	Dual, heavy-duty, low-maintenance, with automatic disconnect	Dual, heavy-duty, low-maintenance, with automatic disconnect	Dual, heavy-duty, low-maintenance, with automatic disconnect
Work lights.....	8 twin-power halogen lights	8 twin-power halogen lights	8 twin-power halogen lights

OPERATING WEIGHTS

	853J	903J	953J
Approximate operating weight**.....	58,810 lb 26 670 kg	63,340 lb 28 725 kg	68,900 lb 31 245 kg

** Approximate operating weight includes all standard equipment, 925-lb 420 kg half-full fuel tank, all fluids, 175-lb (80 kg) operator, less attachment.

FELLING HEAD INFORMATION

Continuous-type disc saw

FS22 – 22-in 560 mm.....	Standard 7,180 lb 3 257 kg	Standard 7,180 lb 3 257 kg	Optional 7,180 lb 3 257 kg
cutting capacity			
FS24 – 24-in 610 mm.....	N/A	N/A	8,380 lb 3 800 kg
cutting capacity			

Optional 220 degree wrist rotation

FG18 – 21.5-in 546 mm.....	6,650 lb 3 015 kg***	6,650 lb 3 015 kg***	N/A
cutting capacity			
FG22 – 23.3-in 590 mm.....	7,000 lb 3 175 kg	7,000 lb 3 175 kg	N/A
cutting capacity			

*** Only available with extended reach boom

BOOM PERFORMANCE

Maximum Cut Radius (with standard attachment)

With standard boom.....	27 ft 5 in 8,4 m	27 ft 5 in 8,4 m	28 ft 6 in 8,7 m
With extended boom.....	32 ft 11 in 10,0 m	32 ft 11 in 10,0 m	N/A

Minimum Cut Radius (with standard attachment)

With standard boom.....	16 ft 6 in 5,0 m	16 ft 6 in 5,0 m	18 ft 6 in 5,6 m
With extended boom.....	17 ft 8 in 5,4 m	17 ft 8 in 5,4 m	N/A

Lift capacity (bare pin & full reach)

With standard boom.....	14,180 lb 6 430 kg	14,180 lb 6 430 kg	18,000 lb 8 163 kg
With extended boom.....	10,400 lb 4 716 kg	10,400 lb 4 716 kg	N/A

JOHN DEERE 853J, 903J, AND 953J FELLER BUNCHERS

DIMENSIONS	853J	903J	953J
A Overall height			
With skylight.....	12 ft 5 in 3,78 m	12 ft 8 in 3,86 m	12 ft 8 in 3,86 m
Less skylight.....	11 ft 6 in 3,50 m	11 ft 9 in 3,58 m	11 ft 9 in 3,58 m
B Overall track length	14 ft 6 in 4,41 m	15 ft 5 in 4,69 m	15 ft 5 in 4,69 m
C Track length (idler to sprocket center)	11 ft 1 in 3,37 m	11 ft 11 in 3,62 m	11 ft 11 in 3,62 m
D Tail swing (from swing center line)	10 ft 3,00 m	10 ft 3,00 m	10 ft 7 in 3,20 m
E Reach			
Maximum reach			
with FS22, FG22	27 ft 5 in 8,4 m	27 ft 5 in 8,4 m	27 ft 5 in 8,4 m
with FG18 and extended boom	32 ft 11 in 10,0 m	32 ft 11 in 10,0 m	N/A
with FS24	N/A	N/A	28 ft 6 in 8,7 m
Minimum reach			
with FS22, FG22	16 ft 6 in 5,0 m	16 ft 6 in 5,0 m	16 ft 6 in 5,0 m
with FG18 and extended boom	17 ft 8 in 5,4 m	17 ft 8 in 5,4 m	N/A
with FS24	N/A	N/A	18 ft 6 in 5,6 m
F Ground clearance			
Single grouser shoes	29.1 in 739 mm	29.5 in 749 mm	29.5 in 749 mm
Double grouser shoes	27.8 in 705 mm	28.6 in 732 mm	28.6 in 732 mm
Triple grouser shoes.....	27.2 691 mm	N/A	N/A
G Upperstructure width	9 ft 9 in 2,97 m	9 ft 9 in 2,97 m	9 ft 9 in 2,97 m
H Track gauge	8 ft 5 in 2,56 m	8 ft 5 in 2,56 m	8 ft 5 in 2,56 m
I Width over tracks			
with 24-in 610 mm track shoes.....	10 ft 5 in 3,17 m	10 ft 5 in 3,17 m	10 ft 5 in 3,17 m

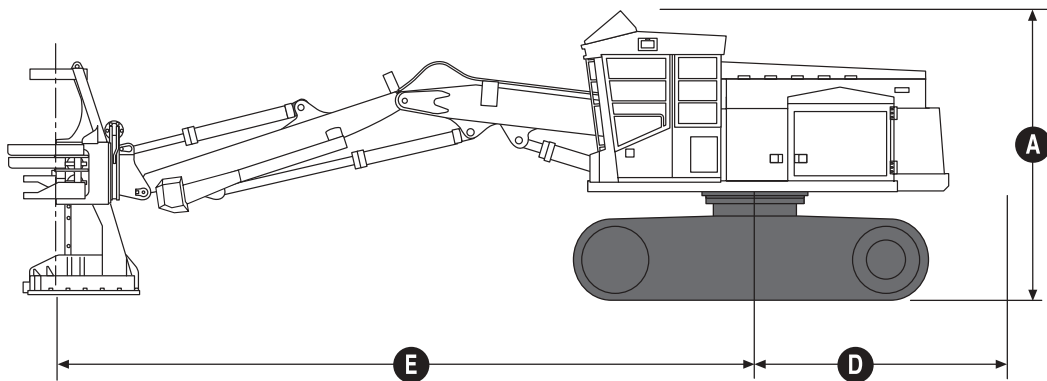
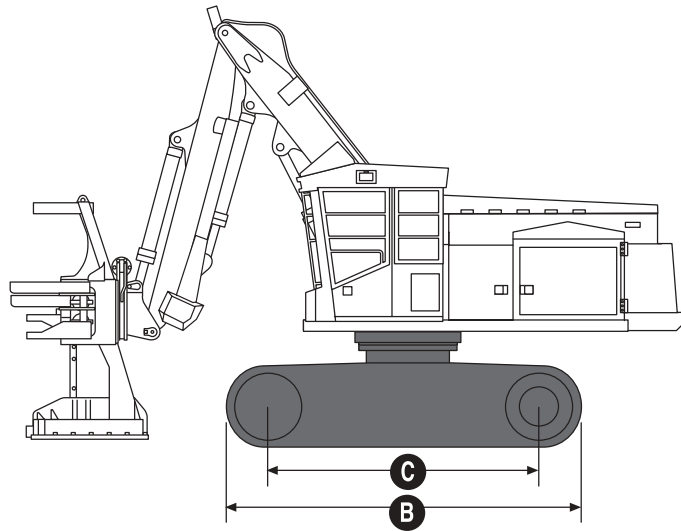
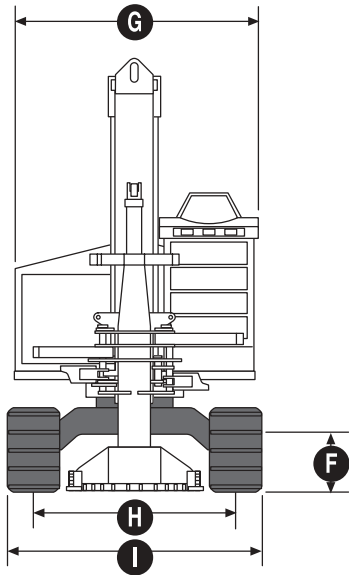
Gross power is without cooling fan. Approximate operating weight includes all standard equipment, 925-lb. (420 kg) half-full fuel tank, all fluids, 175-lb. (80 kg) operator, less attachment.

Wherever possible, specifications are in accordance with SAE standards. Except where otherwise noted, these specifications are based on a machine with standard equipment. Some items shown are optional. E. & O.E. (10M)

Specifications and design subject to change without notice and without incurring any obligation to make such changes on machines manufactured previously.

Photos may show features or options not available in all markets.

JOHN DEERE 853J, 903J, AND 953J FELLER BUNCHERS



TRACK FELLER BUNCHERS

853J 903J 953J



NOTHING RUNS LIKE A DEERE.™

Maybe those words are the reason why almost every other professional logger is a John Deere customer.

They're just five simple words. Yet they have profound impact on your company. Because at their heart they mean equipment that is built forest tough, with greater productivity, more uptime and lower daily operating costs. They mean a dealer network over 380 locations strong, with immediate access to parts and experts that understand your industry. They mean a dedicated lender

in John Deere Credit, committed to helping loggers succeed with competitive financing to enhance cash flow. And they mean a global forestry equipment leader that invests more in R & D than any other manufacturer.

But most of all, these words represent the confidence that comes with over 168 years of heavy equipment experience.

Your world is logging. So is ours. John Deere Forestry. Leading the way, worldwide.

FULL TREE SYSTEM

ADVANCED HARVESTING SYSTEM



PRODUCTIVITY | UPTIME | LOW DAILY OPERATING COSTS

www.JohnDeere.com



JOHN DEERE
Nothing Runs Like A Deer[®]