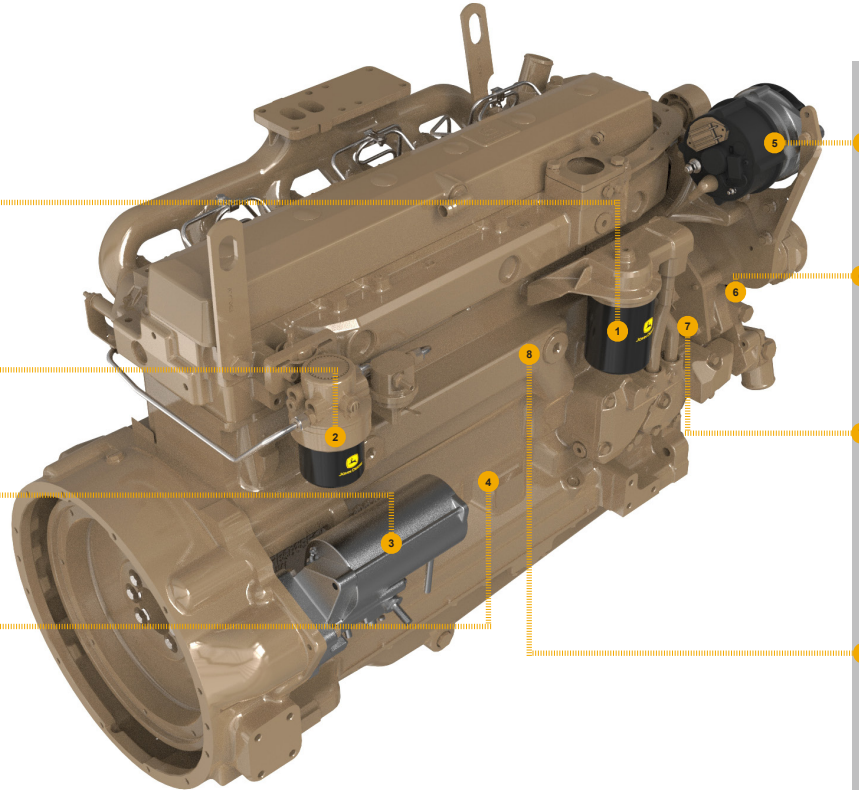


# REPLACEMENT PARTS GUIDE

## 6090WG505 PowerTech PVRb-S 9.0L Wirtgen Kleemann OEM Engine (NR4)



### PRIMARY FUEL FILTER

[RE539465](#) (3533)



### SECONDARY FUEL FILTER

[DZ112919](#) (3533)

Replace 500 Hours of Operation or Every 12 Months.



### CRANKCASE VENT SYSTEM OCV FILTER

[DZ124659](#) (2933)



### STARTER MOTOR

[RE549230](#) (24 V) (3008)



### OIL FILTER

[DZ118283](#) (5946)



Replace 500 Hours of Operation or Every 12 Months.



### ALTERNATOR

[RE558676](#) (BOSCH, 24 V, 100 A) (3156)



### FAN BELT

[DZ118828](#) (2439) (LGTH = 1777 mm)



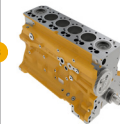
### CRANKSHAFT PULLEY

[R527478](#) (OD = 205 mm) (1321)



### DAMPER

[RE537960](#) (OD = 343 mm) (6801)



### SHORT BLOCK ASSEMBLY

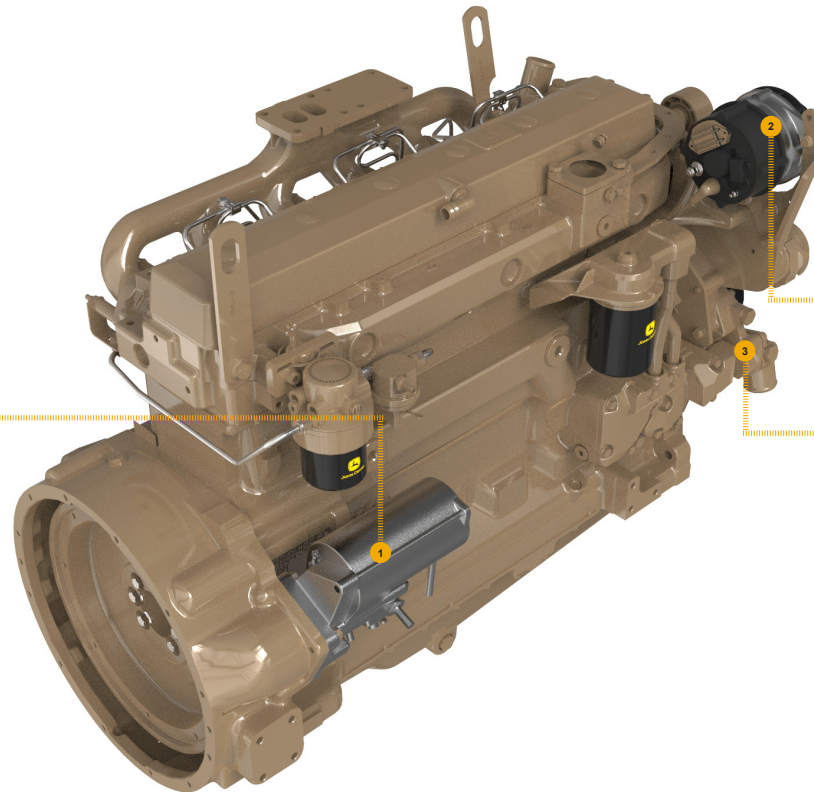
[DZ127940](#) (9901). Also Order Engine Gasket Kit, Oil Dipstick Tube, Crank Damper, Cylinder Head Bolt Kit, 2x H79910 Dowel Pins, Cam Sensor Bushing DZ118217, Set Screw DZ112460, and parts from Short Block Hardware List as needed.



**JOHN DEERE**  
Genuine Parts and Service

# REMAN PARTS GUIDE

## 6090WG505 PowerTech PVRb-S 9.0L Wirtgen Kleemann OEM Engine (NR4)



### STARTER MOTOR

[SE502823](#) (REMAN FOR [RE549230](#))  
(24 V) (3008)



### ALTERNATOR

[SE502563](#) (REMAN FOR [RE558676](#))  
(BOSCH, 24 V, 100 A) (3156)



### OIL PUMP

[SE502546](#) (REMAN FOR [RE538136](#)) (5002)



**JOHN DEERE**  
Genuine Parts and Service