

750C

DOZER

SPECIFICATIONS



FORESTRY EQUIPMENT

JD

Engine

750C

Type.....	John Deere 6068T with altitude-compensating turbocharger
Engine power.....	140 SAE net hp (104 kW) / 148 SAE gross hp (110 kW) @ 2,100 rpm
Cylinders.....	6
Displacement.....	414 cu. in. (6.8 L)
Fuel consumption, typical.....	3.8 to 5.5 gal./hr. (14.4 to 20.8 L/h)
Maximum net torque.....	420 lb.-ft. (570 Nm) @ 1,300 rpm
Lubrication.....	pressure system with full-flow spin-on filter and oil-to-water cooler
Air cleaner.....	dual stage dry type with safety element, precleaner, and underhood restriction indicator
Electrical system.....	24 volt with 45-amp alternator
Cooling fan.....	blower

Transmission

Automatic, dual-path, hydrostatic drive; load sensing feature automatically adjusts speed and power to match changing load conditions; each individually controlled track is powered by a variable displacement piston pump and motor combination; travel speeds (forward and reverse) infinite to 6.8 mph (0 to 11 km/h); ground-speed selection buttons on single-lever steering and direction control; independently selectable reverse speed ratios 80%, 100%, 115%, or 130% of forward ground speed; decelerator pedal controls ground speed to dead stop

Final Drives

Double-reduction, planetary final drives transfer torque loads over three gear sets; mounted independently of track frames and dozer push frames for isolation from shock loads

Steering

Single-lever steering, speed, and direction control, and counterrotation; full power turns and infinitely variable track speeds provide unlimited maneuverability and optimum control; hydrostatic steering eliminates steering clutches and brakes

Brakes

Hydrostatic (dynamic) braking stops machine when the direction/steering control lever is moved to neutral, the decelerator is depressed to the end of travel, or the brake pedal is depressed

Automatic Parking Brake

Exclusive safety feature engages wet, multiple-disc brakes whenever the engine stops, whenever the operator applies the brake pedal, or whenever the park lock lever is placed in the start position; machine cannot be driven with brake applied, reducing wear out or need for adjustment

Hydraulic System

System type.....	open center
Pressure, system relief.....	2,000 psi (13 790 kPa)
Pump type.....	gear
Flow.....	38 gpm (144 L/min.) @ 2,100 rpm
Filter, return oil.....	10 micron
Control.....	standard – T-bar, two function / with All-Hydraulic (PAT) dozer blade – T-bar, three function
Cylinders.....	heat-treated, chrome-plated, polished cylinder rods with hardened steel (replaceable bushings) pivot pins
Cooling.....	convective oil sump

Capacities (U.S.)

750C LT

750C WT

750C LGP

Fuel tank with lockable cap.....	74 gal. (280 L)	74 gal. (280 L)	74 gal. (280 L)
Cooling system with recovery tank.....	7 gal. (26.5 L)	7 gal. (26.5 L)	7 gal. (26.5 L)
Engine oil with spin-on filter.....	20 qt. (19 L)	20 qt. (19 L)	20 qt. (19 L)
Final drive (each)			
1st reduction.....	6.25 gal. (23.6 L)	6.25 gal. (23.6 L)	7.35 gal. (27.8 L)
2nd reduction.....	3.25 gal. (12.3 L)	3.25 gal. (12.3 L)	3.25 gal. (12.3 L)
Hydraulic system reservoir.....	18 gal. (68 L)	18 gal. (68 L)	18 gal. (68 L)
Hydrostatic transmission reservoir.....	22 gal. (83.3 L)	22 gal. (83.3 L)	22 gal. (83.3 L)

Undercarriage

Seven-roller track frame with front and rear track guides and sprocket guard; John Deere Dura-Trax™ features deep-heat-treated, sealed, and lubricated track links and through-hardened, sealed, and lubricated rollers for maximum wear resistance; sprockets are segmented; extreme-duty shoes are available (on some models) for severe applications

Chain.....	sealed and lubed	sealed and lubed	sealed and lubed
Grouser width.....	22 in. (560 mm)	34 in. (865 mm)	34 in. (865 mm)
Shoes, each side.....	40	40	42
Ground contact area.....	4,488 sq. in. (28 955 cm ²)	6,936 sq. in. (44 748 cm ²)	7,446 sq. in. (48 039 cm ²)
Ground pressure.....	7.1 psi (49.0 kPa) Semi-U / 7.5 psi (51.7 kPa) PAT	4.9 psi (33.6 kPa)	4.9 psi (33.9 kPa)
Length of track on ground.....	102 in. (2591 mm)	102 in. (2591 mm)	109.5 in. (2781 mm)
Track gauge, standard.....	74 in. (1880 mm)	74 in. (1880 mm)	82 in. (2083 mm)
Oscillation at front roller.....	8.9 in. (226 mm)	8.9 in. (226 mm)	11 in. (279 mm)
Track rollers each side.....	7	7	7
Track pitch.....	7.5 in. (190 mm)	7.5 in. (190 mm)	7.5 in. (190 mm)

SAE Operating Weights**750C LT****750C WT****750C LGP**

Base weights were computed for units with standard equipment, rollover protective structures, full fuel tanks, and 175-lb. (79 kg) operators.

All-Hydraulic (PAT) Dozer	33,736 lb. (15 335 kg)	N/A	36,576 lb. (16 625 kg)
Semi-U (High Production).....	31,712 lb. (14 415 kg)	33,843 lb. (15 383 kg)	N/A
Straight.....	N/A	33,324 lb. (15 147 kg)	N/A

Refer to the Attachment Guide or see your dealer for details regarding Semi-U (Low Profile), Straight, and Mechanical Angle blades for the 750C LT.

Blade Weights

Includes push beams, trunnion mounts, straight end bits, C-frames, angle and tilt cylinders where applicable.

All-Hydraulic (PAT) Dozer	4,939 lb. (2245 kg)	N/A	5,024 lb. (2284 kg)
Semi-U (High Production).....	4,355 lb. (1980 kg)	4,609 lb. (2095 kg)	N/A
Straight.....	N/A	4,090 lb. (1859 kg)	N/A

Refer to the Attachment Guide or see your dealer for details regarding Semi-U (Low Profile), Straight, and Mechanical Angle blades for the 750C LT.

Blade Capacities

All-Hydraulic (PAT) Dozer	4.60 cu. yd. (3.52 m ³)	N/A	4.84 cu. yd. (3.70 m ³)
Semi-U (High Production).....	5.60 cu. yd. (4.28 m ³)	5.60 cu. yd. (4.28 m ³)	N/A
Straight.....	N/A	3.25 cu. yd. (2.48 m ³)	N/A

Refer to the Attachment Guide or see your dealer for details regarding Semi-U (Low Profile), Straight, and Mechanical Angle blades for the 750C LT.

Optional or Special Equipment

Complete push beam assemblies for straight or semi-U

blades, rakes, Stingers®, etc.	1,700 lb. (773 kg)	1,903 lb. (865 kg)	N/A
Complete PAT dozer C-frame assembly.....	2,834 lb. (1288 kg)	N/A	2,834 lb. (1288 kg)

Tracks – Dura-Trax™ lubricated chain with split master link

Single-bar grousers

22-in. (560 mm) moderate duty.....	5,056 lb. (2298 kg)*	N/A	N/A
22-in. (560 mm) extreme duty.....	5,400 lb. (2455 kg)	N/A	N/A
24-in. (610 mm) moderate duty.....	5,340 lb. (2427 kg)	N/A	N/A
28-in. (710 mm) moderate duty			6,322 lb. (2874 kg)
34-in. (865 mm) moderate duty	6,756 lb. (3070 kg)*		7,093 lb. (3224 kg)*
Swamp shoe – 34-in. (865 mm)	6,366 lb. (2894 kg)		N/A

Cab with pressurizer and heater

Without air conditioner	2,080 lb. (945 kg)	2,080 lb. (945 kg)	2,080 lb. (945 kg)
With air conditioner	256 lb. (116 kg)	256 lb. (116 kg)	256 lb. (116 kg)

Canopy 1,430 lb. (650 kg)* 1,430 lb. (650 kg)* 1,430 lb. (650 kg)*

Rock guard, center section 353 lb. (160 kg) N/A N/A

Drawbar, rigid 154 lb. (70 kg)* 154 lb. (70 kg)* 154 lb. (70 kg)*

Drawbar, extended rigid 282 lb. (128 kg) 282 lb. (128 kg) 282 lb. (128 kg)

Limb risers (canopy and cab)..... 540 lb. (245 kg) 540 lb. (245 kg) 540 lb. (245 kg)

Rear screen (canopy) 75 lb. (34 kg) 75 lb. (34 kg) 75 lb. (34 kg)

Rear screen (cab with air conditioner)..... 110 lb. (50 kg) 110 lb. (50 kg) 110 lb. (50 kg)

Side screens (canopy and cab) 70 lb. (32 kg) 70 lb. (32 kg) 70 lb. (32 kg)

Door and front screens (canopy and cab)..... 200 lb. (91 kg) 200 lb. (91 kg) 200 lb. (91 kg)

Cylinder hose guards 65 lb. (30 kg) 65 lb. (30 kg) 65 lb. (30 kg)

Prescreeener guard 15 lb. (7 kg) 15 lb. (7 kg) 15 lb. (7 kg)

Track cleaner bars, front..... 275 lb. (125 kg) N/A N/A

Track cleaner bars, rear 475 lb. (216 kg) N/A N/A

Tank guard 950 lb. (432 kg) 950 lb. (432 kg) 950 lb. (432 kg)

Lift cylinder guards 120 lb. (55 kg) 120 lb. (55 kg) 120 lb. (55 kg)

Extreme-service bottom guard..... 280 lb. (127 kg) 280 lb. (127 kg) 280 lb. (127 kg)

Heavy-duty transverse case cover with doors 698 lb. (317 kg) 698 lb. (317 kg) 698 lb. (317 kg)

*Included in SAE operating weight.

Dimensions

	A Overall height to roof	Overall height to exhaust stack	B Tread depth with single-bar grousers		Tread depth with swamp shoes	C Ground clearance with grousers (excludes grouser height)*
			<i>Moderate duty</i>	<i>Extreme duty</i>		
750C LT	120.7 in. (3065 mm)	124.6 in. (3165 mm)	2.2 in. (56 mm)	2.7 in. (68 mm)	3.15 in. (80 mm)	14.6 in. (371 mm)
750C WT	120.7 in. (3065 mm)	124.6 in. (3165 mm)	2.2 in. (56 mm)			14.6 in. (371 mm)
750C LGP	120.7 in. (3065 mm)	124.6 in. (3165 mm)	2.2 in. (56 mm)			14.6 in. (371 mm)

*Swamp shoes add 2.6 in. (66 mm).

	D Blade width	E Blade height	F Blade lift height	G Blade digging depth	H Blade tilt (uses tilt jack)	I Overall length with blade	J Overall width with blade angled
--	----------------------	-----------------------	----------------------------	------------------------------	--------------------------------------	------------------------------------	--

750C LT

All-Hydraulic (PAT) Dozer	129.3 in. (3283 mm)	47.0 in. (1193 mm)	35.4 in. (899 mm)	33.4 in. (848 mm)	16.2 in. (413 mm)	195.1 in. (4955 mm)**	118.5 in. (3011 mm)
Semi-U (High Production)	126.6 in. (3216 mm)	50.5 in. (1283 mm)	42.2 in. (1072 mm)	20.2 in. (513 mm)	27.6 in. (700 mm)	197.3 in. (5011 mm)*	N/A

*Optional extended drawbar adds 7 in. (176 mm).

**Optional extended drawbar adds 8.9 in. (223 mm).

750C WT

Semi-U (Low Profile) blade available through Custom Engineering.

Semi-U (High Production)	144.0 in. (3658 mm)	45.0 in. (1143 mm)	42.2 in. (1072 mm)	20.2 in. (513 mm)	37.6 in. (955 mm)	197.3 in. (5011 mm)*	N/A
Straight	132.4 in. (3363 mm)	38.4 in. (976 mm)	42.2 in. (1072 mm)	20.2 in. (513 mm)	34.6 in. (878 mm)	195.1 in. (4956 mm)**	N/A

*Optional extended drawbar adds 7 in. (176 mm).

**Optional extended drawbar adds 8.9 in. (223 mm).

750C LGP

All-Hydraulic (PAT) Dozer	152.0 in. (3861 mm)	45.0 in. (1143 mm)	35.4 in. (899 mm)	33.4 in. (848 mm)	19.1 in. (484 mm)	193.5 in. (4916 mm)**	139.4 in. (3541 mm)
---------------------------------	---------------------	--------------------	-------------------	-------------------	-------------------	-----------------------	---------------------

**Optional extended drawbar adds 8.9 in. (223 mm).

	K Blade angle	L Cut reach	M Width over track	N Cast reach	O Cutting edge angle
--	----------------------	--------------------	---------------------------	---------------------	-----------------------------

750C LT

All-Hydraulic (PAT) Dozer	24 degrees	3.5 in. (89 mm)	96 in. (2438 mm)	12.8 in. (326 mm)	58 degrees
---------------------------------	------------	-----------------	------------------	-------------------	------------

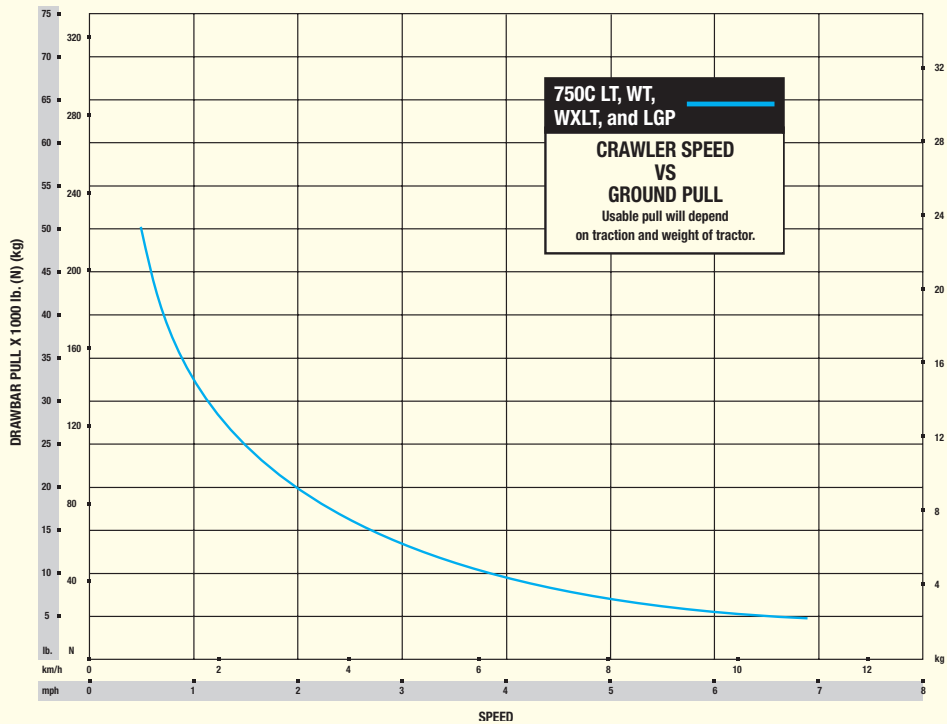
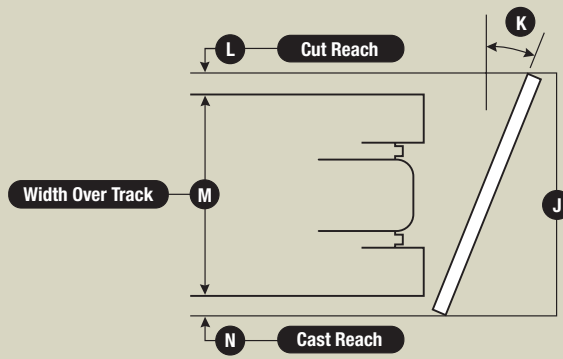
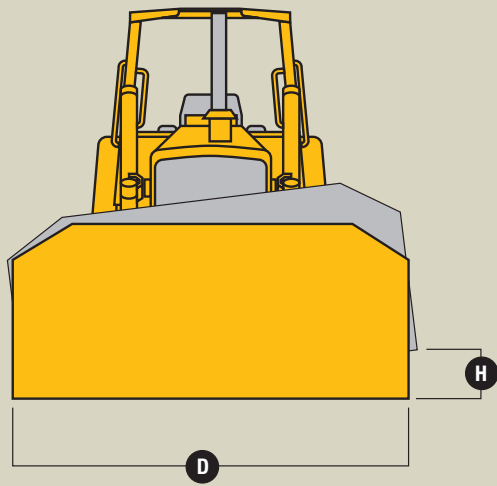
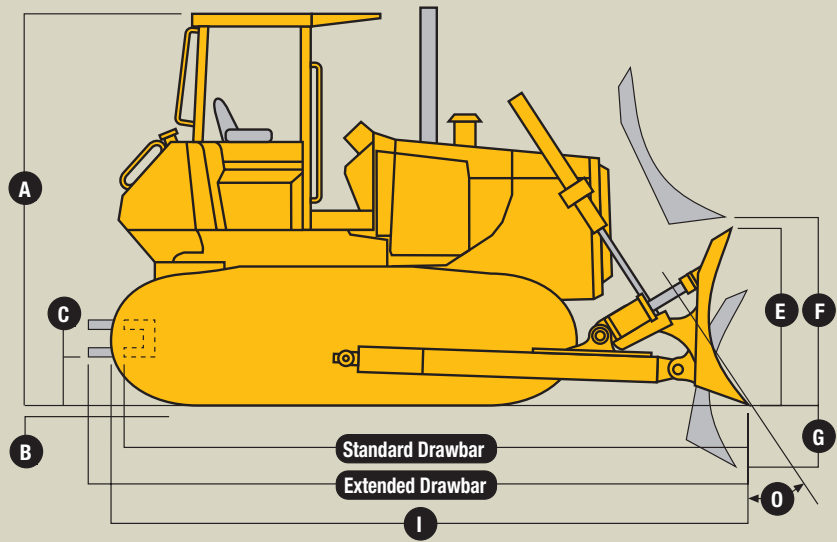
750C LGP

All-Hydraulic (PAT) Dozer	24 degrees	5.7 in. (144 mm)	116 in. (2946 mm)	14.4 in. (366 mm)	60 degrees
---------------------------------	------------	------------------	-------------------	-------------------	------------

Drawbar Pull

750C

Maximum	51,000 lb. (227 kN)
At 1.2 mph (1.9 km/h)	31,800 lb. (141 kN)
At 2.0 mph (3.2 km/h)	20,200 lb. (90 kN)



Additional Equipment

Key: ● Standard equipment ▲ Optional or special equipment

See your John Deere dealer for further information.

LT WT LGP Engine

- ● ● Air cleaner, dual-stage aspirated type
- ● ● Air cleaner restriction indicator
- ● ● Blower fan
- ● ● Coolant recovery tank
- ● ● Electric ether start aid
- ● ● Enclosed safety fan guard (conforms to SAE J1308)
- ● ● Engine coolant -34°F (-37°C)
- ● ● Oil-to-water engine oil cooler
- ● ● Precleaner
- ● ● Spin-on fuel filter
- ● ● Trash-resistant radiator
- ● ● Turbocharger
- ● ● Underhood muffler with vertical exhaust stack
- ● ● Water separator
- ▲ ▲ ▲ Engine coolant heater, 1,000 watts, 120 volts
- ▲ ▲ ▲ Prescreener guard
- ▲ ▲ ▲ Radiator sand screen
- ▲ ▲ ▲ Reversible fan
- ▲ ▲ ▲ Chrome exhaust stack

Power Train

- ● ● Automatic applied, hydrostatic-released park brake, pedal operated
- ● ● Oil-to-air transmission cooler
- ● ● Dual-path hydrostatic transmission
- ● ● Guard, built-in final drive seal
- ● ● Transmission neutral lock with safety start switch
- ● ● Transmission diagnostic test ports
- ▲ ▲ ▲ Remote transmission diagnostic test ports
- ▲ ▲ ▲ Winch drive

Electrical

- ● ● Dual 12-volt low-maintenance batteries, 190-min. reserve capacity, 950 CCA
- ● ● Bypass start safety cover at starter
- ● ● Master electrical disconnect switch, lockable

Hydraulic System

- ● ● Lift cylinders
- ● ● "O" ring face seal fittings
- ● ● Quick-drop hydraulic valve
- ▲ ▲ ● All-Hydraulic (PAT) dozer blade with grille "up-loop" plumbing
- ● ● Two-spool hydraulic system
- ▲ ▲ ▲ Three-spool hydraulic system
- ▲ ▲ ▲ Four-spool hydraulic system
- ▲ ▲ ▲ Auxiliary hydraulic lines to rear
- ▲ ▲ ▲ Oil sampling test kit

Undercarriage

- ● ● Chain guides
- ● ● Front idler and bolt-on sprocket chain guides
- ● ● Sealed and lubricated chain
- ● ● Oscillating track-frame system

LT WT LGP Undercarriage (continued)

- 22-in. (560 mm) moderate-duty single-bar grouser tracks, Dura-Trax™ lubricated chain with split master link
- ▲ 22-in. (560 mm) extreme-duty single-bar grouser tracks, Dura-Trax lubricated chain with split master link
- ▲ 24-in. (610 mm) moderate-duty single-bar grouser tracks, Dura-Trax lubricated chain with split master link
- ▲ 28-in. (710 mm) moderate-duty single-bar grouser tracks, Dura-Trax lubricated chain with split master link
- ● 34-in. (865 mm) moderate-duty single-bar grouser tracks, Dura-Trax lubricated chain with split master link
- ▲ 34-in. (865 mm) swamp shoe tracks, Dura-Trax lubricated chain with split master link*
- ▲ Bolt-on full-length rock guards

Lights

- ● ● Two front driving/working and one rear working halogen, 33,000 candlepower (375 737 lux each)

Operator's Station

- ● ● Built-in diagnostics - Fault code retrieval / Onboard diagnostics for monitors, controller(s), wiring, gauges, sensors, etc.
- ● ● Built-in Operator's Manual storage compartment and manual
- ● ● Modular design canopy (conforms to SAE J1040)
- ▲ ▲ ▲ Cab - Air conditioning, 33,000 Btu* / Fresh air intake heater/pressurizer, 400 CFM, 40,000 Btu/hr. (11.7 kW) (conforms to SAE J1503, J1535D) / Front window and two door windshield wipers/washers
- ● ● Deluxe suspension vinyl seat - Adjustable armrests, thigh support, backrest, height/weight, and forearm (conforms to SAE J899)
- ● ● Deluxe suspension cloth seat
- ● ● Deluxe air suspension vinyl and cloth seat
- ● ● Electronic monitor system with audible and visual warning - Air restriction / Coolant temperature / Engine oil pressure / Ether injection on / Fasten seat belt / Hydraulic filter restriction / Low alternator voltage / Transmission filter restriction / Transmission malfunction / Transmission return to neutral / Transmission temperature
- ● ● Engine rpm digital display (selectable)
- ● ● Floormat
- ● ● Fuel gauge, electric, illuminated
- ● ● Ground-speed decelerator (engine and transmission)

LT WT LGP Operator's Station (continued)

- ● ● Headliner for canopy
- ● ● Horn, electric (conforms to SAE J994, J1446)
- ● ● Hourmeter, electric, illuminated (selectable)
- ● ● Interior-mounted rearview mirror (conforms to SAE J985)
- ● ● Key start switch with electric fuel shutoff
- ● ● Lunch-box storage
- ● ● Parking brake, single-lever activation
- ▲ ▲ ▲ Protection package, full vehicle - Brush screens, heavy-duty / Guards, trunk protection / Limb risers, arched
- ● ● Reverse ratio - user selectable at 80%, 100%, 115%, or 130% of forward speed
- ● ● Seat belt, 3 in. (76 mm), with retractors (conforms to SAE J386)
- ● ● Single-lever steering, direction, and ground-speed control with selectable ground-speed and horn controls integrated in "T" handle
- ● ● Tool storage, lockable
- ● ● Voltmeter digital display (selectable)

Overall Vehicle

- ● ● Front tow hook
- ● ● Heavy-duty, hinged, bar-type grille
- ● ● Perforated engine side shields
- ● ● Rear service doors, lockable
- ● ● Reverse alarm - Switchable to 97 dB(A) or 111 dB(A) (conforms to SAE J994, J1446)
- ● ● Vandal protection - Engine access door / Fuel tank cap / Rear service doors / Instrument panel
- ▲ ▲ ▲ Cupped end bits (except All-Hydraulic [PAT] dozer blades)
- ▲ ▲ ▲ Straight end bits
- ▲ ● All-Hydraulic (PAT) dozer blade (included in SAE operating weight)
- ● Semi-U (High Production) dozer blade (included in SAE operating weight)
- ▲ Straight dozer blade (included in SAE operating weight - see your John Deere dealer for 750C LT application)
- ● ● Tilt cylinder hose protection
- ▲ Blade trash rack
- ▲ ▲ ▲ Environmental fluid drains
- ▲ ▲ ▲ Extended rigid drawbar with pin for pull-type implements
- ▲ ▲ ▲ Heavy-duty transverse case cover
- ▲ ▲ ▲ Perforated hood for trash environments
- ▲ ▲ ▲ Rigid drawbar with pin
- ▲ Trash bars front and rear

Net engine power is with standard equipment including air cleaner, exhaust system, alternator, and cooling fan, at standard conditions per SAE J1349 and DIN 6270B, using No. 2-D fuel at 35 API gravity. No derating is required up to 10,000-ft. (3050 m) altitude. Gross power is without cooling fan.

Also available: winches, fair-leads, log arches, skidding grapples, trash packages, landfill protection packages, cable plows, side booms, field-installed cab for canopy, canopy heater, and fire suppression systems.

Specifications and design subject to change without notice. Wherever applicable, specifications are in accordance with SAE standards. Except where otherwise noted, these specifications are based on units with rollover protective structures, full fuel tanks, 175-lb. (79 kg) operators, and standard equipment; 750C LT unit with 22-in. (560 mm) moderate-duty grousers, rigid drawbar, and Semi-U (High-Production) blade; and 750C WT and LGP units with 34-in. (865 mm) single-bar grousers and rigid drawbars.

