


REPLACEMENT PART GUIDE

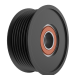
PowerTech 4.5L 4045DFM70 Marine Engine

ALTERNATOR
[RE537146](#) (24V, 50A) (3104)
[RE533653](#) (12V, 95A) (3107)
[RE533654](#) (12V, 120A) (3108)
[DZ114956](#) (12V, 65A) (3109)
[RE533516](#) (12V, 75A) (3111)
[DZ117503](#) (24V, 140A) (3127)
[RE540412](#) (14V, 75A) (3148)
[RE540413](#) (28V, 50A) (3149)



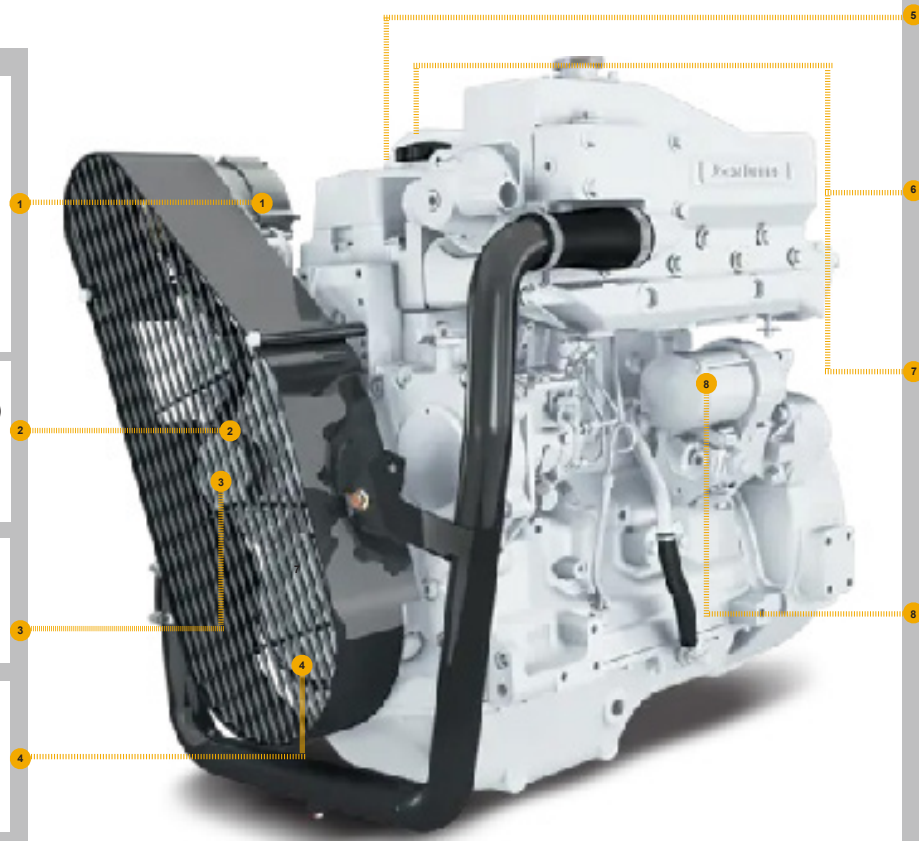

FAN BELT
[R500277](#) (LGTH =1500 mm) (240N) (24BN)
[DZ119515](#) (LGTH =1585 mm) (24CY)
 (24CZ)




FAN PULLEY
[AT211041](#) (OD=77.6 mm) (24BN)
 (24CY) (24CZ) (240N)




CRANKSHAFT PULEY & DAMPER
[R505567](#) (OD=173 mm) (1328)
[R545126](#) (OD=173 mm) (1333)


OIL FILTER
[RE504836](#) (8843) (8863) (8864) (8865)
 250 Hours of Operation or Every 6 Months.




**FUEL FILTER
 PRIMARY FILTER ELEMENT**
[RE521540](#) (8150)
[RE62425](#) (8154)
 500 Hours of Operation or Every 12 Months.



**FUEL FILTER
 SECONDARY FILTER ELEMENT**
[RE520842](#) (35DH)
 500 Hours of Operation or Every 12 Months.



STARTER
[RE70957](#) (12V, 2.5KW) (3006)
[RE540300](#) (12V, 2.7KW) (3007)
[RE52119](#) (12V, 4.2KW) (3008)
[DZ110082](#) (24V, 4KW) (3009)
[RE540302](#) (12V, 2.5KW) (3012)
[RE501150](#) (24V) (3041)
[RE564633](#) (24V) (3090)
[RE536490](#) (12V, 4KW) (30AG)



SHORT BLOCK ASSEMBLY
[RE571271](#)

REMAN PARTS GUIDE

PowerTech 4.5L 4045DFM70 Marine Engine



ALTERNATOR

- [SE501342](#) (REMAN FOR [AH137883](#)) (12V, 95A) (3107)
- [SE501343](#) (REMAN FOR [AH165975](#)) (24V, 120A) (3108)
- [SE501341](#) (REMAN FOR [AT161324](#), [DZ114957](#)) (24V, 45A) (3104)
- [SE501387](#) (REMAN FOR [AT173624](#), [DZ114956](#)) (12V, 65A) (3109) (3111)
- [SE501341](#) (REMAN FOR [AT185696](#), [TY24322](#)) (24V, 45A) (3104)
- [SE501342](#) (REMAN FOR [AT220394](#), [TY24485](#)) (12V, 95A) (3107)
- [SE502626](#) (REMAN FOR [RE533516](#)) (12V, 65A) (3109) (3111)
- [SE502627](#) (REMAN FOR [RE533653](#)) (12V, 95A) (3107)
- [SE502628](#) (REMAN FOR [RE533654](#)) (12V, 120A) (3108)
- [RM100226](#) (REMAN FOR [RE540412](#)) (14V, 75A) (3148)



CYLINDER HEAD

- [SE501579](#) (REMAN FOR [RE57234](#)) (5102)



WATER PUMP

- [SE501951](#) (REMAN FOR [RE504911](#)) (4412) (4444)



CONNECTING ROD

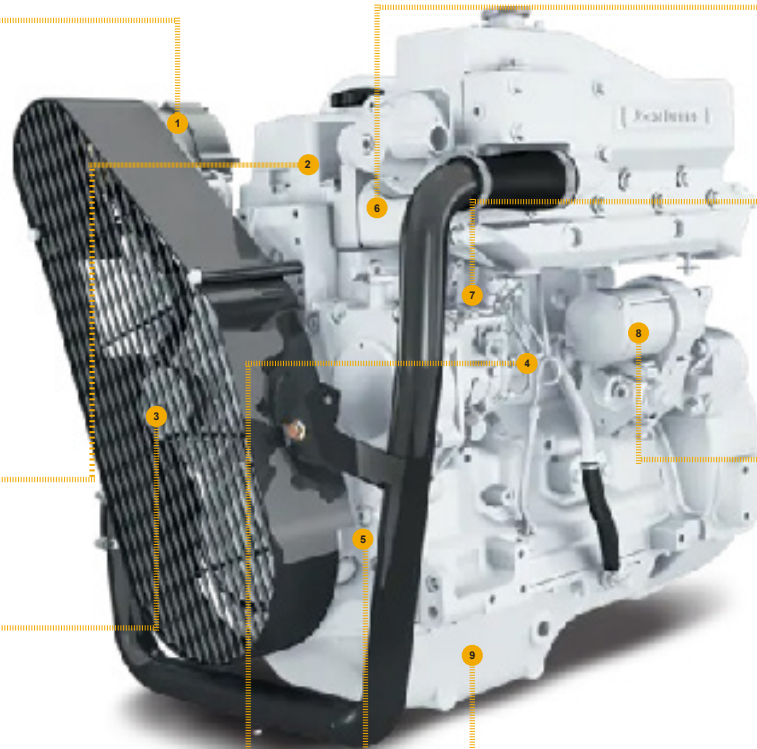
- [SE501096](#) (REMAN FOR [RE500002](#)) (4801) (4833)



COMPLETE BLOCK ASSEMBLY

- [SE501078](#)
- [SE501771](#)

Includes cylinder head with vales and rocker arm assembly Balancer shafts, Includes oil pump assembly, complete gasket kit with front and rear seals.



NOZZLE

- [SE501179](#) (REMAN FOR [RE519569](#)) (167E) (167F) (167H) (167G)
- [SE501102](#) (REMAN FOR [RE60062](#)) (167J) (167K) (4833)



FUEL INJECTION PUMP

- [SE502023](#) (REMAN FOR [RE521301](#)) (167F)



STARTER

- [SE501406](#) (REMAN FOR [RE501150](#)) (24V) (3041)
- [SE501400](#) (REMAN FOR [RE52119](#)) (12V) (3008)
- [SE501402](#) (REMAN FOR [RE540300](#)) (12V, 2.7 KW) (3007)
- [SE501426](#) (REMAN FOR [RE540302](#)) (12V) (3012)
- [SE502733](#) (REMAN FOR [RE564633](#)) (24V) (3090)
- [SE501402](#) (REMAN FOR [RE68470](#) OR [RE540300](#)) (12V, 2.7KW) (3007)
- [SE501403](#) (REMAN FOR [RE70957](#)) (12V) (3006)



OIL PUMP

- [SE501814](#) (REMAN FOR [DZ100057](#)) (5001)



*THIS PART IS NOT AVAILABLE IN ALL COUNTRIES - COMPLETE BLOCK ASSEMBLY. CLICK PART NUMBER TO BUY

*See operator's manual for additional details