

# REPLACEMENT PART GUIDE

## 6135HFM85 PowerTech PT 13.5L OEM Marine Engine (Tier 3)



### ALTERNATOR

[RE551448](#) (14 V, 150 A) (3171)  
[RE551447](#) (28 V, 100 A) (3172)



### FAN PULLEY

[R132175](#) (OD = 300 MM)(2325)  
[R132956](#) (OD = 276 MM) (23BR)  
[R132175](#) (OD = 300 MM) (23BT)



### FAN BELT

[DZ118693](#) (LGTH= 1589 mm) (2462)  
[DZ118858](#) (LGTH= 1945 mm) (2462)  
[N381387](#) (LGTH= 1715 mm) (24AA)  
[DZ118704](#) (LGTH= 1850 mm) (24AB)  
[R500093](#) (LGTH= 1850 mm) (24AB)



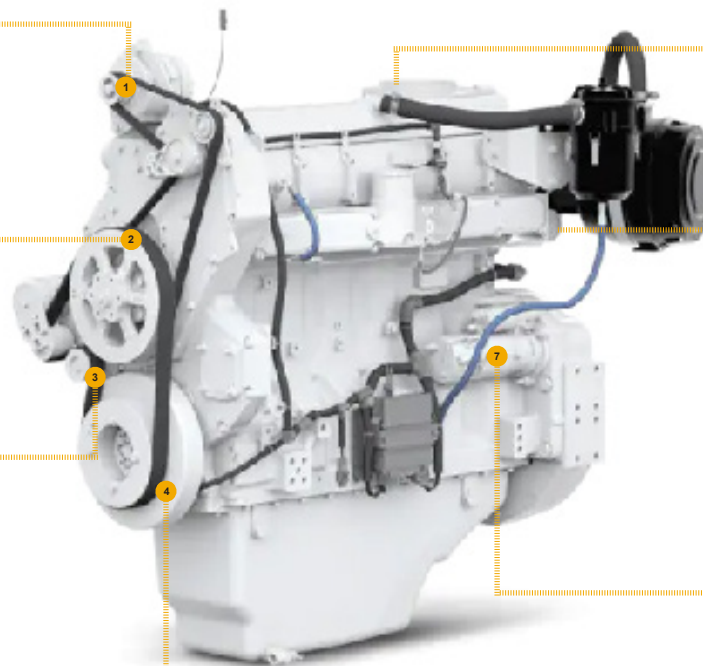
### CRANKSHAFT PULLEY & DAMPER

[RE530733](#) (OD = 361 MM) (6802) (6801)  
[R133879](#) (OD = 205 MM) (1340)  
[R527741](#) (OD = 245 MM) (1341)



### SHORT BLOCK ASSEMBLY

[DZ114431](#)



### OIL FILTER

[RE572785](#) (5934)

500 Hours of operation or every 12 months.



### PRIMARY FUEL FILTER

[RE532952](#) (3549) (3551)

500 Hours of operation or every 12 months.



### SECONDARY FUEL FILTER

[DZ112918](#) (3549) (3551)

500 Hours of operation or every 12 months.



### STARTER MOTOR

[RE515843](#) (12 V) (3008)  
[RE555916](#) (12 V) (3016)  
[RE555915](#) (24 V) (3017)



**JOHN DEERE**

Genuine Parts and Service

# REMAN PARTS GUIDE

## 6135HFM85 PowerTech PT 13.5L OEM Marine Engine (Tier 3)



### CONTROLLER

[SE502948](#) (REMAN FOR [RE520954](#))  
(8429)



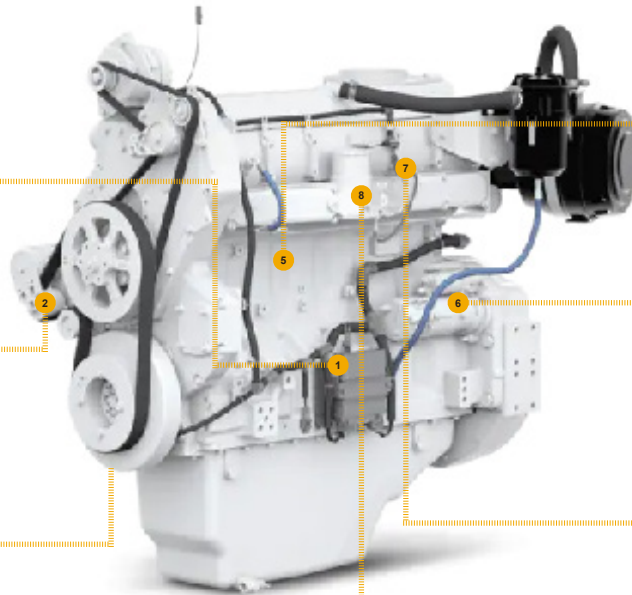
### WATER PUMP

[SE501593](#) (REMAN FOR [RE549117](#))  
(2007)



### OIL PUMP

[SE501594](#) (REMAN FOR [RE527933](#))  
(3002)



### CONNECTING ROD

[SE502276](#) (REMAN FOR [RE535966](#)) (4803)



### STARTER

[SE501862](#) (REMAN FOR [RE515843](#))  
(12V) (3008)



### CYLINDER HEAD

[SE502698](#) (REMAN FOR [RE520563](#)) (5107)



### ELECTRONIC UNIT INJECTOR

[RM100251](#) (REMAN FOR [DZ121294](#)) (1676)



**JOHN DEERE**  
Genuine Parts and Service